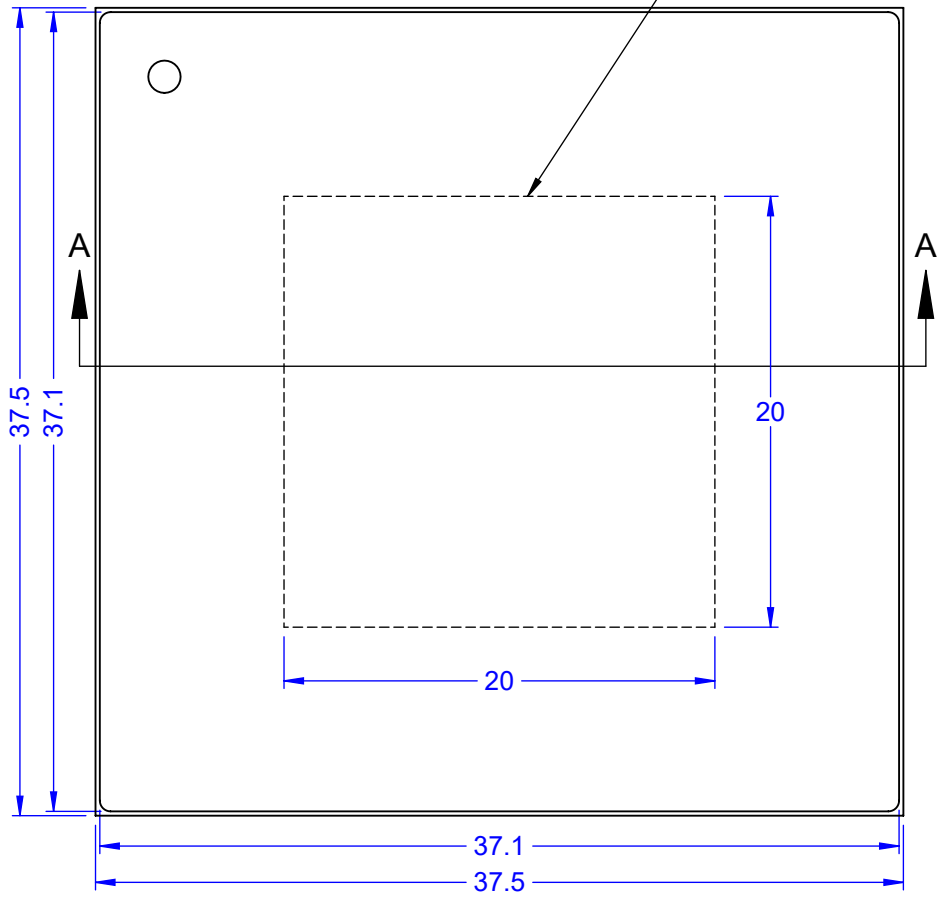
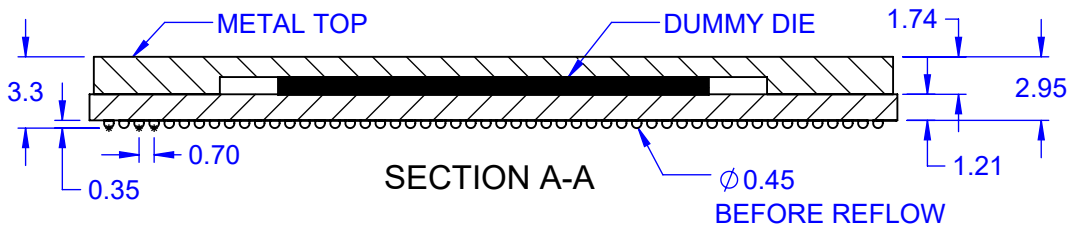
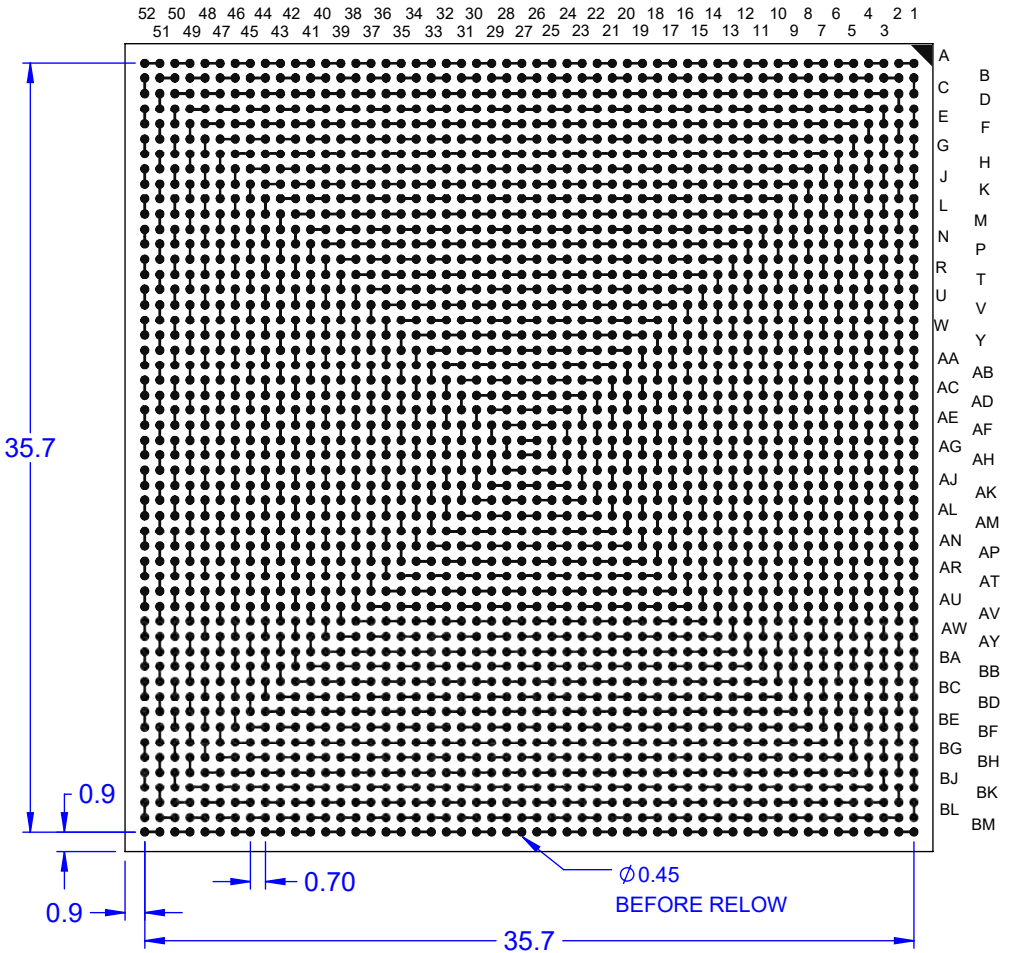


TOP VIEW

OPTIONAL
DUMMY DIE



BALL VIEW




Notes: (Unless Otherwise Specified).

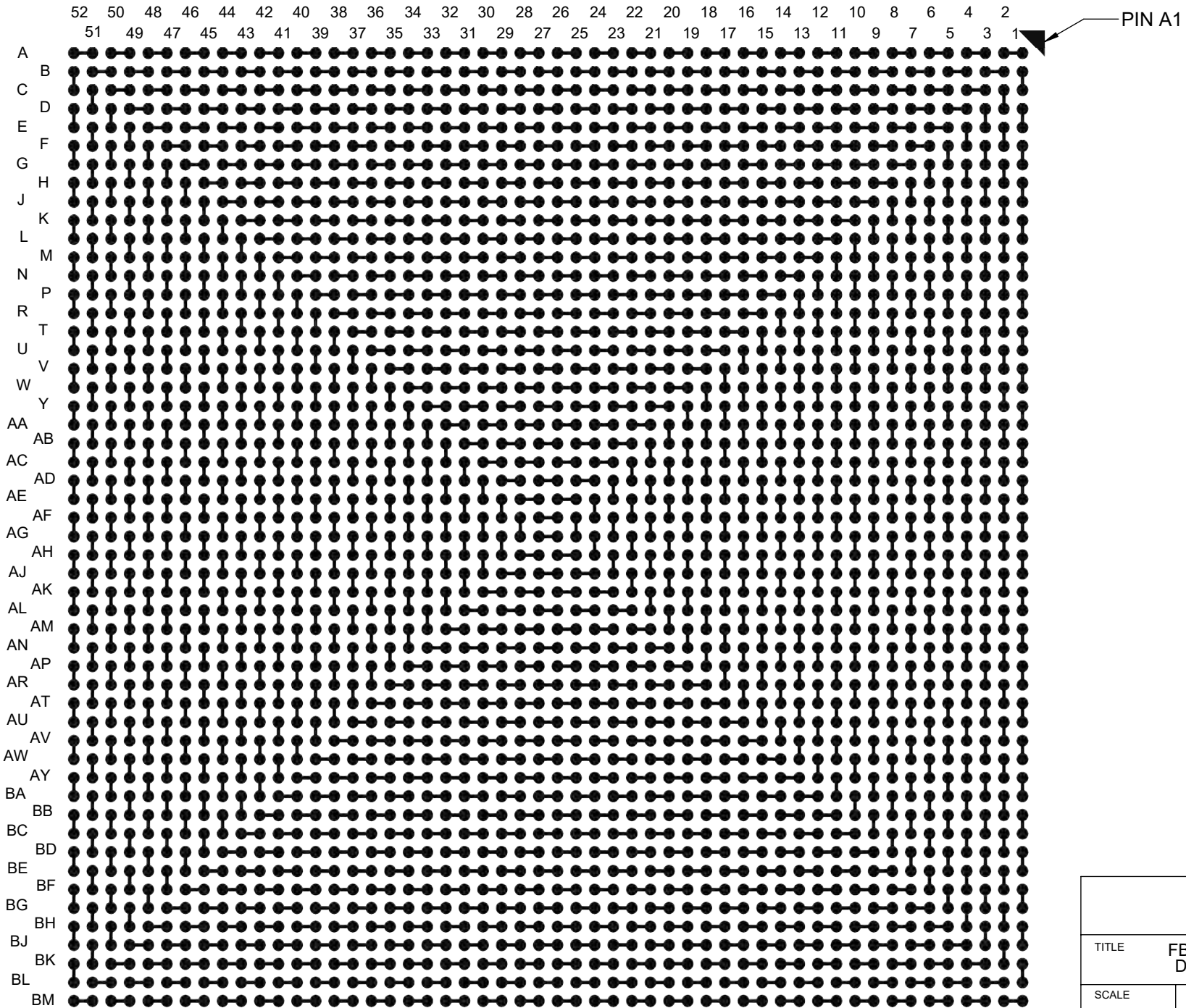
- 1) ALL DIMENSIONS ARE IN MM.
- 2) SOLDER BALL ALLOY: SEE PART NUMBER TABLE.
- 3) BALL DIAMETER (BEFORE REFLOW): 0.45mm (18 MIL).
- 4) SOLDER MASK DEFINED PAD OPENING: 0.356mm (14 MIL).
- 5) PAD Cu DIAMETER: 0.45mm (18 MIL).
- 6) SUBSTRATE MATERIAL: BT ORGANIC.
- 7) DUMMY DIE Si (SILICON) 20 x 20 x .675mm.
- 8) DAISY CHAIN PATTERN (SEE PAGE 2).
- 9) MSL-3 RECOMMENDED BAKING 24 HOURS @ 125°C TO REMOVE MOISTURE PRIOR SOLDERING TO PC BOARD.

PART NUMBER TABLE

PART NUMBER	BALL ALLOY	BALL ALLOY	RoHS	Si DIE
FBGA2704T.7C-DC529D	Sn96.5/Ag3.0/Cu0.5	SAC305	YES	YES
FBGA2704T.7Q-DC529D	Sn92.5 Ag4 Cu0.5 Bi3.0 Ni0.05	SACQ	YES	YES

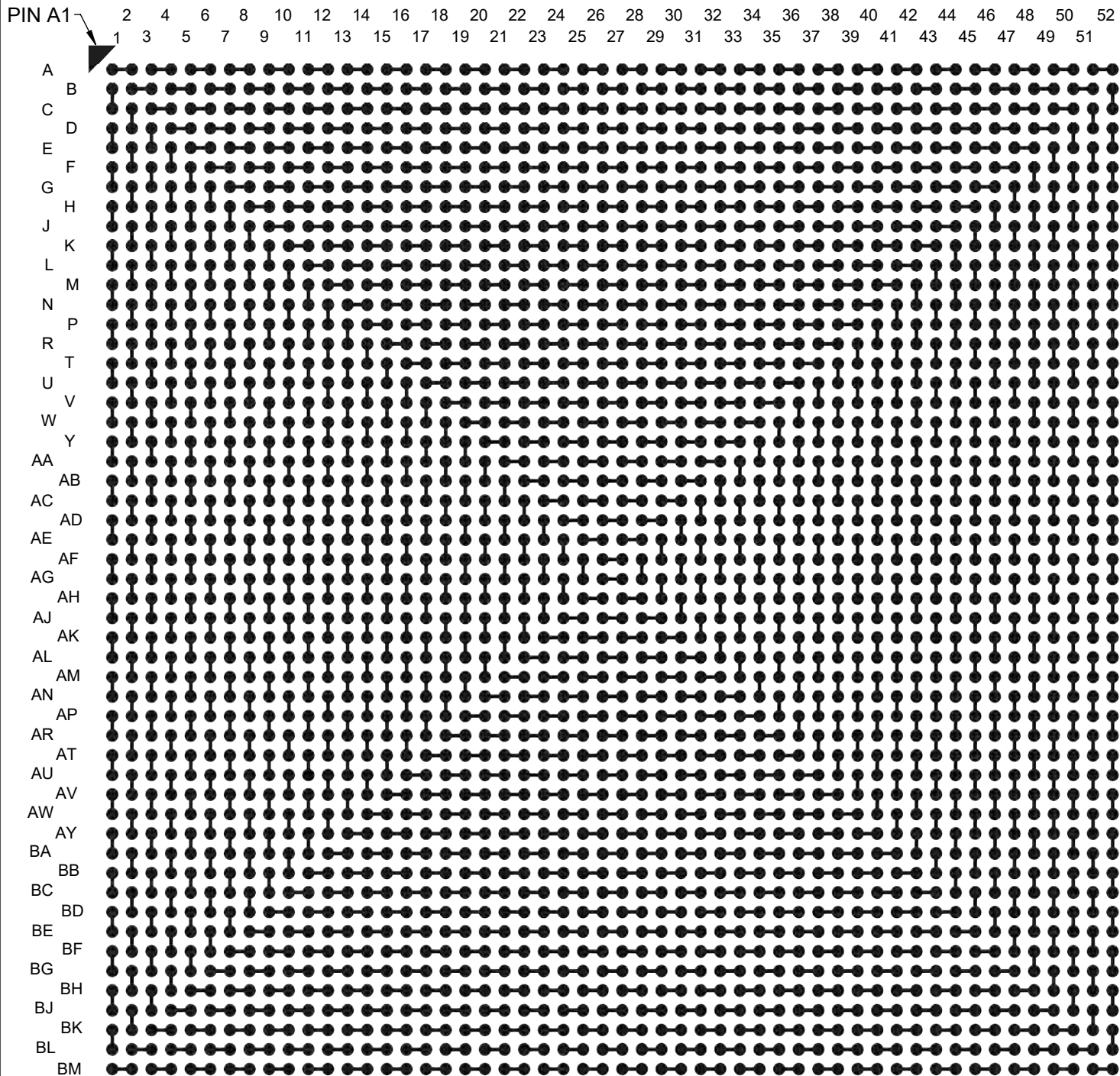
APPROVALS		DATE				
DRAWN	T.Au	6/10/2024				
ENG	M. Hart	6/10/2024	TITLE		FBGA2704T.7C-DC529D DAISY CHAIN DUMMY	
MFG			SCALE	SIZE	DRAWING NO.	REV
QA			1.75:1	A	575290	A
CUST			DO NOT SCALE DRAWING			SHEET 1 OF 8
REVISED						

BALL VIEW



TopLine®			
TITLE FBGA2704T.7C-DC529D DAISY CHAIN DUMMY			
SCALE 3.5:1	SIZE A	DRAWING NO. 575290	REV A
DO NOT SCALE DRAWING		SHEET 2 OF 8	

BOTTOM SIE (TOP X_RAY VIEW)



TopLine®

TITLE FBGA2704T.7C-DC529D
DAISY CHAIN DUMMY

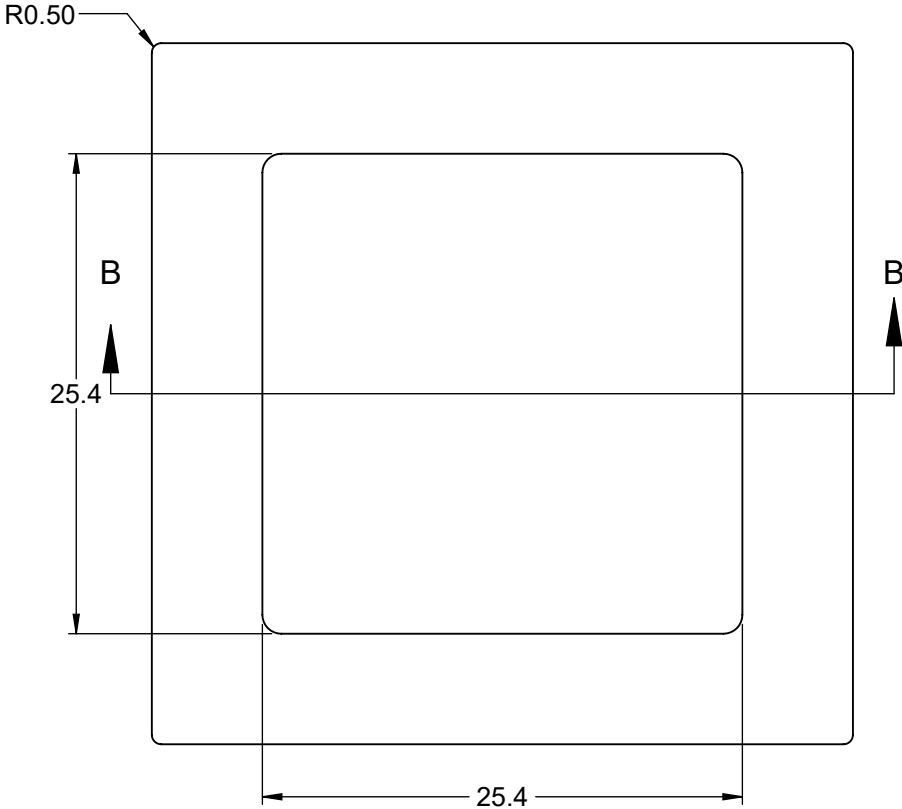
SCALE 3.5:1	SIZE A	DRAWING NO. 575290	REV A
----------------	-----------	-----------------------	----------

DO NOT SCALE DRAWING

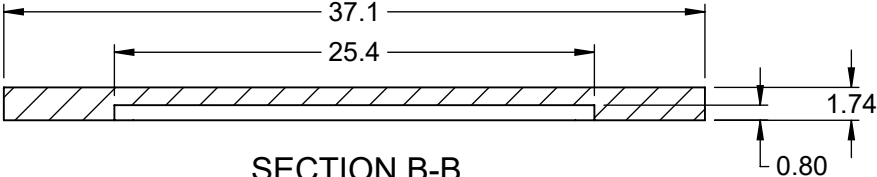
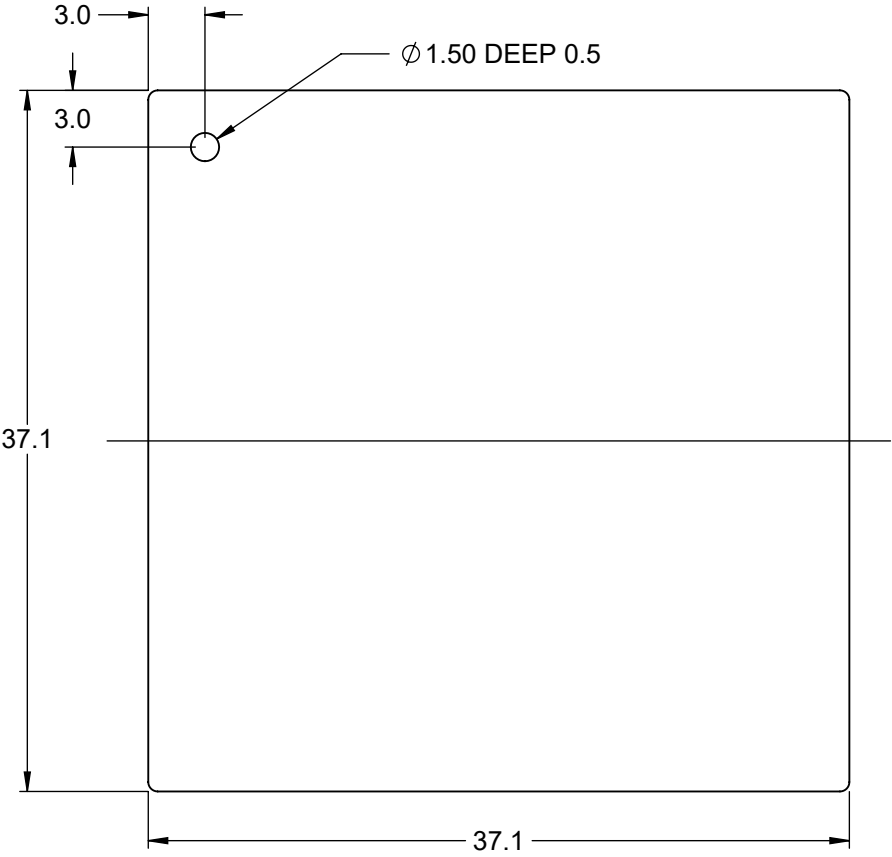
SHEET 3 OF 8

HEAT SPREADER

CAVITY VIEW



TOP VIEW

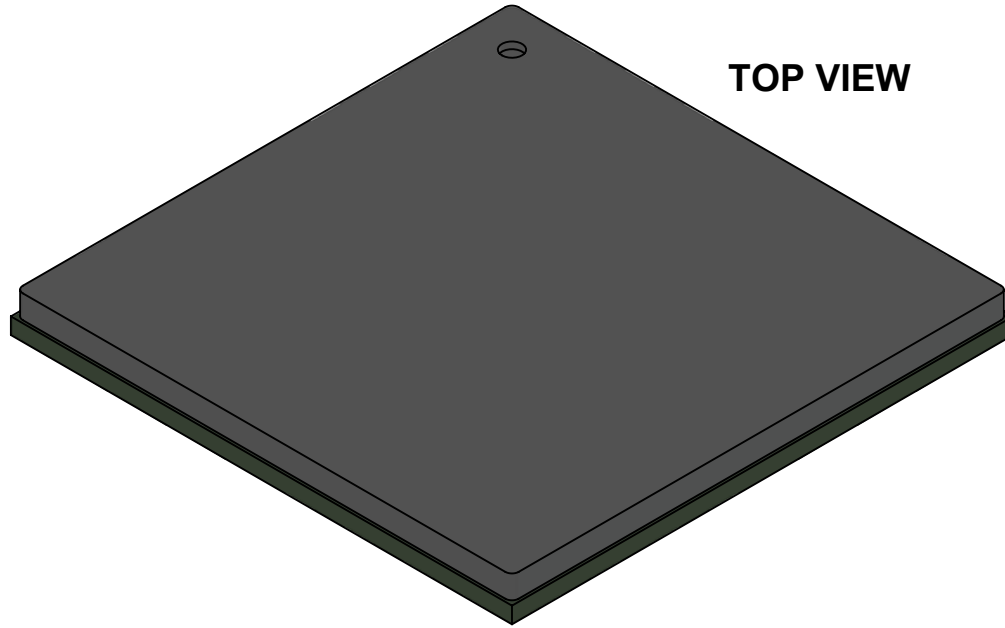


SECTION B-B
SCALE 3 : 1

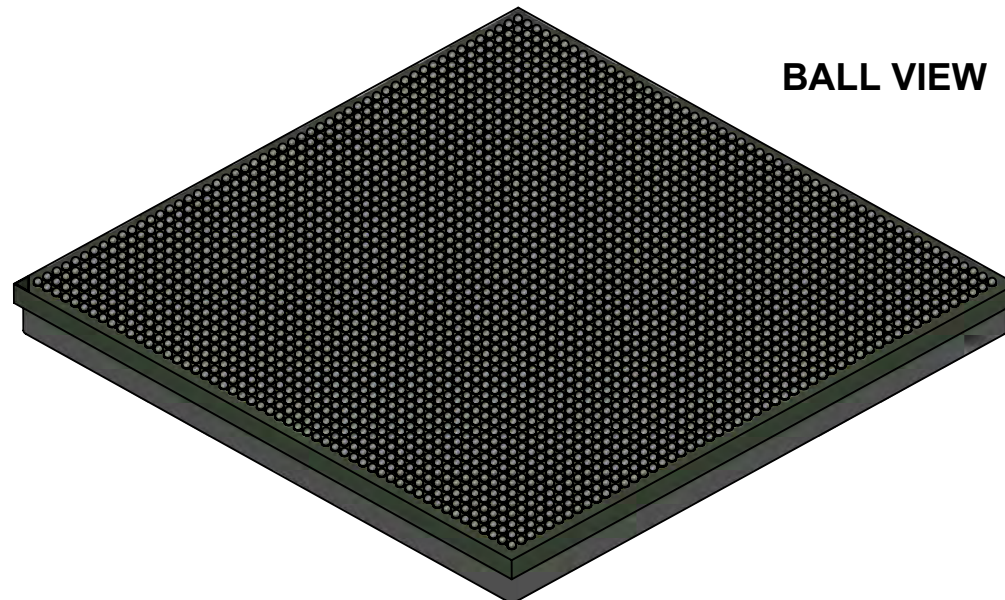
- Notes: (Unless Otherwise Specified).
1. DIMENSIONS MM
 2. MATERIAL: COPPER ALLOY C101, C102 or C110
QUARTER OR HALF HARD OXYGEN FREE
 3. PLATING NICKEL 5um (200u-inch) MIN. SEMI FINISH
 4. TOLERANCE $\pm 0.1\text{mm}$ ($\pm .004\text{-inch}$)

TopLine[®]			
TITLE		FBGA2704T.7C-DC529D DAISY CHAIN DUMMY	
SCALE	SIZE	DRAWING NO.	REV
3:2	A	575290	A
DO NOT SCALE DRAWING			SHEET 4 OF 8

MODEL



TOP VIEW



BALL VIEW

TopLine[®]

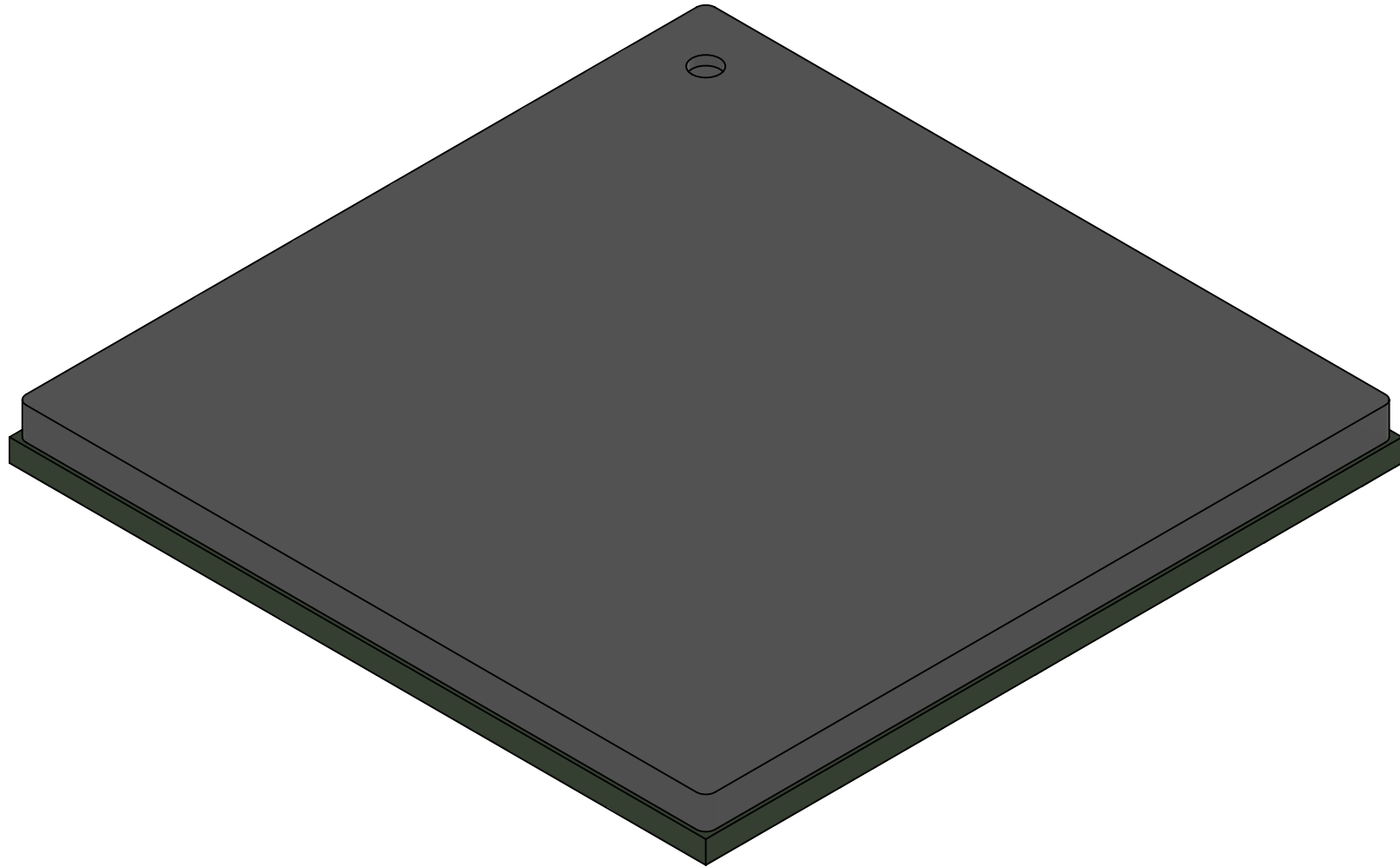
TITLE FBGA2704T.7C-DC529D
DAISY CHAIN DUMMY

SCALE 2:1	SIZE A	DRAWING NO. 575290	REV A
--------------	-----------	-----------------------	----------

DO NOT SCALE DRAWING

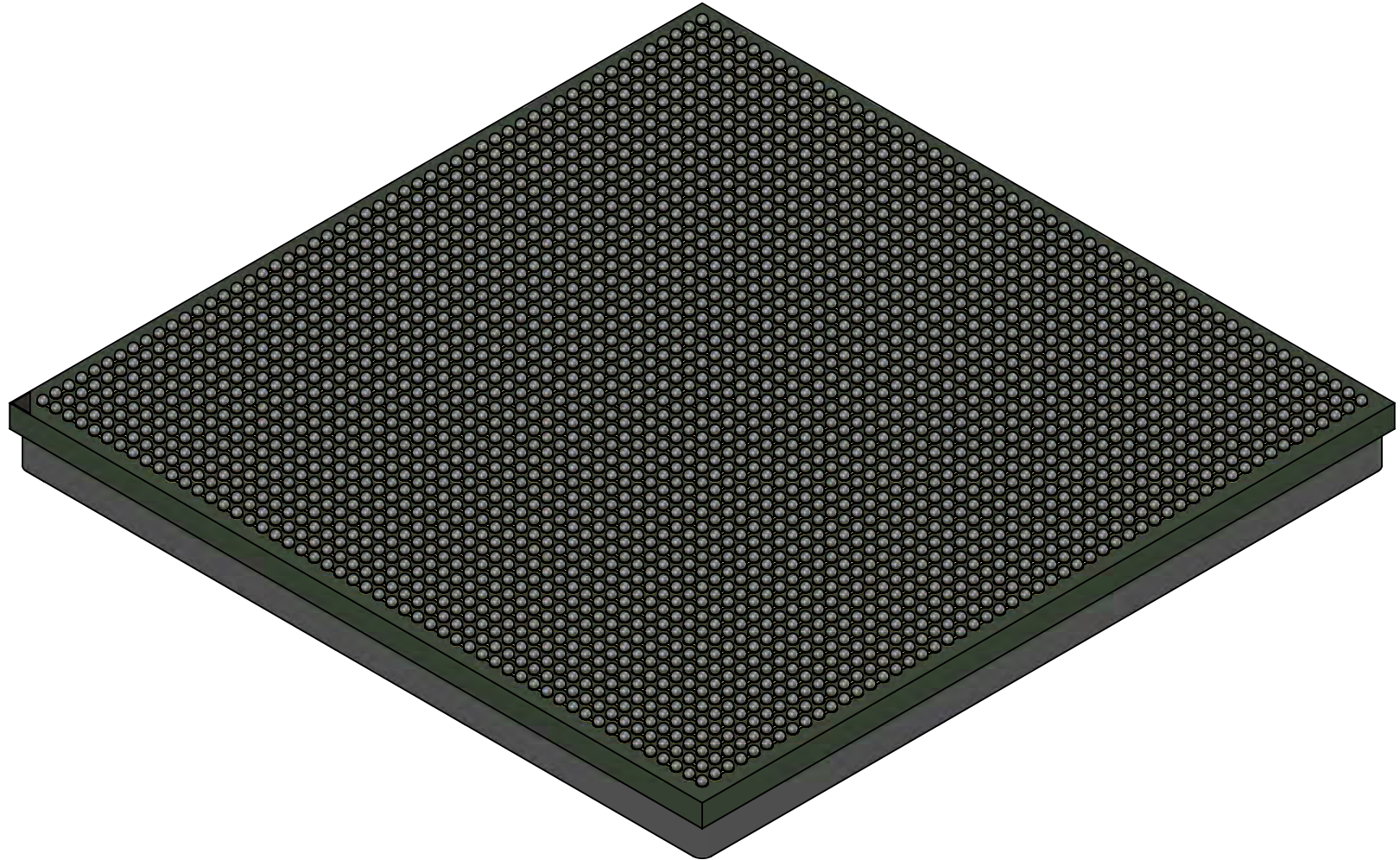
SHEET 5 OF 8

MODEL
TOP VIEW



TopLine[®]			
TITLE		FBGA2704T.7C-DC529D DAISY CHAIN DUMMY	
SCALE	SIZE	DRAWING NO.	REV
3:1	A	575290	A
DO NOT SCALE DRAWING			SHEET 6 OF 8

MODEL
BALL VIEW



TopLine®

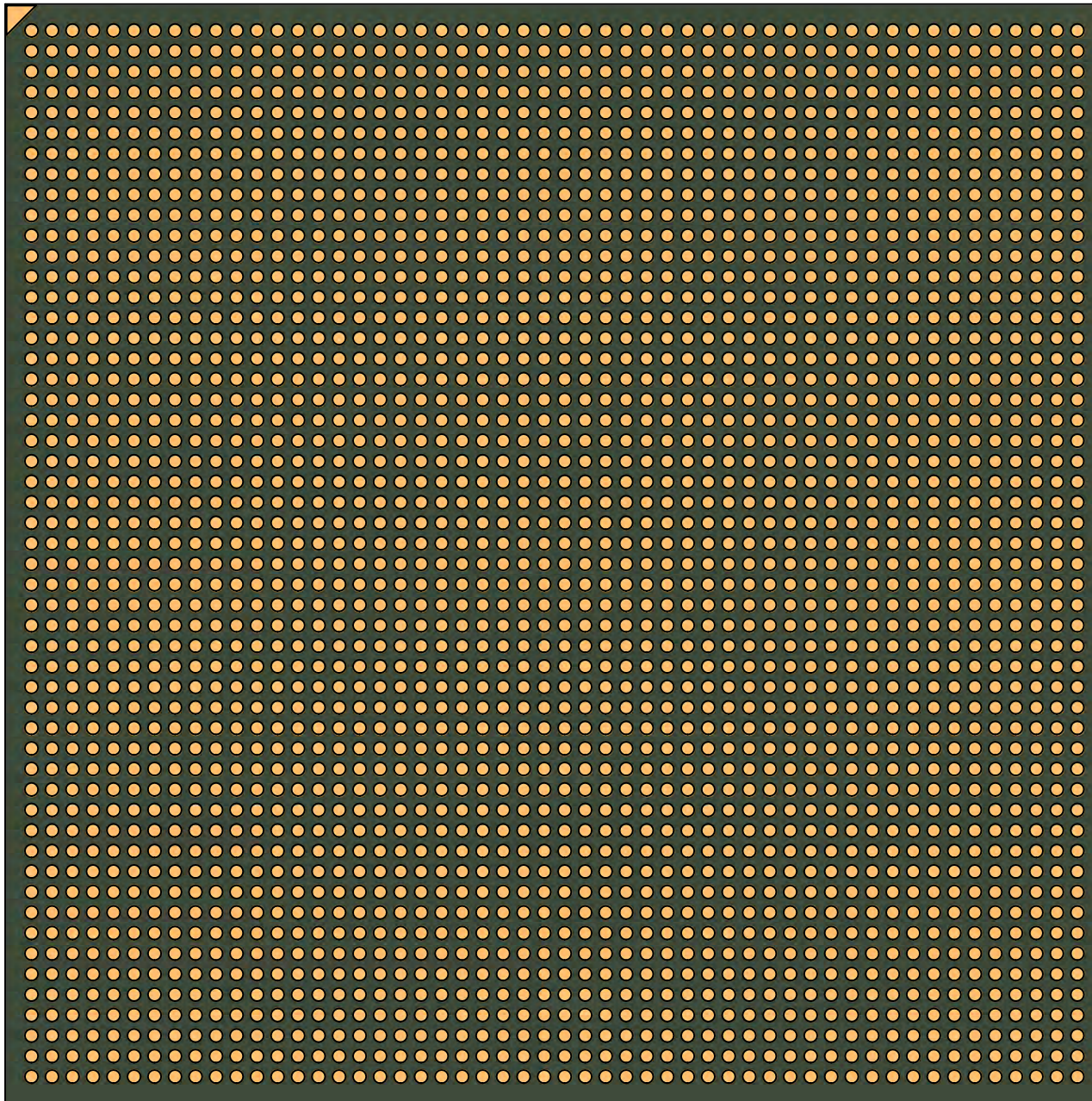
TITLE FBGA2704T.7C-DC529D
DAISY CHAIN DUMMY

SCALE 3:1	SIZE A	DRAWING NO. 575290	REV A
--------------	-----------	-----------------------	----------

DO NOT SCALE DRAWING

SHEET 7 OF 8

BOTTOM SOLDERMASK (RIGHT READING)



TopLine®

TITLE FBGA2704T.7C-DC529D
DAISY CHAIN DUMMY

SCALE 3.5:1	SIZE A	DRAWING NO. 575290	REV A
----------------	-----------	-----------------------	----------

DO NOT SCALE DRAWING

SHEET 8 OF 8