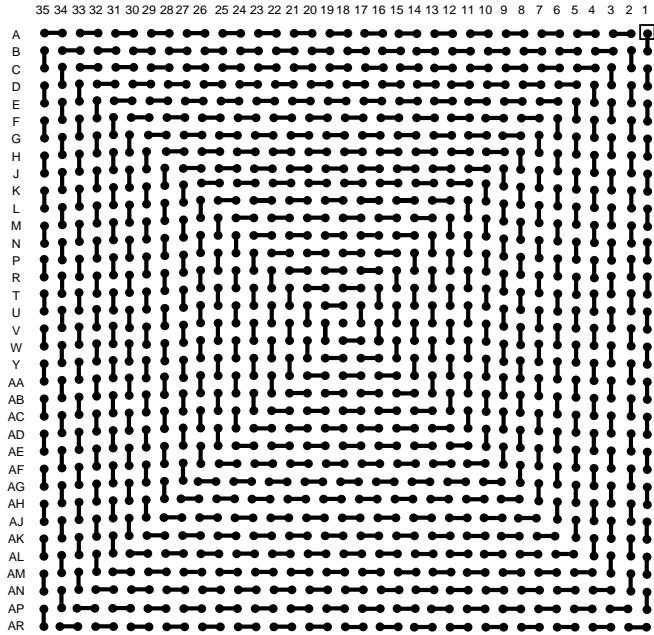
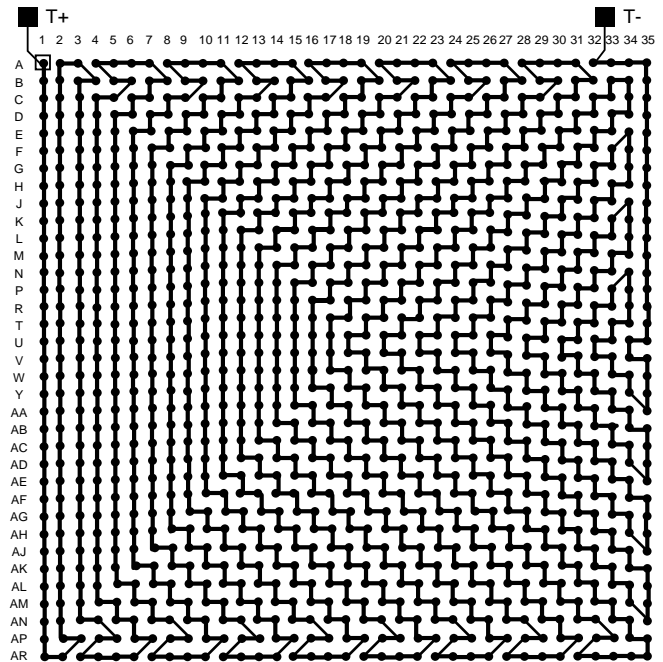
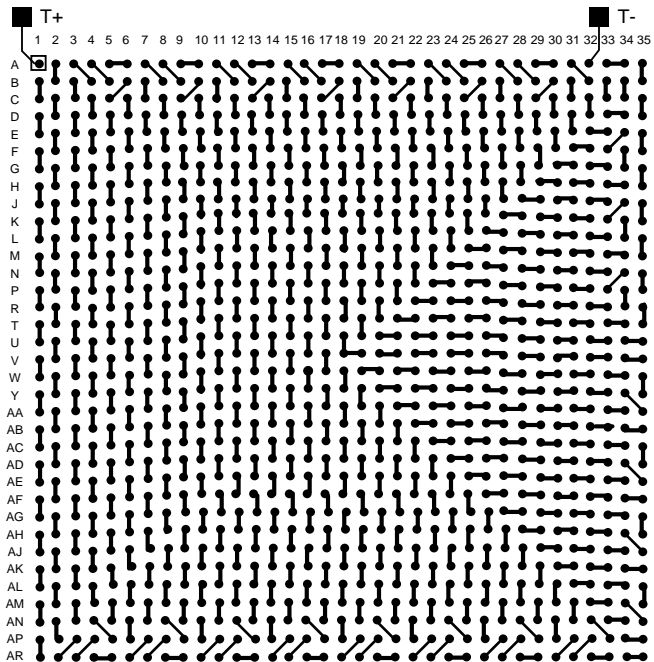
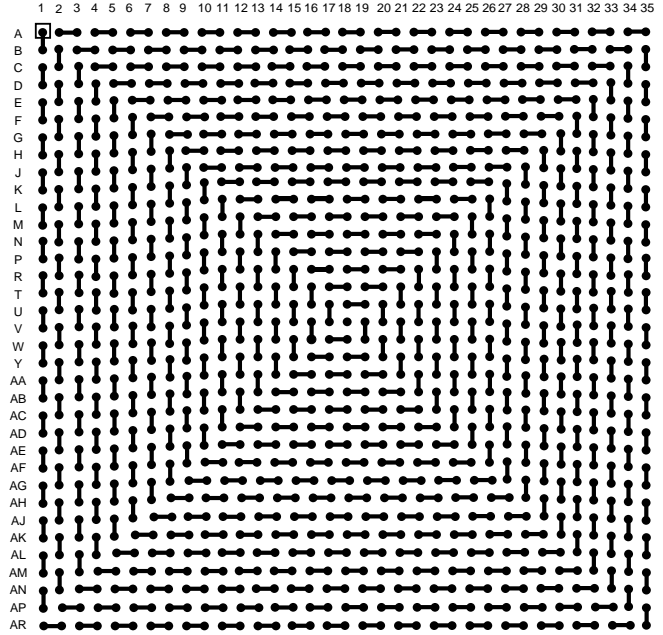


BALLS	PITCH	SIZE	MATRIX	ROWS	CENTER	MAT'L
1225	1.27mm	45mm SQ	35 x 35	full	full	FR4

BALL VIEW



BOTTOM SIDE (TOP X-RAY VIEW)



TEST VEHICLE BOARD

AFTER MOUNTING TO TEST BOARD

eBGA1225T1.27-D359D Lead Free

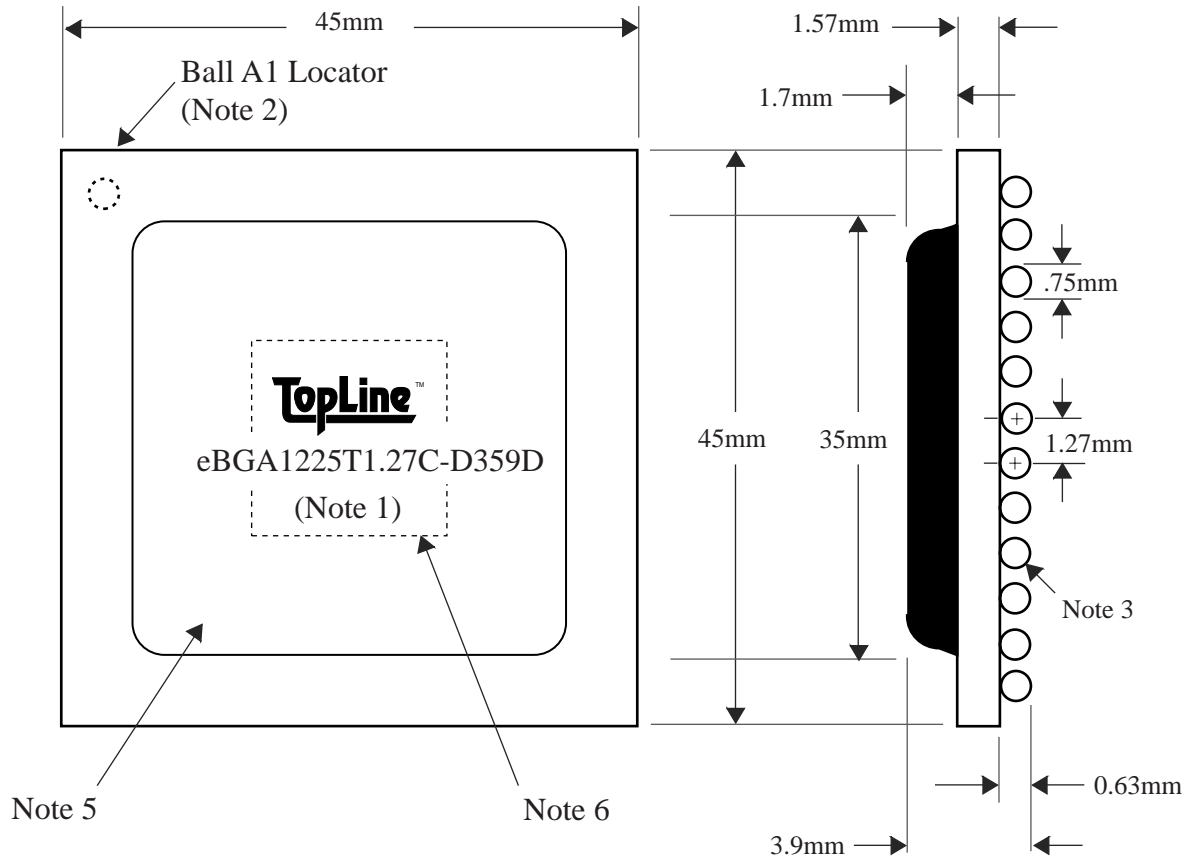


TEL 1-714-898-3830
info@topline.tv

<u>BALLS</u>	<u>PITCH</u>	<u>SIZE</u>	<u>MATRIX</u>	<u>ROWS</u>	<u>CENTER</u>	<u>MAT'L</u>
1225	1.27mm	45mm SQ	35 x 35	full	full	FR4

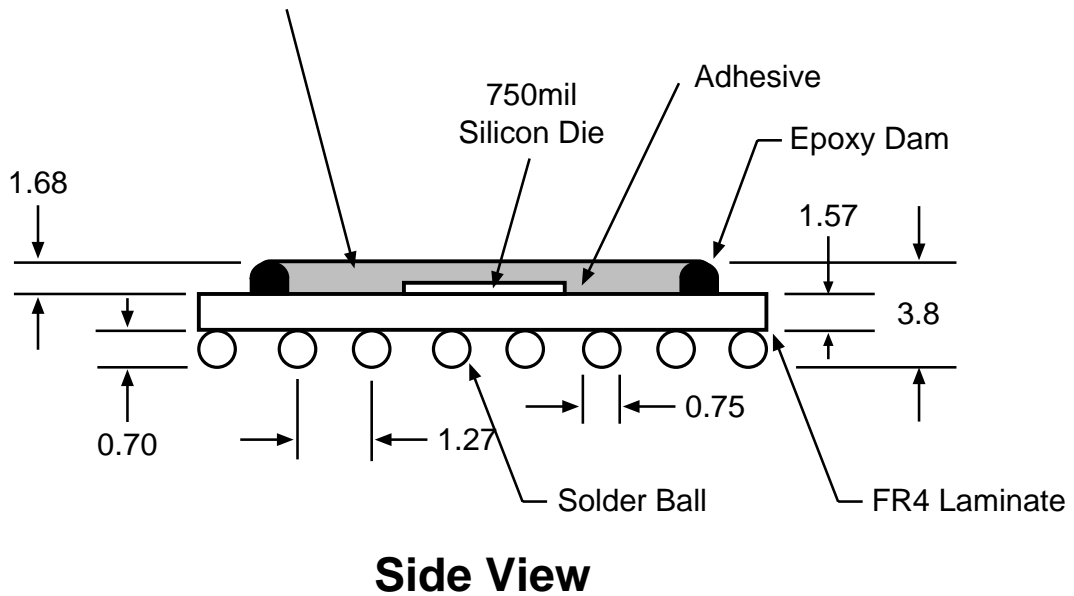
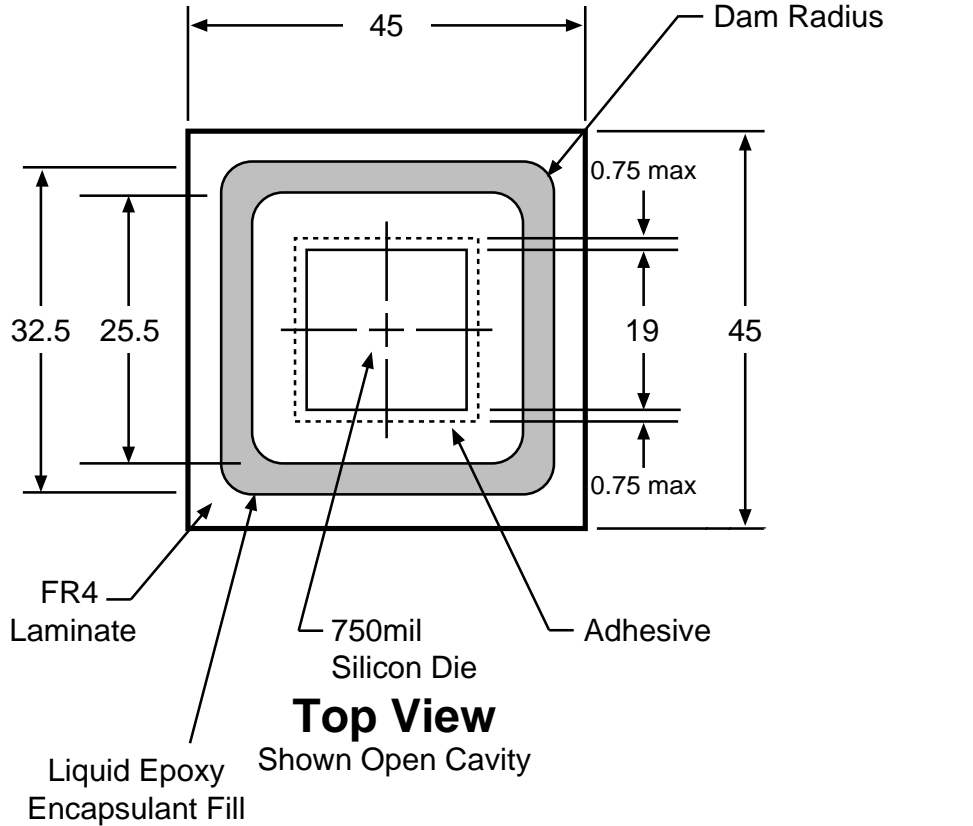
TOP VIEW

SIDE VIEW



NOTES		REVISIONS		
Note 1	Logo and part number centered White ink on black	<u>Rev</u>	<u>Date</u>	<u>Changes</u>
Note 2	Ball A1 locator mark positioned in corner			
Note 3	Ball Material: Sn96.5/Ag3.0/Cu0.5	PACKAGING TRAYS		
Note 4	Substrate Material: FR4 laminate	Tray BGATRAY45mm-2x6		
Note 5	Liquid Epoxy Encapsulation	Tray Quantity 12		
Note 6	Silicon Dummy Die 750mil (19mm)			

**Die Assembly &
Epoxy Fill**



Drawing Not to Scale
Dimensions = mm