
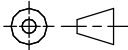
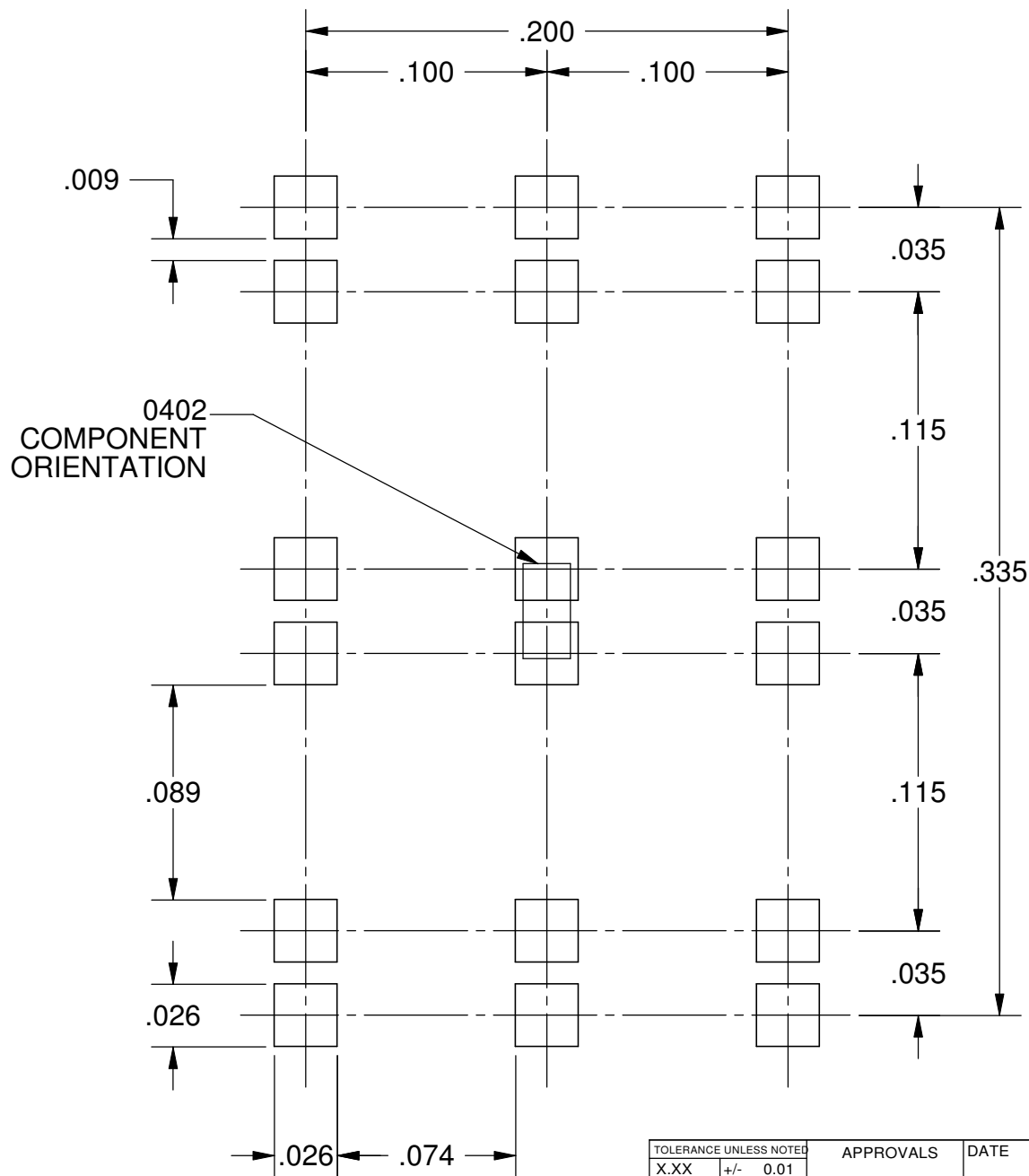



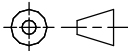
0201 COMPONENT
ORIENTATION

Notes: (Unless Otherwise Specified).
1) DIMENSIONS: INCH.

TOLERANCE UNLESS NOTED		APPROVALS		DATE									
X.XX	+/- 0.01	DRAWN J. Hines		12/28/2010						TITLE 0201 PAD DETAIL			
X.XXX	+/- 0.005	ENG				SCALE 20:1		SIZE A					
X.XXXX	+/- 0.0005	MFG								DO NOT SCALE DRAWING			
ALL DIMENSIONS IN		THIRD ANGLE PROJECTION		REVISED		SHEET 1 OF 1							
<input checked="" type="checkbox"/> INCHES	<input type="checkbox"/> MILLIMETERS												



Notes: (Unless Otherwise Specified).
 1) DIMENSIONS: INCH.

TOLERANCE UNLESS NOTED		APPROVALS		DATE									
X.XX	+/- 0.01	DRAWN J. Hines		12/29/2010						TITLE 0402 PAD DETAIL			
X.XXX	+/- 0.005	ENG				SCALE 14:1		SIZE A					
X.XXXX	+/- 0.0005	MFG								DO NOT SCALE DRAWING			
ANGLES +/- 0.5° ALL DIMENSIONS IN <input checked="" type="checkbox"/> INCHES <input type="checkbox"/> MILLIMETERS		THIRD ANGLE PROJECTION		QA		SHEET 1 OF 1							
		CUST		REVISED									