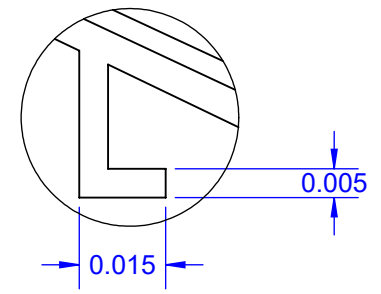
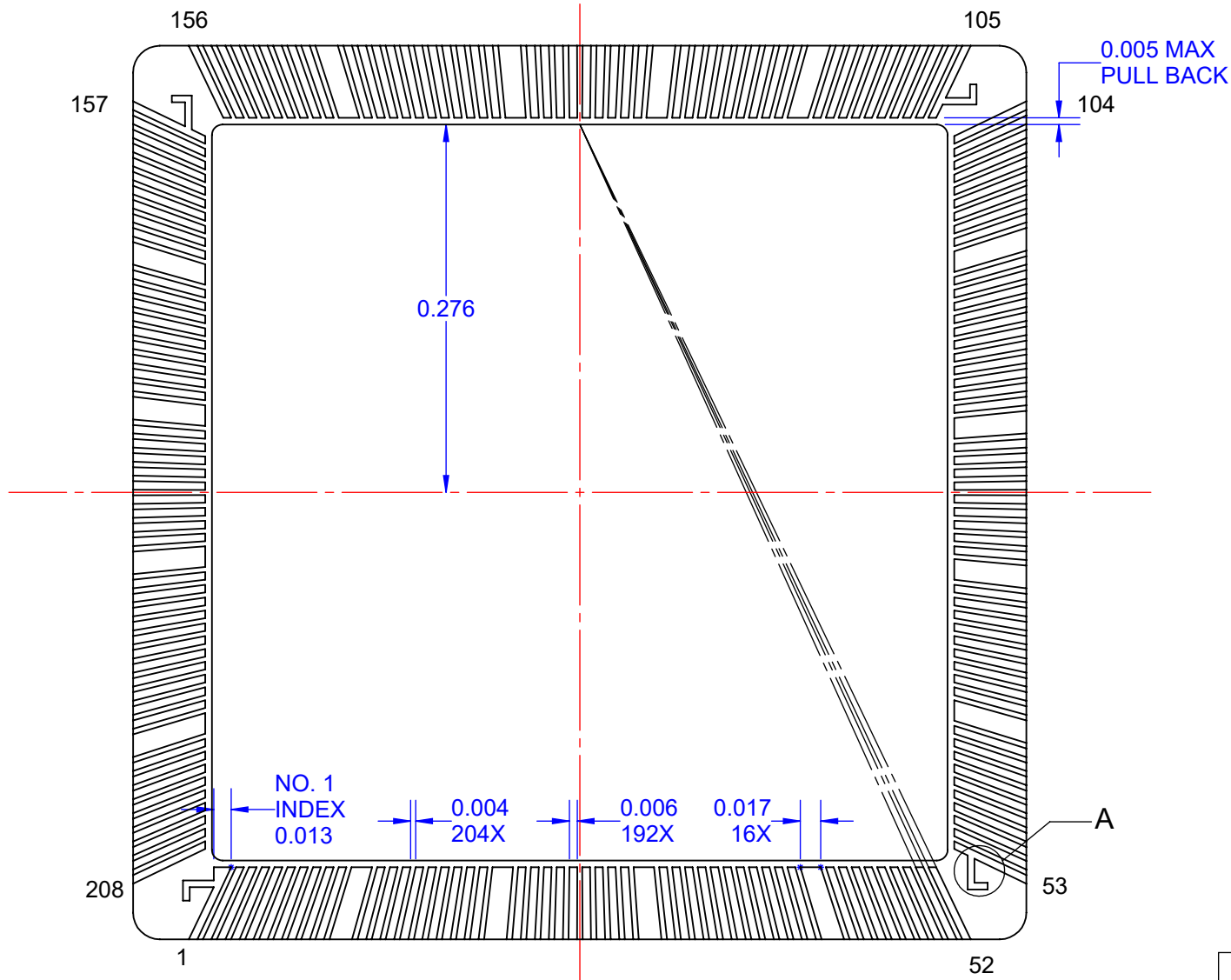




**BOND PAD**



**DETAIL A**  
SCALE 30 : 1

<b>TopLine®</b>			
TITLE CPGA209T17x17-N550 CERAMIC PIN GRID ARRAY			
SCALE 8:1	SIZE A	DRAWING NO. 183870	REV A
DO NOT SCALE DRAWING		SHEET 2 OF 3	

## BOND PAD NET LIST

BOND	PIN	BOND	PIN	BOND	PIN	BOND	PIN	BOND	PIN	BOND	PIN	BOND	PIN	BOND	PIN
1	P4	26	J4	50	D3	75	B8	100	D13	125	H14	150	N15	175	S11
2	P3	27	J3	51	B2	76	A8	101	B15	126	H15	151	P16	176	T11
3	R2	28	J1	52	C3	77	B9	102	C14	127	H16	152	N14	177	P10
4	T1	29	H1	53	D4	78	D9	103	B16	128	H17	153	R16	178	R10
5	P2	30	H2	54	C4	79	C9	104	C15	129	J16	154	P15	179	S10
6	N4	31	H4	55	B3	80	A9	105	D14	130	J14	155	S16	180	T10
7	N3	32	H3	56	A1	81	A10	106	D15	131	J15	156	R15	181	S9
8	S1	33	G1	57	B4	82	B10	107	C16	132	J17	157	P14	182	P9
9	R1	34	G2	58	D5	83	D10	108	A17	133	K17	158	R14	183	R9
10	N2	35	F1	59	C5	84	C10	109	D16	134	K16	159	S15	184	T9
11	M4	36	G3	60	A2	85	A11	110	E14	135	K14	160	T17	185	T8
12	M3	37	G4	61	A3	86	B11	111	E15	136	K15	161	S14	186	S8
13	P1	38	E1	62	B5	87	A12	112	B17	137	L17	162	P13	187	P8
14	M2	39	F2	63	D6	88	C11	113	C17	138	L16	163	R13	188	R8
15	N1	40	D1	64	C6	89	D11	114	E16	139	M17	164	T16	189	T7
16	L4	41	F3	65	A4	90	A13	115	F14	140	L15	165	T15	190	S7
17	L3	42	F4	66	B6	91	B12	116	F15	141	L14	166	S13	191	T6
18	M1		F5	67	A5	92	A14	117	D17	142	N17	167	P12	192	R7
19	L2	43	C1	68	D7	93	C12	118	F16	143	M16	168	R12	193	P7
20	L1	44	E2	69	C7	94	D12	119	E17	144	P17	169	T14	194	T5
21	K4	45	B1	70	A6	95	A15	120	G14	145	M15	170	S12	195	S6
22	K3	46	E3	71	B7	96	B13	121	G15	146	M14	171	T13	196	T4
23	K2	47	D2	72	A7	97	A16	122	F17	147	R17	172	P11	197	R6
24	K1	48	E4	73	D8	98	C13	123	G16	148	N16	173	R11	198	P6
25	J2	49	C2	74	C8	99	B14	124	G17	149	S17	174	T12	199	T3

BOND	PIN
D/A	N/C
S/R	N/C

**TopLine®**

TITLE      CPGA209T17x17-N550  
CERAMIC PIN GRID ARRAY

SCALE 8:1	SIZE A	DRAWING NO. 183870	REV A
--------------	-----------	-----------------------	----------

DO NOT SCALE DRAWING      SHEET 3 OF 3