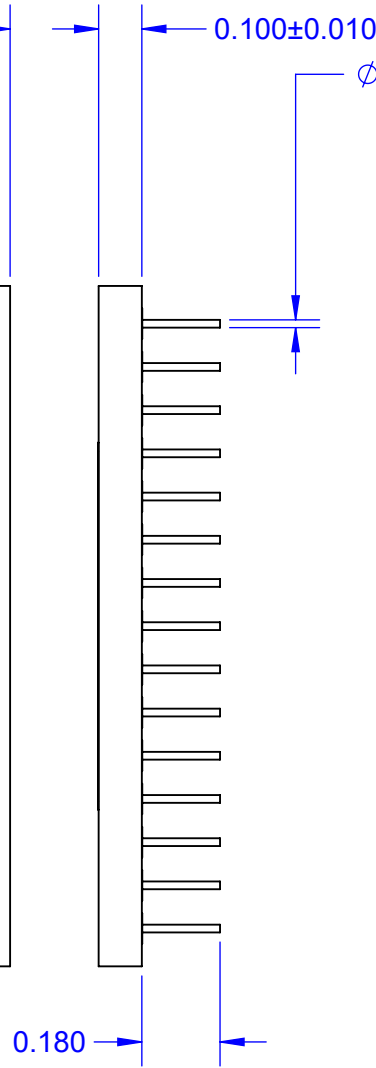
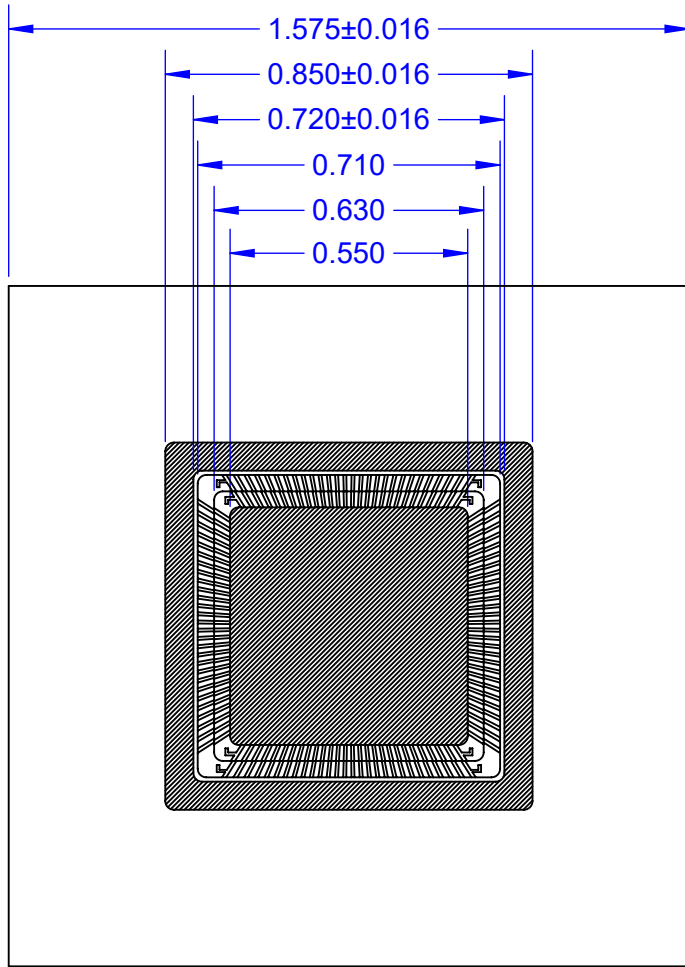
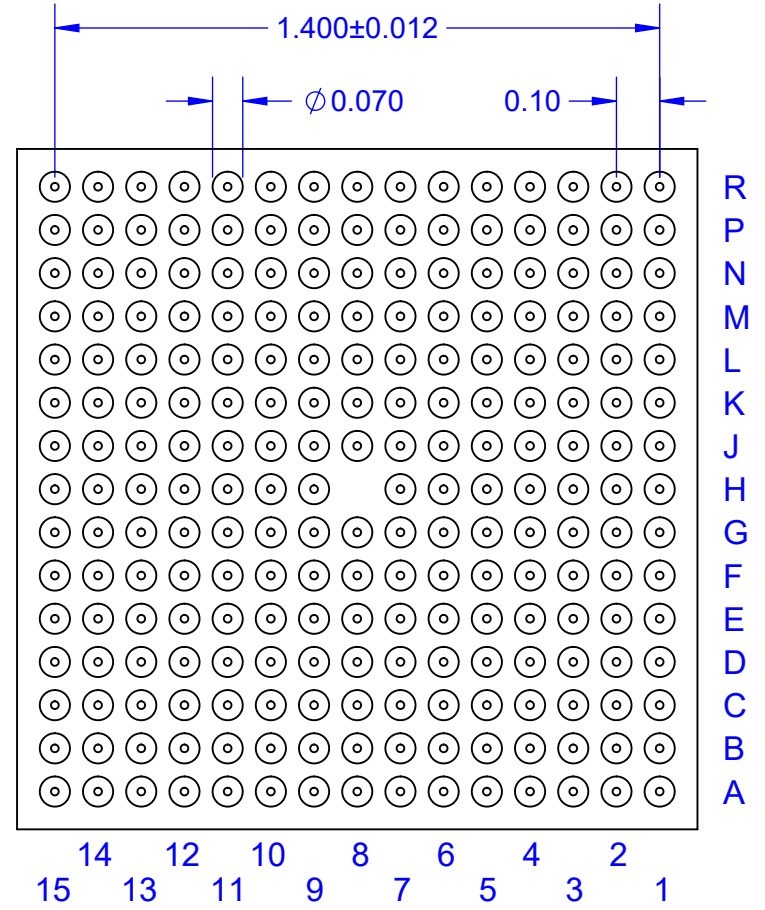


TOP VIEW



BOTTOM VIEW

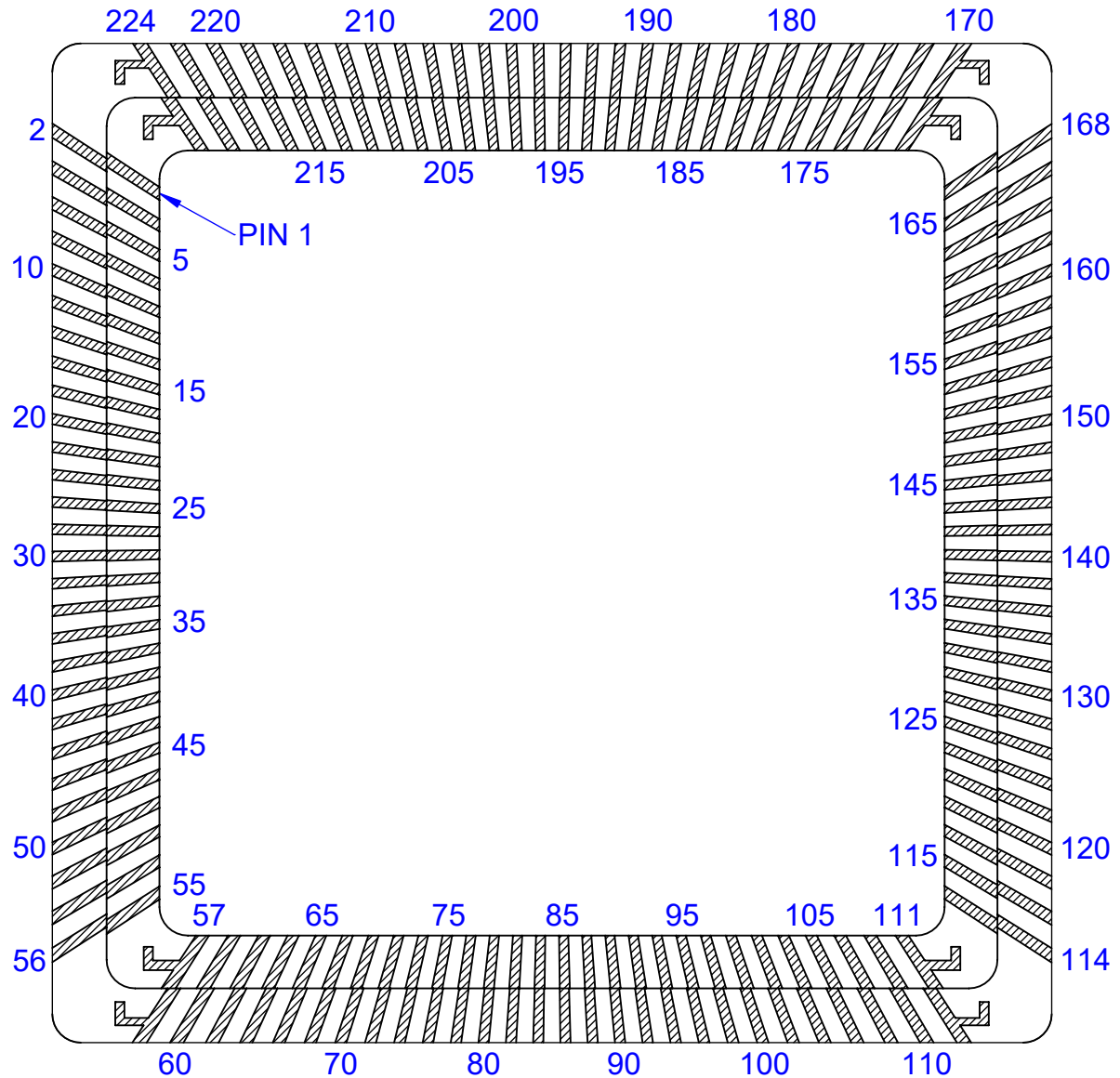


Notes: (Unless Otherwise Specified).

- 1) DIMENSIONS IN inches.
- 2) ALL EXPOSED METAL AND METALLIZED AREA SHALL BE GOLD PLATED 60 MICRO INCH MIN. THK. OVER NICKEL PLATED.
- 3) SEAL AREA AND DIE ATTACH AREA SHALL BE ISOLATED. EXCEPT LEAD 27 ATTACHED TO DIE PAD.

APPROVALS	DATE	TopLine®			
DRAWN T. Au	10/15/15				
ENG M. Hart	10/15/15	TITLE CPGA224T-15x15-N550 CERAMIC PIN GRID ARRAY			
MFG		SCALE 2.5:1	SIZE A	DRAWING NO. 181563	REV A
QA		DO NOT SCALE DRAWING			SHEET 1 OF 4
CUST					
REVISED					

BOND PAD



TITLE			
CPGA224T-15x15-N550 CERAMIC PIN GRID ARRAY			
SCALE	SIZE	DRAWING NO.	REV
8:1	A	181563	A
DO NOT SCALE DRAWING			SHEET 2 OF 4

BOND PAD NET LIST

BOND	PIN NO.	BOND	PIN NO.	BOND	PIN NO.	BOND	PIN NO.	BOND	PIN NO.	BOND	PIN NO.	BOND	PIN NO.	BOND	PIN NO.
1	A15	26	G9	51	D7	76	D4	101	M2	126	P7	151	P10	176	N14
2	A14	27	C9	52	D6	77	E4	102	N2	127	Q8	152	P11	177	M14
3	A13	28	D9	53	D5	78	F4	103	J3	128	P8	153	L7	178	L14
4	A12	29	C8	54	E7	79	E5	104	K3	129	N4	154	K7	179	K14
5	A11	30	D8	55	E6	80	F5	105	L3	130	N5	155	L8	180	N13
6	A10	31	G8	56	F7	81	F6	106	M3	131	N6	156	K8	181	J15
7	B14	32	A7	57	A1	82	G7	107	J4	132	M4	157	P12	182	J14
8	B13	33	A6	58	B1	83	G3	108	K4	133	M5	158	P13	183	H15
9	B12	34	A5	59	C1	84	G4	109	L4	134	M6	159	N9	184	H14
10	B11	35	A4	60	D1	85	H3	110	J5	135	L5	160	N10	185	M13
11	B10	36	A3	61	E1	86	H4	111	K5	136	L6	161	N11	186	L13
12	C13	37	A2	62	F1	87	H7	112	J6	137	K6	162	N12	187	K13
13	A9	38	B7	63	B2	88	J1	113	Q1	138	J7	163	M9	188	M12
14	B9	39	B6	64	C2	89	K1	114	Q2	139	N7	164	M10	189	L12
15	A8	40	B5	65	D2	90	L1	115	Q3	140	M7	165	M11	190	K12
16	B8	41	E9	66	E2	91	M1	116	Q4	141	N8	166	L9	191	L11
17	C12	42	F9	67	F2	92	N1	117	Q5	142	M8	167	L10	192	K11
18	C11	43	E8	68	C3	93	P1	118	Q6	143	J8	168	K9	193	K10
19	C10	44	F8	69	G1	94	J2	119	P2	144	Q9	169	Q15	194	J9
20	D12	45	B4	70	G2	95	K2	120	P3	145	Q10	170	P15	195	J13
21	D11	46	B3	71	H1	96	L2	121	P4	146	Q11	171	N15	196	J12
22	D10	47	C7	72	H2	97	G5	122	P5	147	Q12	172	M15	197	H13
23	E11	48	C6	73	D3	98	G6	123	P6	148	Q13	173	L15	198	H12
24	E10	49	C5	74	E3	99	H5	124	N3	149	Q14	174	K15	199	H9
25	F10	50	C4	75	F3	100	H6	125	Q7	150	P9	175	P14	200	G15

TopLine®

TITLE CPGA224T-15x15-N550
CERAMIC PIN GRID ARRAY

SCALE NONE	SIZE A	DRAWING NO. 181563	REV A
---------------	-----------	-----------------------	----------

DO NOT SCALE DRAWING SHEET 3 OF 4

**BOND PAD
NET LIST
(CONTINUED)**

BOND	PIN NO.
201	F15
202	E15
203	D15
204	C15
205	B15
206	G14
207	F14
208	E14
209	J11
210	J10
211	H11
212	H10
213	D14
214	C14
215	G13
216	F13
217	E13
218	D13
219	G12
220	F12
221	E12
222	G11
223	F11
224	G10

TopLine®

TITLE CPGA224T-15x15-N550
CERAMIC PIN GRID ARRAY

SCALE NONE	SIZE A	DRAWING NO. 181563	REV A
---------------	-----------	-----------------------	----------

DO NOT SCALE DRAWING

SHEET 4 OF 4