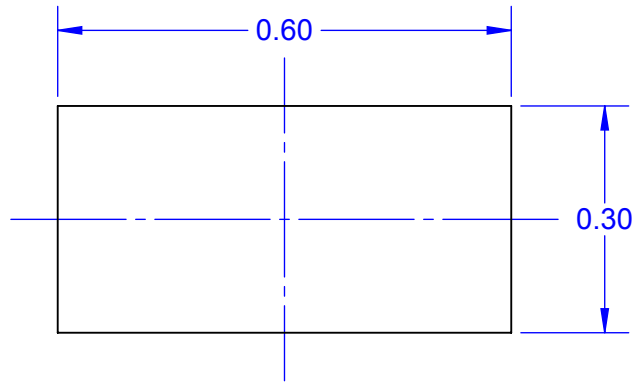
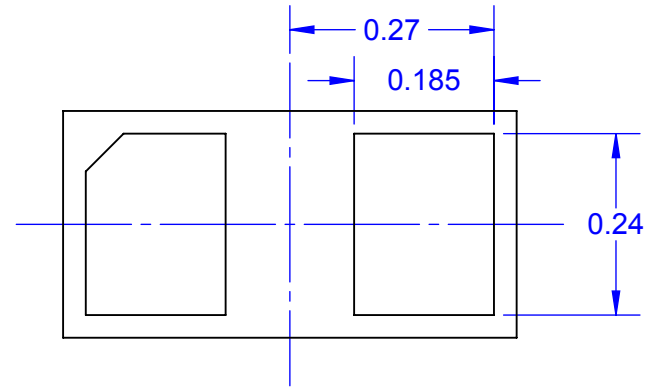


# DFN2-0201 OUTLINE BOTTOM TERMINALS

TOP VIEW



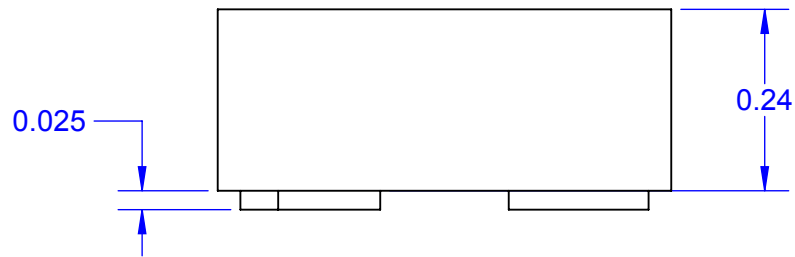
BOTTOM VIEW



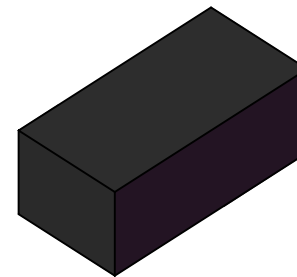
SCHMATIC



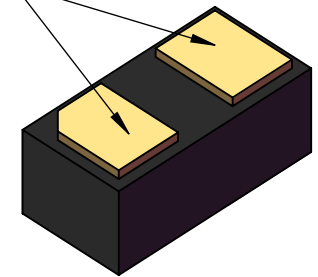
SIDE VIEW



MODEL



Ni-Au Plated



TOP VIEW

BOTTOM VIEW

**PART NUMBER TABLE**

PART NUMBER	CIRCUIT	APPLICATION
DFN2-0201-E7A	STANDARD	DUMMY
DFN2-0201-E7A-ISO	OPEN	SPACER

Notes: (Unless Otherwise Specified)

- 1) DIMENSIONS IN mm.
- 2) LEADFRAME MATERIAL Cu (Copper). 25um THICK.
- 3) PLATING NICKEL-GOLD (Ni 5~8um, Au 0.3um MAX).
- 4) WEIGHT 0.006gm.
- 5) Pb-FREE. RoHS COMPATIBLE.

APPROVALS	DATE	<b>TopLine®</b>			
DRAWN T.Au	01/07/15	<b>DFN2-0201</b>			
ENG M. Hart	01/07/15				
MFG		SCALE	SIZE	DRAWING NO.	REV
QA		100:1	A	130201	A
CUST		DO NOT SCALE DRAWING			SHEET 1 OF 1
REVISED					