



QFP, LQFP, TQFP Tray JEDEC Matrix IC Trays

QFP, LQFP, TQFP IC Matrix Trays Conform to JEDEC Standards

QFP Body Size	Quantity Pockets Per Tray	Matrix Row-Column	JEDEC Reference	Order TopLine Part Number
QFP (MQFP) Tray				
10 x 10mm	96	6 x 16	CS-004AA	QTRAY10mm-6x16
14 x 14mm	84	6 x 14	CS-004AB	QTRAY14mm-6x14
14 x 20mm	66	6 x 11	CS-004AC	QTRAY14x20mm-6x11
28 x 28mm	24	3 x 8	CS-004AD	QTRAY28mm-3x8
32 x 32mm	24	3 x 8	CS-004AE	QTRAY32mm-3x8
40 x 40mm	12	3 x 4	CS-004AF	QTRAY40mm-3x4
LQFP 1.4mm Thickness Tray				
7 x 7mm	250	10 x 25	CS-007AB	LQTRAY7mm-10x25
10 x 10mm	160	8 x 20	CS-007AC	LQTRAY10mm-8x20
12 x 12mm	119	7 x 17	CS-007AJ	LQTRAY12mm-7x17
14 x 14mm	90	6 x 15	CS-007AE	LQTRAY14mm-6x15
14 x 20mm	72	6 x 12	CS-007AF	LQTRAY14x20mm-6x12
20 x 20mm	60	5 x 12	CS-007AG	LQTRAY20mm-5x12
24 x 24mm	40	4 x 10	CS-007AH	LQTRAY24mm-4x10
28 x 28mm	36	4 x 9	CS-007AJ	LQTRAY28mm-4x9
TQFP 1.0mm Thickness Tray				
5 x 5mm	360	12 x 30	CS-007AA	LQTRAY5mm-12x30
7 x 7mm	250	10 x 25	CS-007AB	TQTRAY7mm-10x25
10 x 10mm	160	8 x 20	CS-007AC	TQTRAY10mm-8x20
12 x 12mm	119	7 x 17	CS-007AJ	TQTRAY12mm-7x17
14 x 14mm	90	6 x 15	CS-007AE	TQTRAY14mm-6x15
20 x 20mm	60	5 x 12	CS-007AG	TQTRAY20mm-5x12
BQFP (PQFP) Bumper QFP Tray				
100 Pin	55	5 x 11	CS-002AC	BQTRAY100-5x11
132 Pin	36	4 x 9	CS-002AD	BQTRAY132-4x9

Optional Features:

Specify max temperature: 125°C, 140°C, 150°C, 180°C when ordering.

Specify height of TQFP component when ordering.

Normal tray color is Black.



**JEDEC Matrix Trays
X, Y and Step Dimensions
See Drawing Last Page**

Dimensions in mm

TopLine does not guarantee accuracy of this list.

QFP, TQFP, LQFP

Metric Type	JEDEC Standard	Var	QFP Body Size	columns N1	Rows N2	Cells N3	From Corner (+X) M	From Corner (-Y) M1	-Y step M2	+X Step M3
TQFP	CS-007	AA	5mm Square	12	30	360	10.20	11.05	10.10	10.50
TQFP	CS-007	AB	7mm Square	10	25	250	11.25	11.10	12.20	12.60
QFP	CS-004	AA	10mm Square	6	16	96	18.30	17.25	18.70	19.86
TQFP	CS-007	AC	10mm Square	8	20	160	13.00	13.10	15.20	15.70
TQFP	CS-007	AJ	12mm Square	7	17	119	13.95	14.30	17.90	18.00
QFP	CS-004	AB	14mm Square	6	14	84	15.45	17.75	21.50	21.00
TQFP	CS-007	AE	14mm Square	6	15	90	15.45	15.40	20.30	21.00
TQFP	CS-007	AG	20mm Square	5	12	60	17.55	17.80	25.40	25.20
TQFP	CS-007	AH	24mm Square	4	10	40	20.70	20.70	30.40	31.50
QFP	CS-004	AD	28mm Square	3	8	24	30.93	27.93	37.02	37.02
TQFP	CS-007	AJ	28mm Square	4	9	36	19.65	28.70	32.20	32.20
QFP	CS-004	AE	32mm Square	3	8	24	26.57	25.13	37.82	41.38
QFP	CS-004	AF	40mm Square	2	6	12	29.22	31.10	50.56	77.46
QFP	CS-004	AC	14mm x 20mm	6	11	66	15.45	22.50	27.00	21.00
TQFP	CS-007	AF	14mm x 20mm	6	12	72	15.45	17.80	25.40	21.00

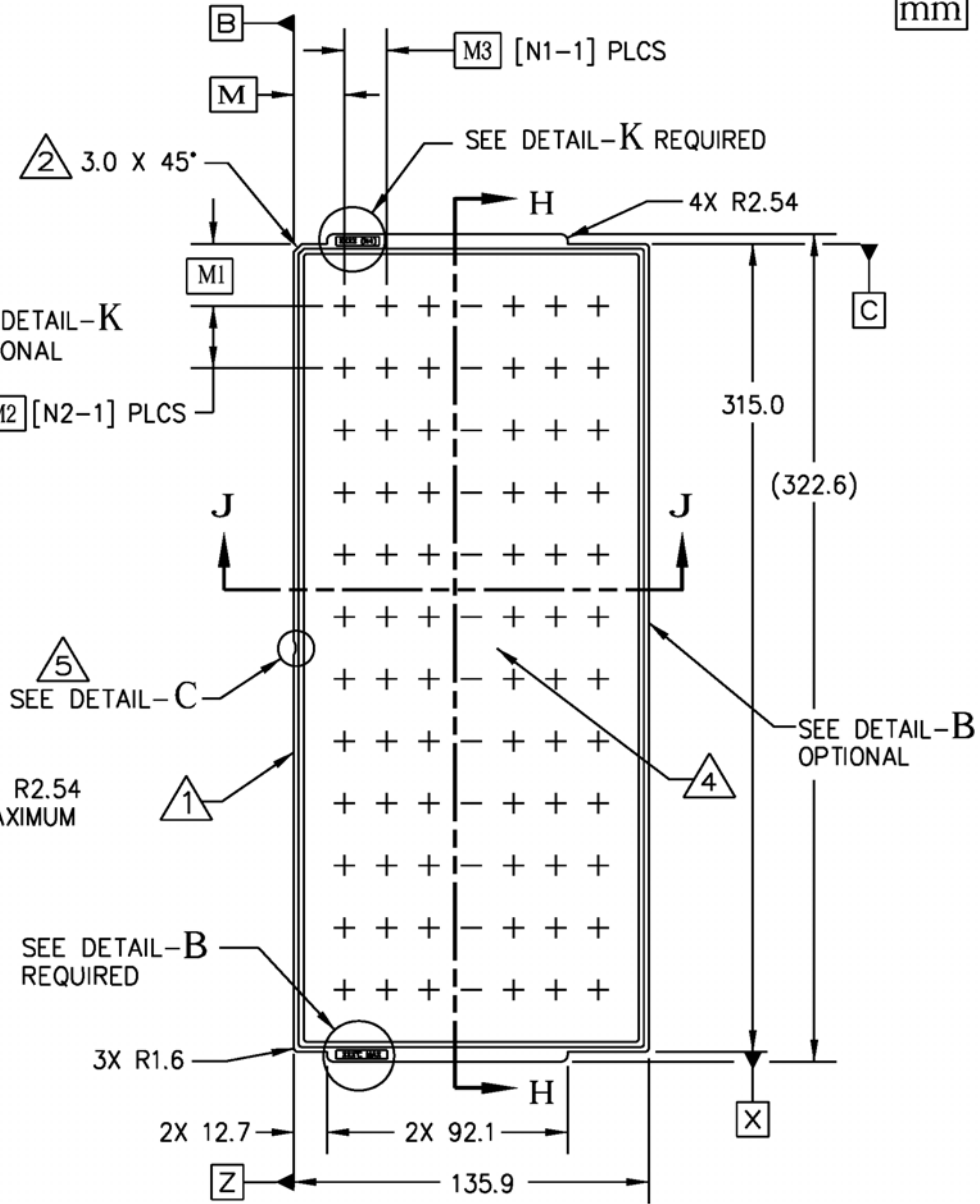
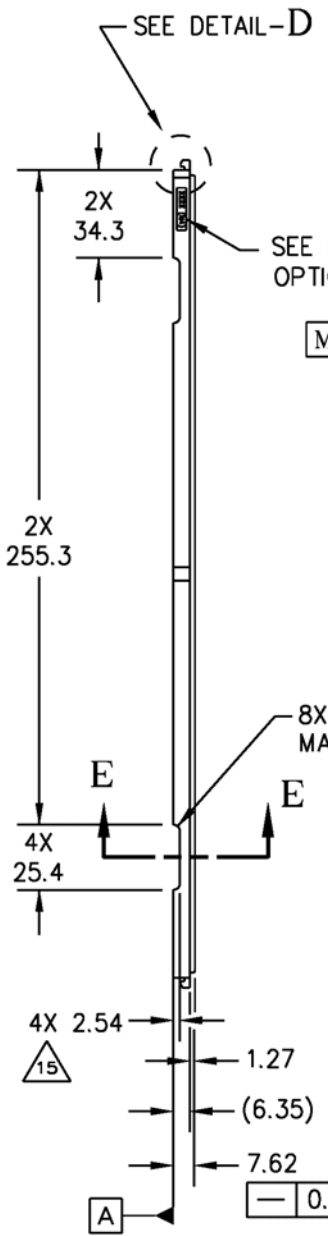
BQFP

Bumpered Type	JEDEC Standard	Var	Size Lead Count	columns N1	Rows N2	Cells N3	From Corner (+X) M	From Corner (-Y) M1	-Y step M2	+X Step M3
			BQFP - PQFP							
BQFP	CS-002	AC	100 PIN	5	11	55	17.81	19.05	27.69	25.07
BQFP	CS-002	AD	132 PIN	4	9	36	20.94	23.98	33.38	31.34

Typical JEDEC Outline

mm

L. SIDE VIEW



PLAN VIEW



TopLine Corporation
95 Highway 22 W
Milledgeville, GA 31061, USA
Toll Free USA/Canada (800) 776-9888
International: 1-478-451-5000 • Fax: 1-478-451-3000
Email: sales@topline.tv

©2020 TopLine. All Rights Reserved.