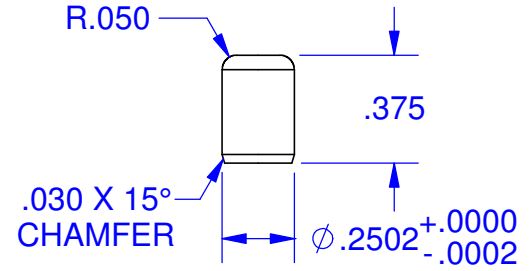
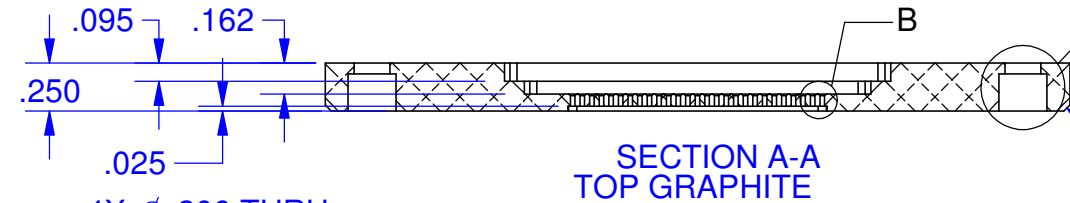


SIDE VIEW

ALIGNMENT PIN DETAIL
SCALE = 3:2

P
SEE SHEET 3



SECTION A-A
TOP GRAPHITE

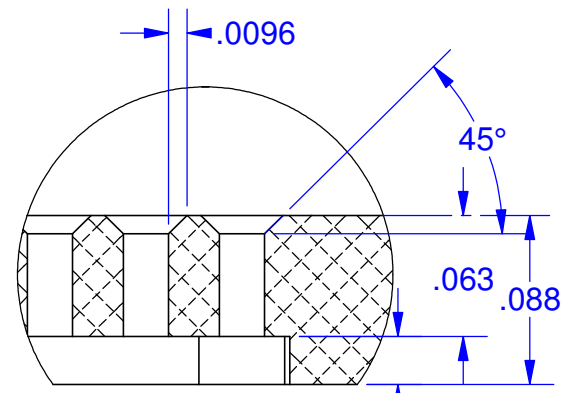
$\phi .031$ X 45°
CHAMFER

$\phi .067$ THRU ALL

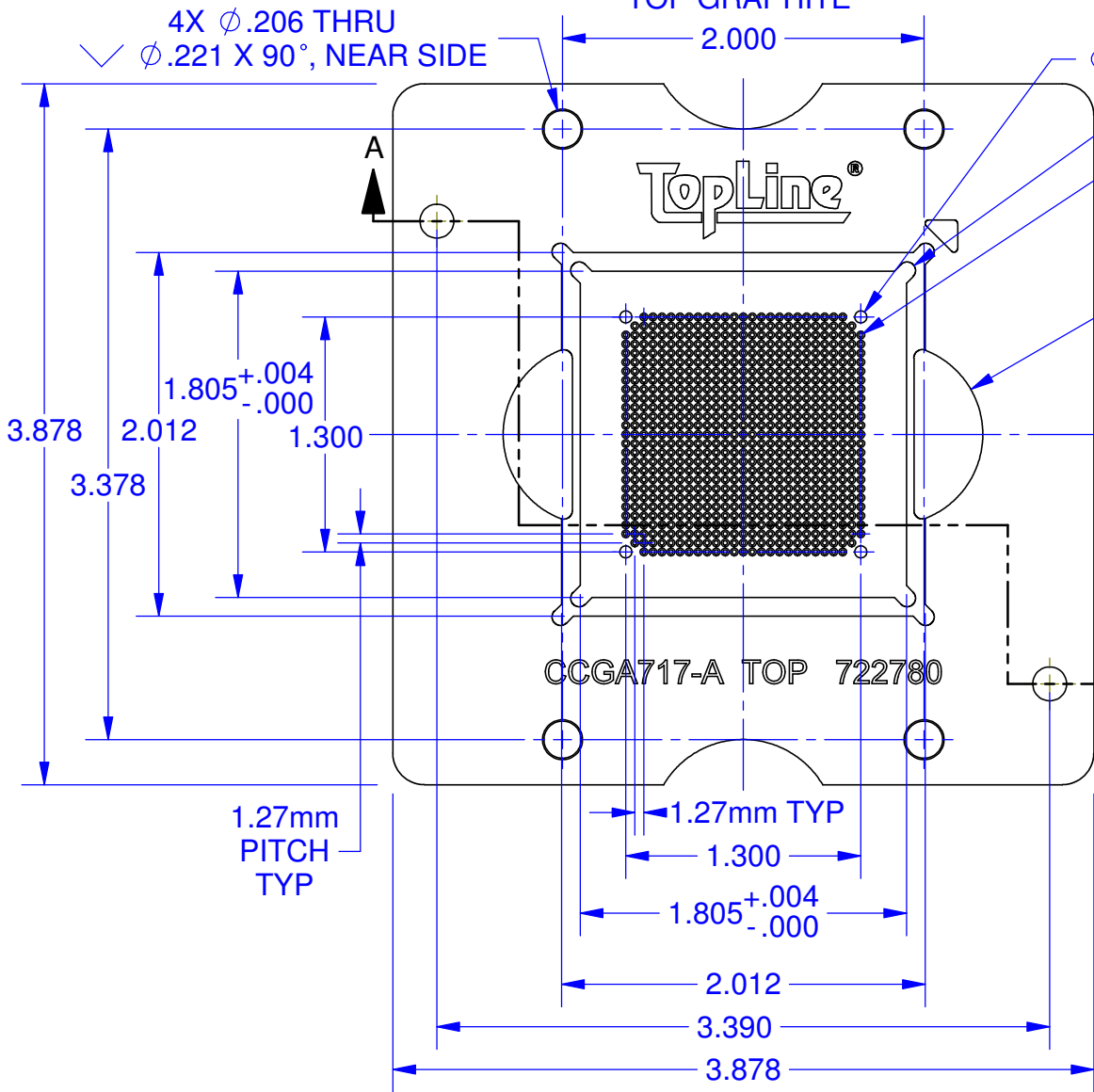
8X R.047

4X R.500

717 X $\phi .024$ THRU ALL
 $\checkmark \phi .043$ X 90° NEAR SIDE



DETAIL B
SCALE 10 : 1

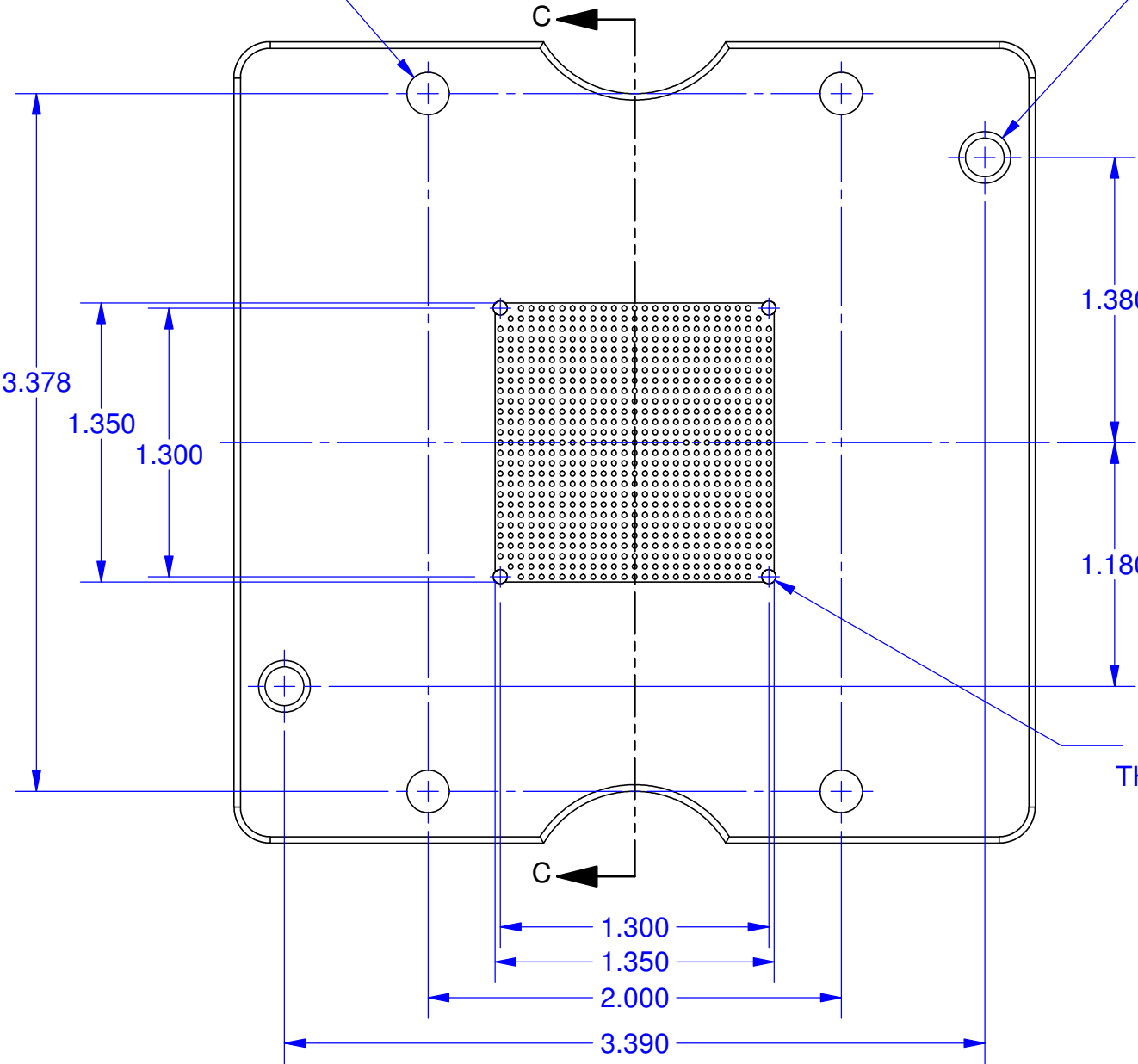


NOTES: (UNLESS OTHERWISE SPECIFIED).
1) DIMENSIONS: INCH [MM].

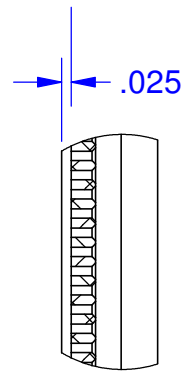
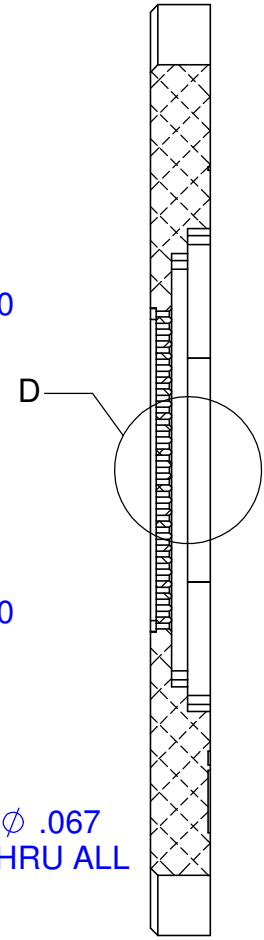
APPROVALS		DATE				
DRAWN	R. Le	8/14/2018				
ENG	M. Hart	8/14/2018	TITLE C7-GRAPHITE-717-A GRAPHITE TOOL			
MFG			SCALE 1:1	SIZE A	DRAWING NO. 722780	REV A
QA						
CUST			DO NOT SCALE DRAWING		SHEET 1 OF 14	
REVISED						

**BOTTOM VIEW
TOP GRAPHITE**

ϕ .206 THRU ALL



ϕ .188 THRU ALL
 \square ϕ .2503^{+0.0002}_{-.0000} ∇ .193



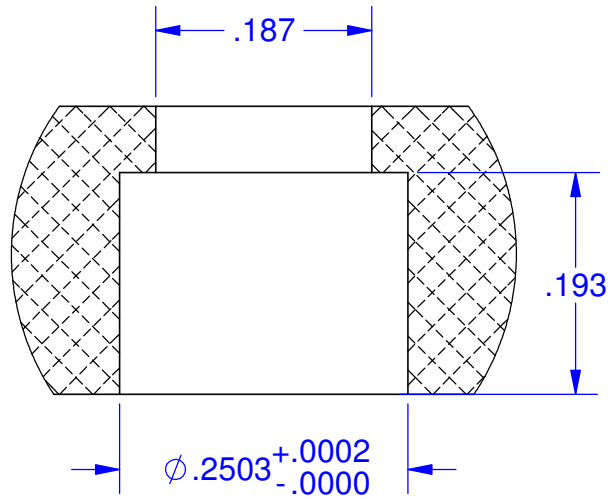
**DETAIL D
SCALE 2 : 1**

ϕ .067
THRU ALL

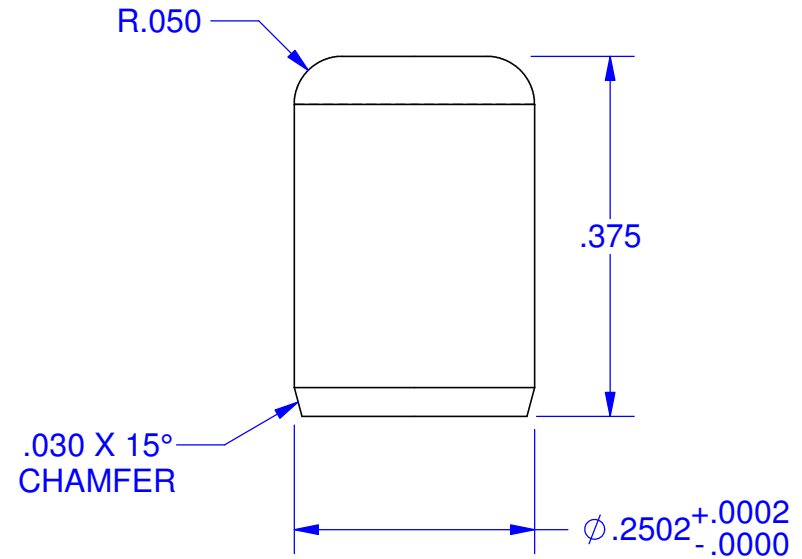
SECTION C-C

TopLine [®]			
TITLE C7-GRAPHITE-717-A GRAPHITE TOOL			
SCALE 1.25:1	SIZE A	DRAWING NO. 722780	REV A
DO NOT SCALE DRAWING			SHEET 2 OF 14

ALIGNMENT PIN
DWG 70256X



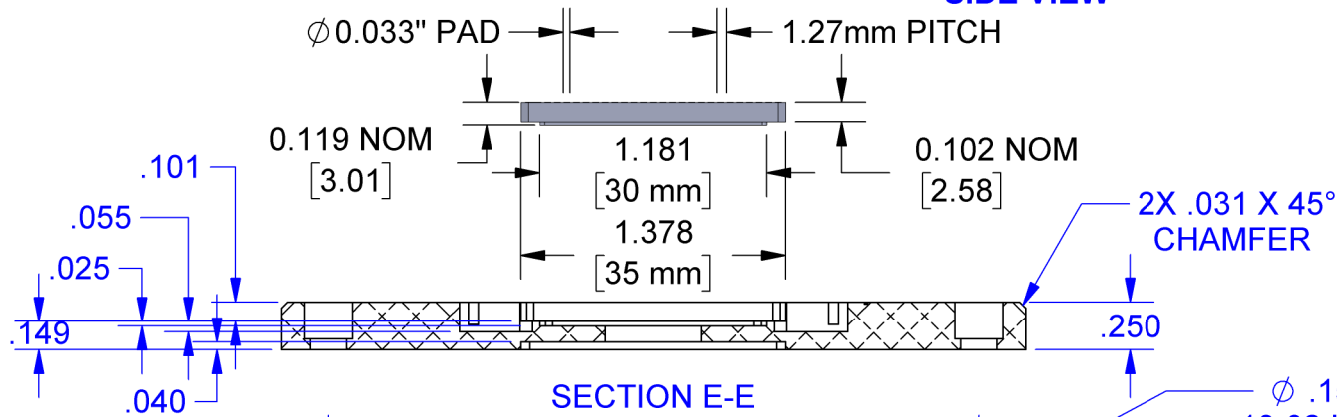
DETAIL P
SEE SHEET 1



NOTES: (UNLESS OTHERWISE SPECIFIED).
1) DIMENSIONS: INCH [MM].

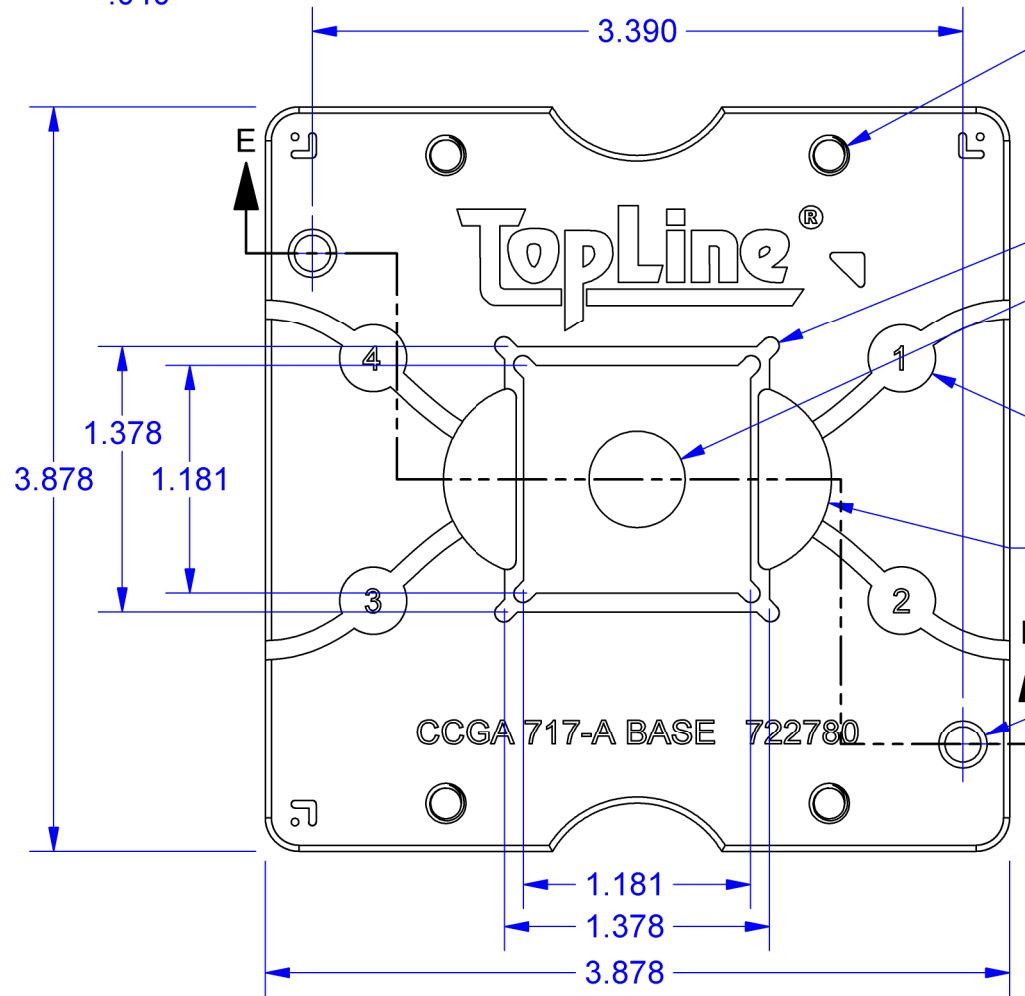
TopLine ®			
TITLE		C7-GRAPHITE-717-A GRAPHITE TOOL	
SCALE	SIZE	DRAWING NO.	REV
6:1	A	722780	A
DO NOT SCALE DRAWING			SHEET 3 OF 14

SIDE VIEW



SECTION E-E

- $\phi .159$ THRU ALL
- 10-32 UNF THRU ALL
- ✓ $\phi .209$ X 90°, NEAR SIDE
- ✓ $\phi .212$ X 90°, FAR SIDE



**TOP VIEW
BASE GRAPHITE**

- 12X R.047
- $\phi .500$ THRU
- 4X THERMAL COUPLE (OPTIONAL)
- 2X R.50

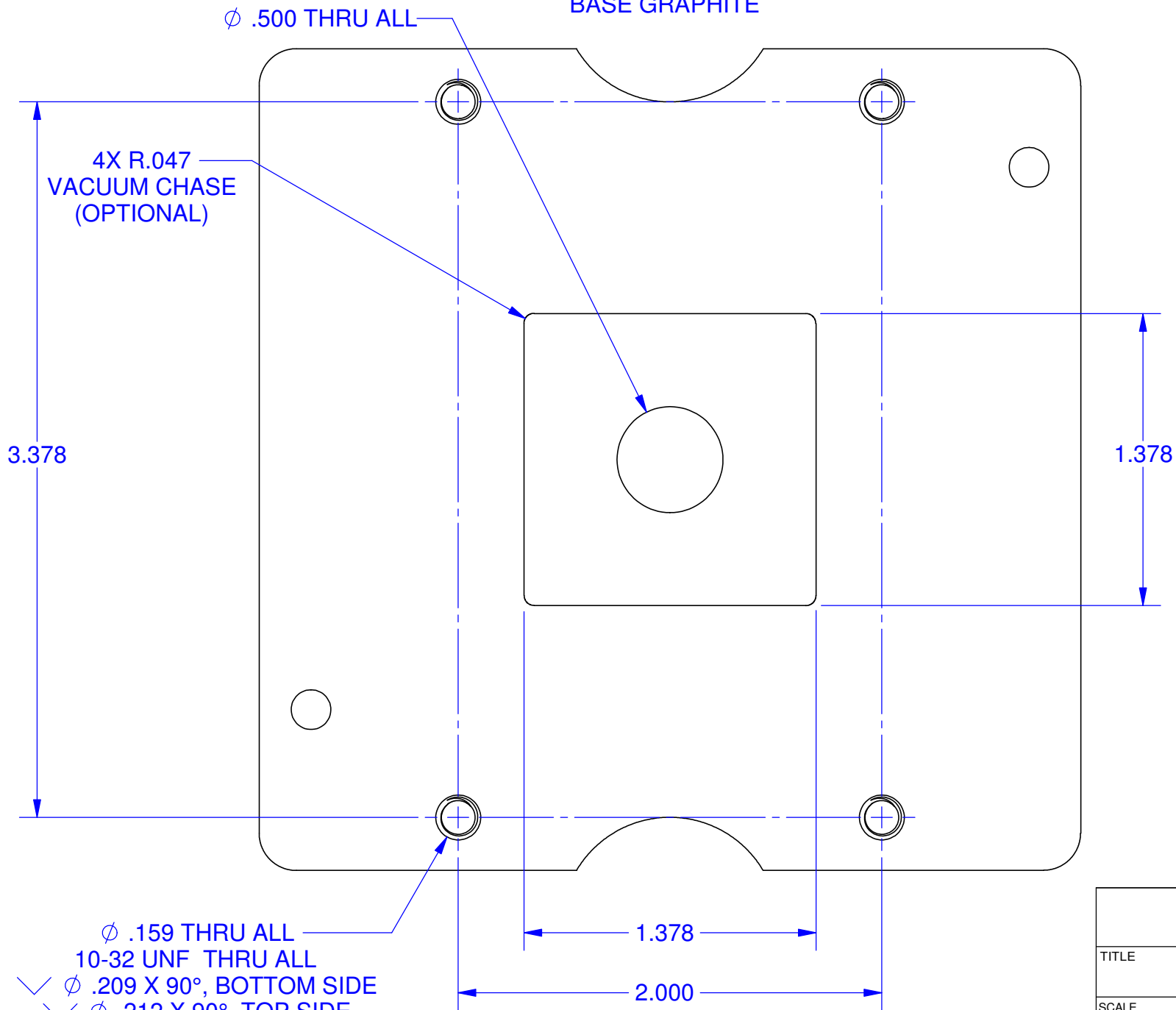
- $\phi .188$ THRU
- $\phi .2503^{+.0020}_{-.0000}$ $\nabla .193$

CCGA 717-A BASE 722780

TopLine®

TopLine®			
TITLE		C7-GRAPHITE-717-A GRAPHITE TOOL	
SCALE	SIZE	DRAWING NO.	REV
1:1	A	722780	A
DO NOT SCALE DRAWING			SHEET 4 OF 14

BOTTOM VIEW
BASE GRAPHITE



TopLine[®]

TITLE C7-GRAPHITE-717-A
GRAPHITE TOOL

SCALE	SIZE	DRAWING NO.	REV
1.5:1	A	722780	A

DO NOT SCALE DRAWING

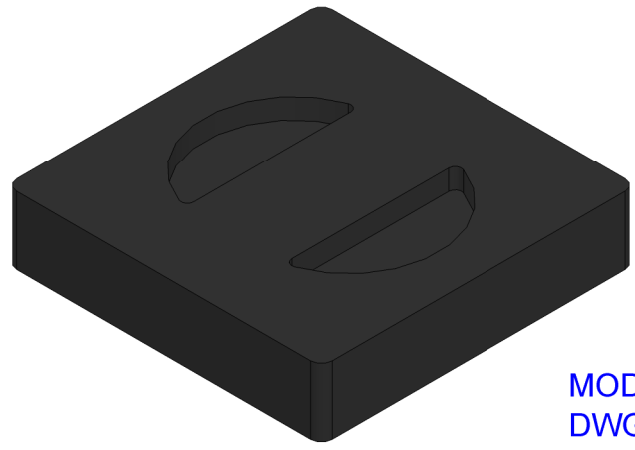
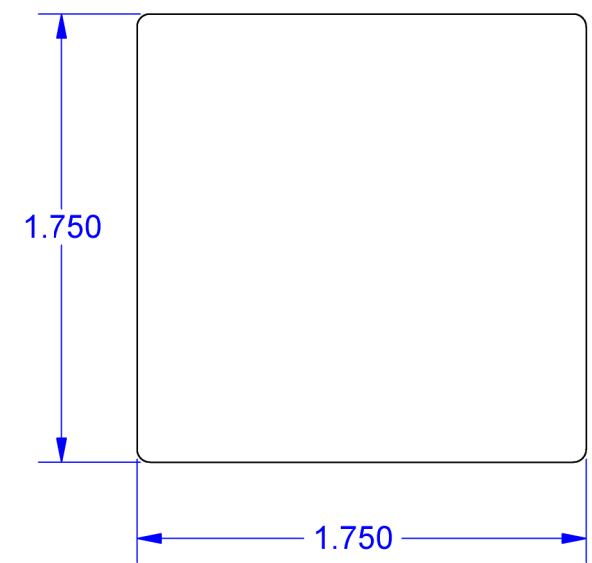
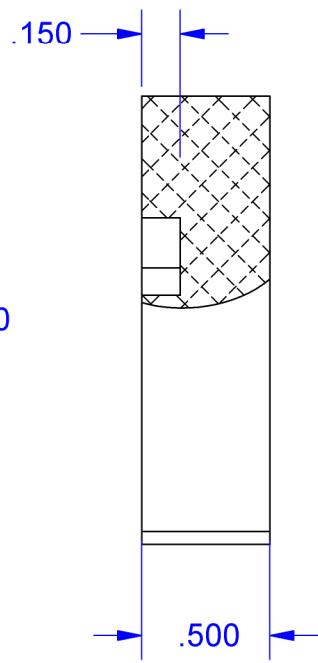
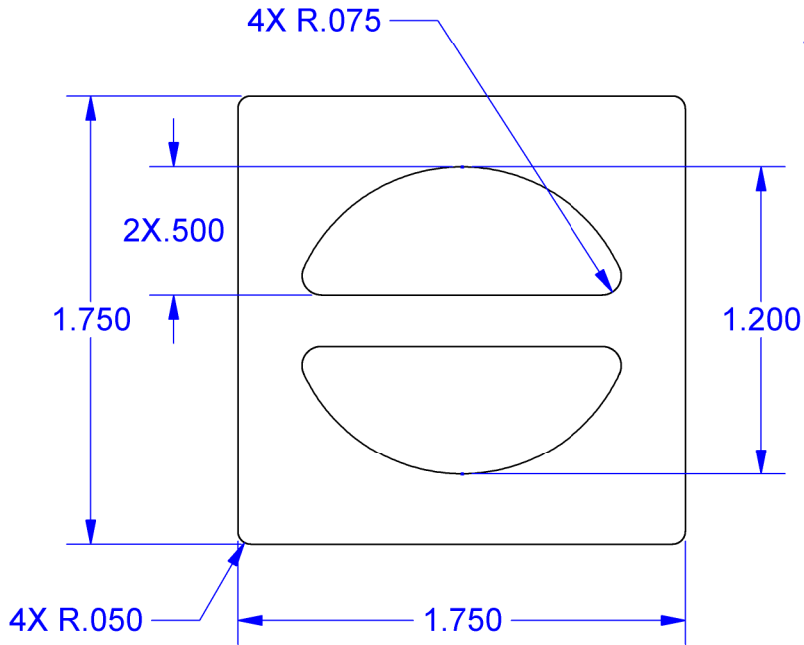
SHEET 5 OF 14

GRAPHITE CAP
700150

TOP VIEW

SIDE VIEW

BOTTOM VIEW

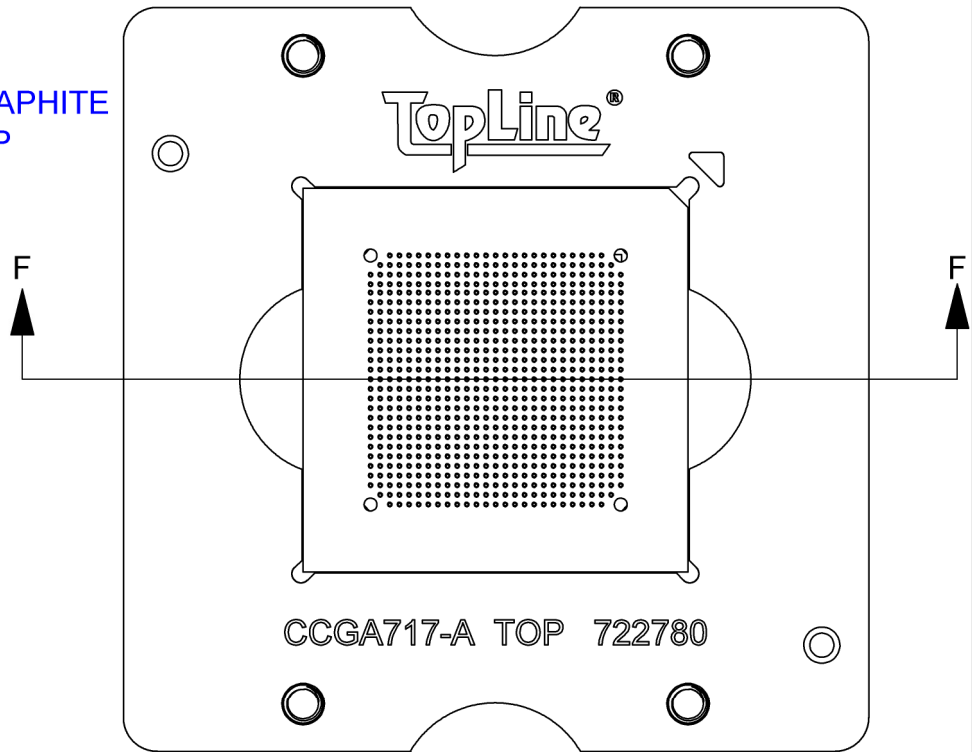
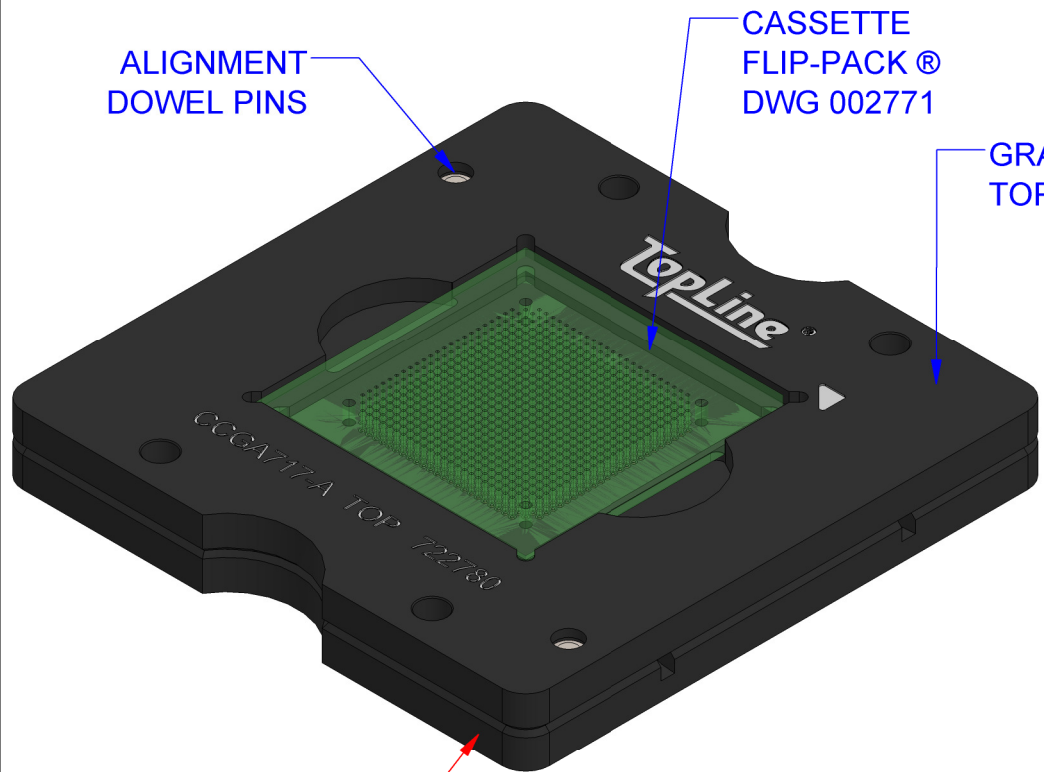


MODEL
DWG 700150

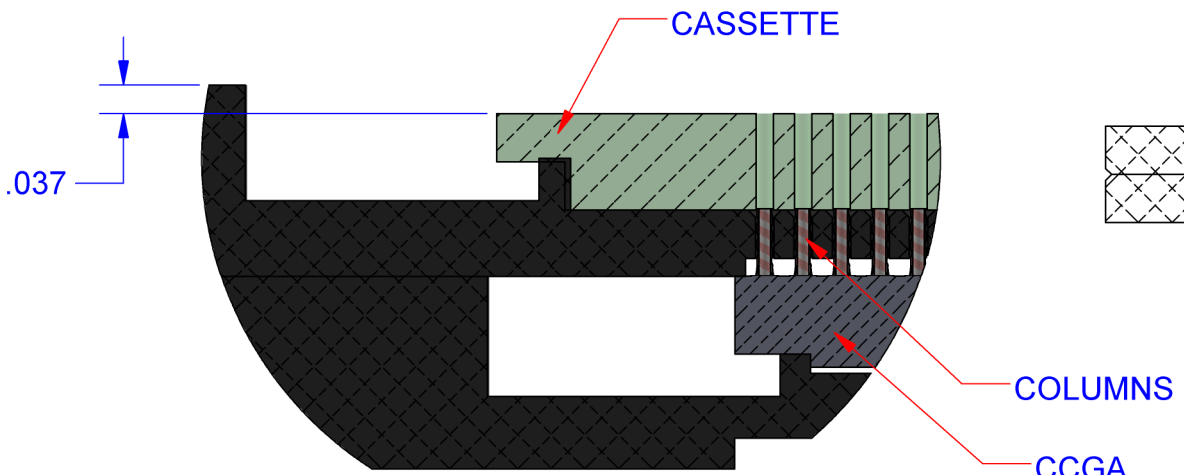
NOTES: (UNLESS OTHERWISE SPECIFIED).

- 1) DIMENSIONS: INCHES.
- 2) MATERIAL: GRAPHITE.
- 3) OMNI-DIRECTIONAL.
- 4) APPLICATION: APPLIES PRESSURE TO COLUMNS.

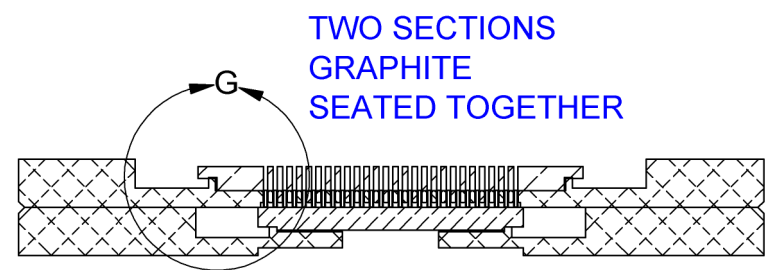
TopLine [®]			
TITLE		C7-GRAPHITE-717-A GRAPHITE TOOL	
SCALE	SIZE	DRAWING NO.	REV
2:1.5	A	722780	A
DO NOT SCALE DRAWING			SHEET 6 OF 14



GRAPHITE
BASE



DETAIL G
SCALE 4 : 1

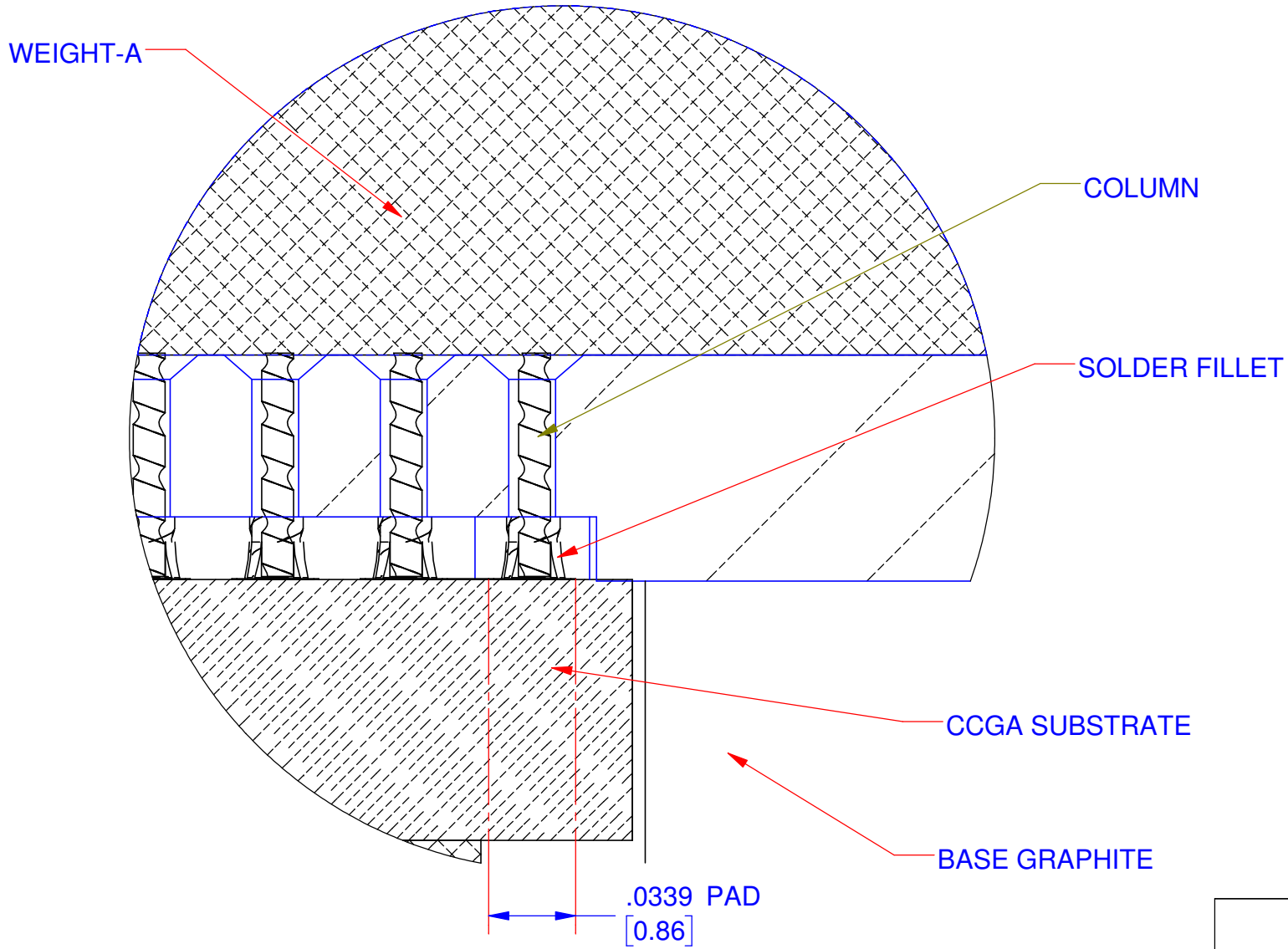


TWO SECTIONS
GRAPHITE
SEATED TOGETHER

SECTION F-F

TopLine ®			
TITLE C7-GRAPHITE-717-A GRAPHITE TOOL			
SCALE 1:1	SIZE A	DRAWING NO. 722780	REV A
DO NOT SCALE DRAWING			SHEET 7 OF 14

STACK-UP DIAGRAM

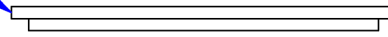


DETAIL Q
SEE SHEET 11

TopLine [®]			
TITLE		C7-GRAPHITE-717-A GRAPHITE TOOL	
SCALE	SIZE	DRAWING NO.	REV
16:1	A	722780	A
DO NOT SCALE DRAWING			SHEET 8 OF 14

CASSETTE
FLIP-PACK ®
U.S. PATENT 9,629,259

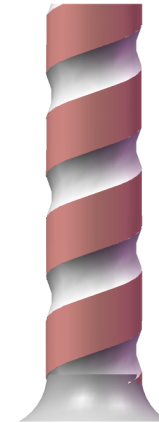
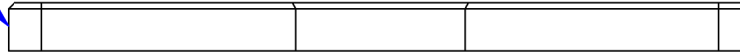
EXPLODED SIDE VIEW



COLUMNS
X 717



GRAPHITE
TOP

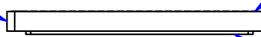


DETAIL H
SCALE 25 : 1

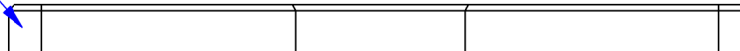
CCGA

PADS

LID (COVER)



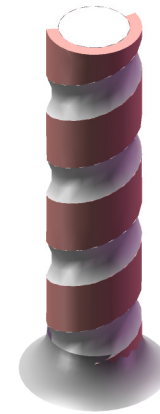
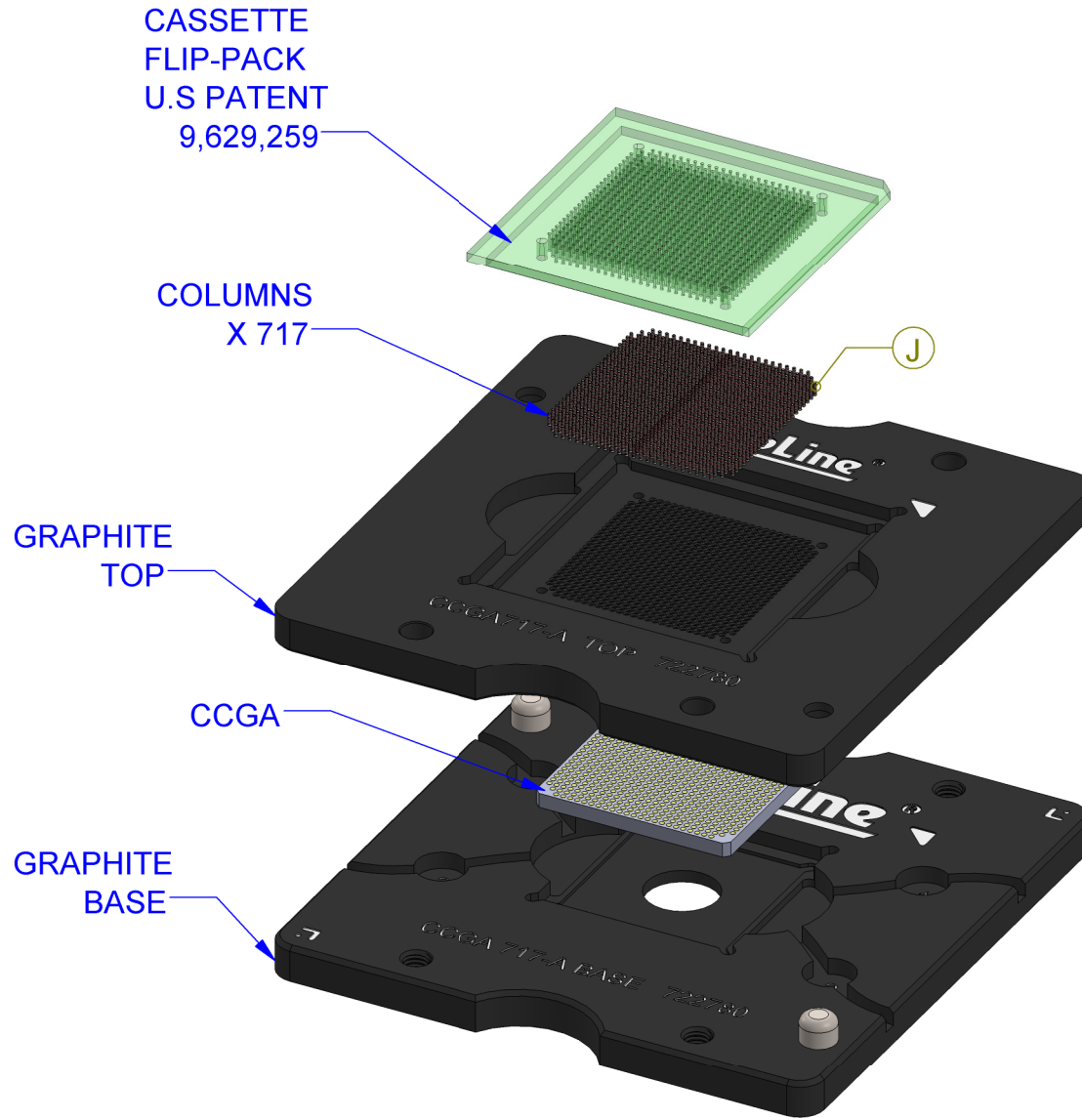
GRAPHITE
BASE



TopLine®

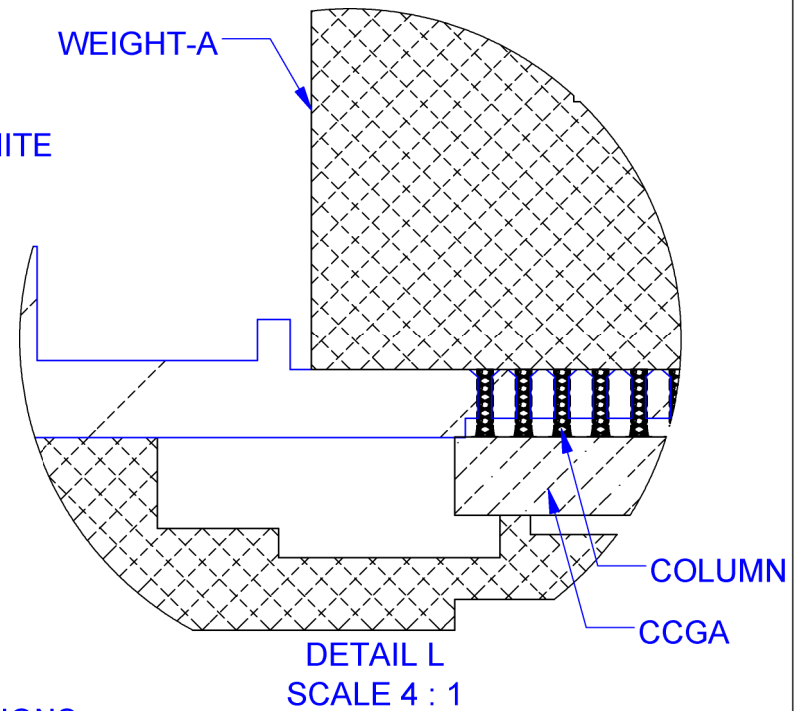
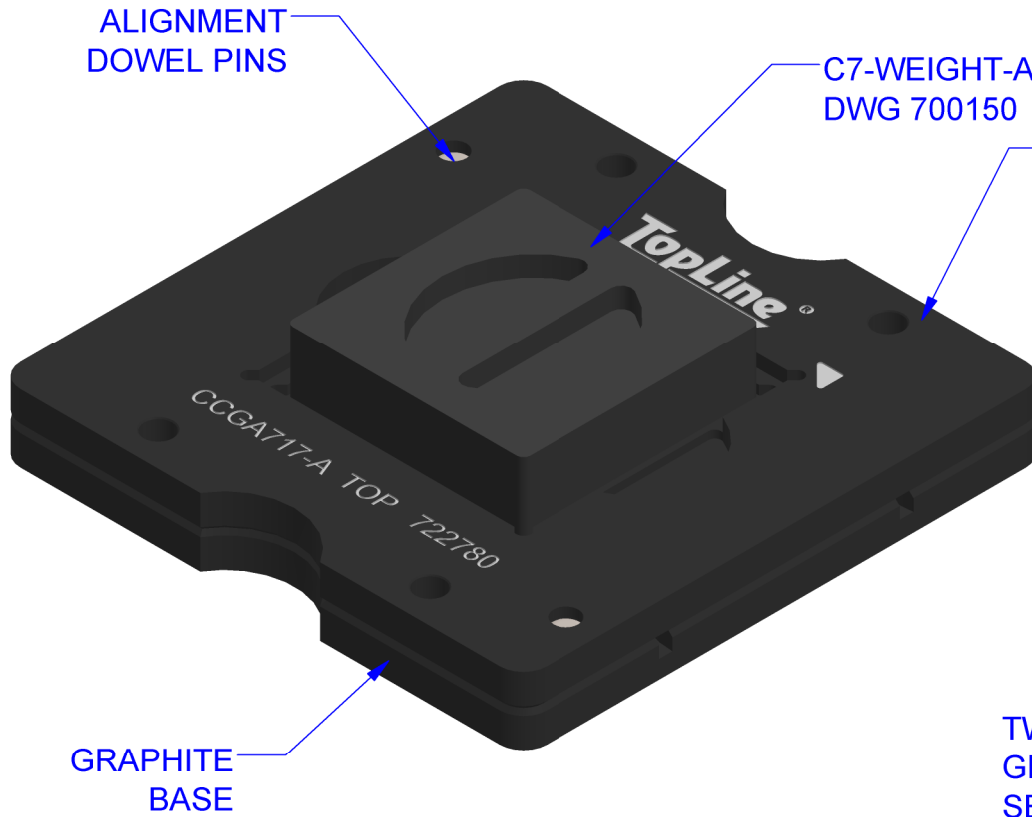
TITLE			
C7-GRAPHITE-717-A GRAPHITE TOOL			
SCALE	SIZE	DRAWING NO.	REV
1:1	A	722780	A
DO NOT SCALE DRAWING			SHEET 9 OF 14

EXPLODED ISOMETRIC VIEW

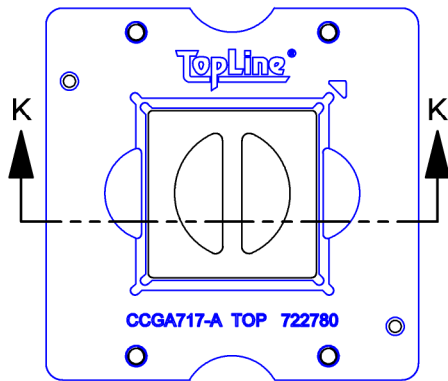


DETAIL J
SCALE 25 : 1

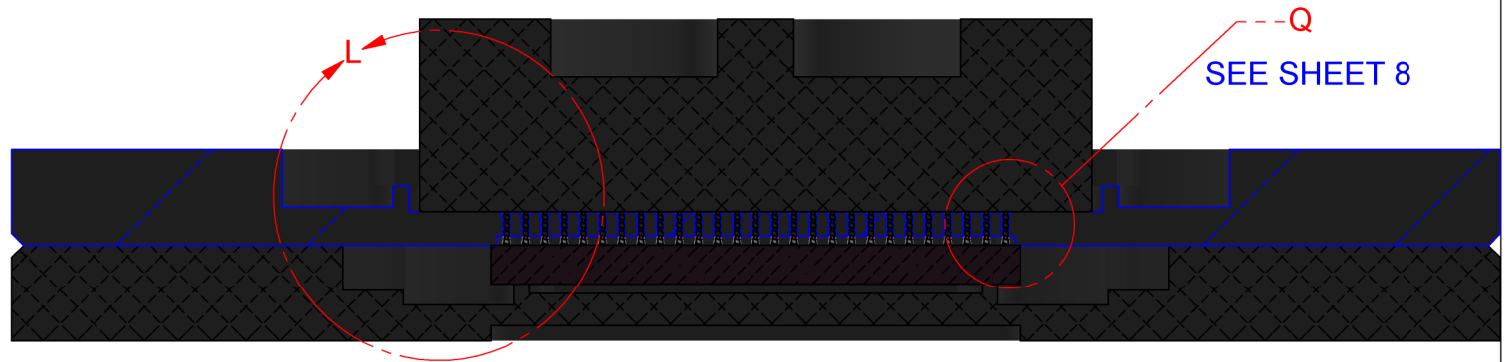
TopLine [®]			
TITLE		C7-GRAPHITE-717-A GRAPHITE TOOL	
SCALE	SIZE	DRAWING NO.	REV
0.85:1	A	722780	A
DO NOT SCALE DRAWING			SHEET 10 OF 14



TWO SECTIONS
GRAPHITE
SEATED TOGETHER



SCALE= 1:2



SECTION K-K
SCALE 2:1

TopLine [®]			
TITLE C7-GRAPHITE-717-A GRAPHITE TOOL			
SCALE 1:1	SIZE A	DRAWING NO. 722780	REV A
DO NOT SCALE DRAWING			SHEET 11 OF 14

EXPLODED SIDE VIEW

C7-WEIGHT-A
DWG 700150

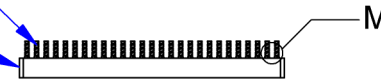


GRAPHITE
TOP

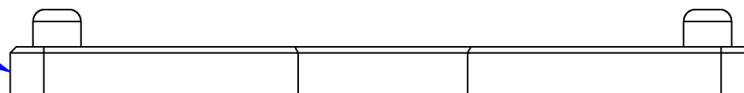


COLUMNS
X 717

CCGA



GRAPHITE
BASE

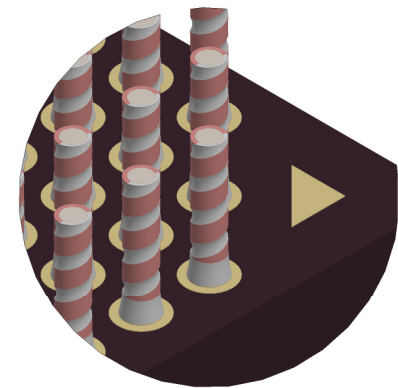
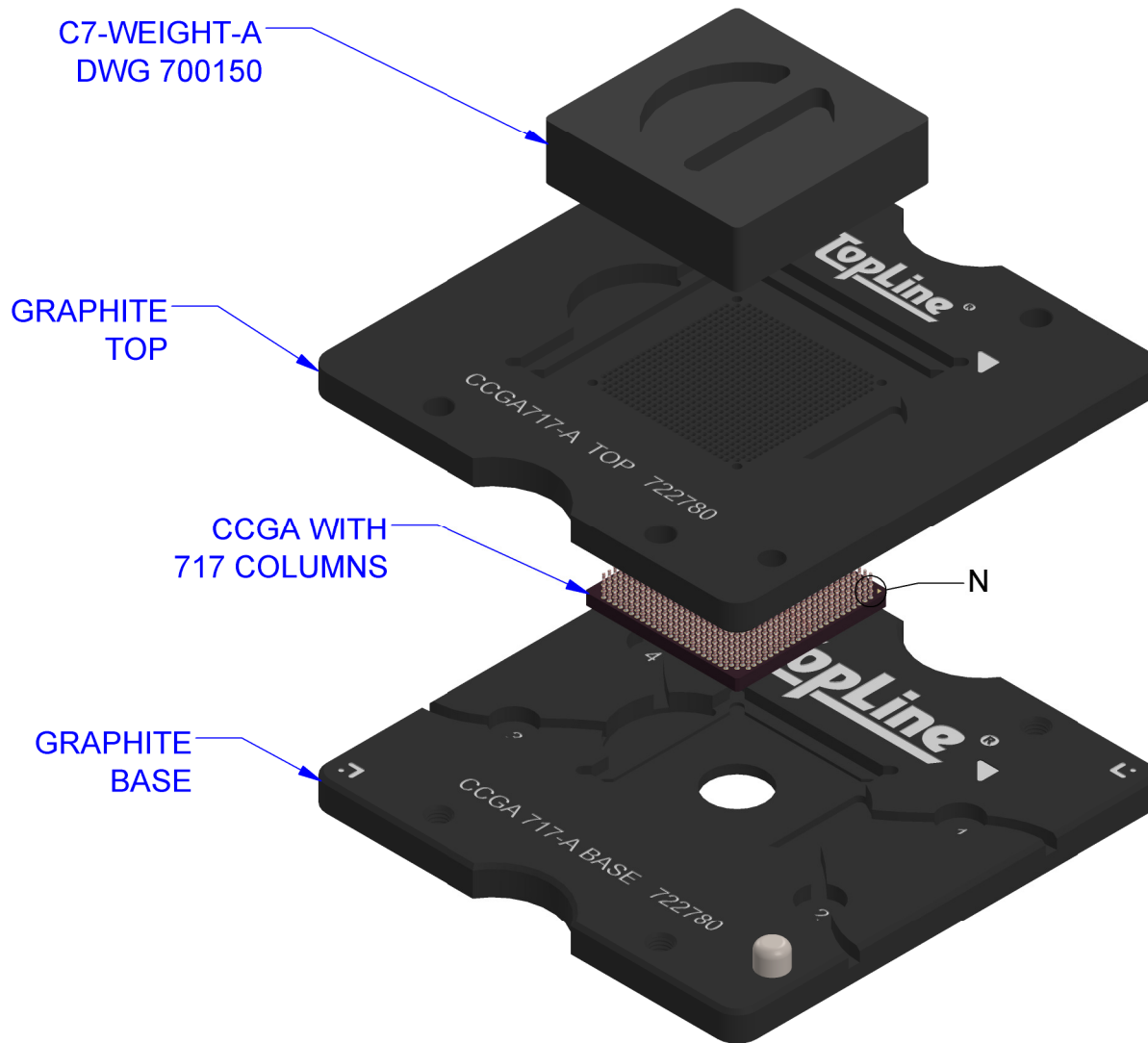


DETAIL M
SCALE 20 : 1

Sn63Pb37 FILLET
AFTER REFLOW

TopLine [®]			
TITLE		C7-GRAPHITE-717-A GRAPHITE TOOL	
SCALE	SIZE	DRAWING NO.	REV
1:1	A	722780	A
DO NOT SCALE DRAWING			SHEET 12 OF 14

EXPLODED ISOMETRIC VIEW

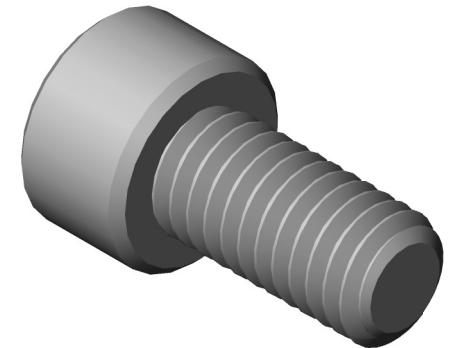
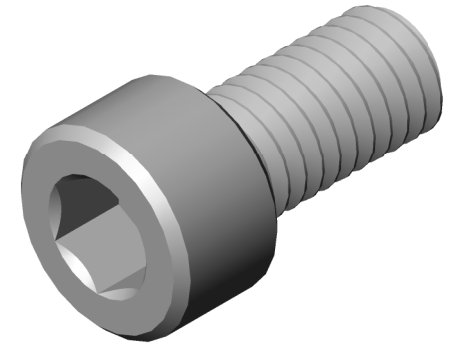
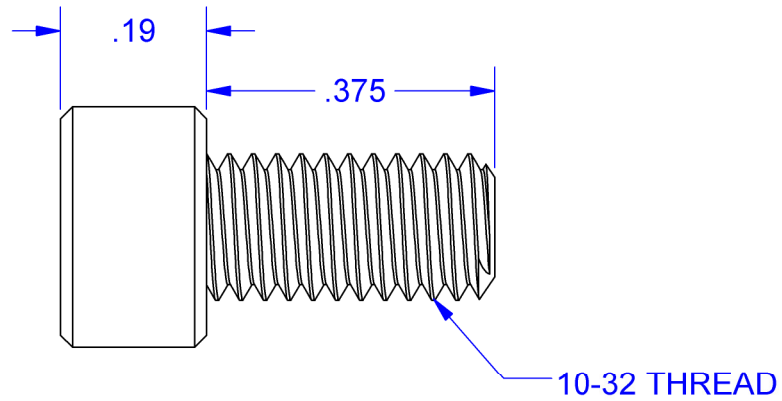
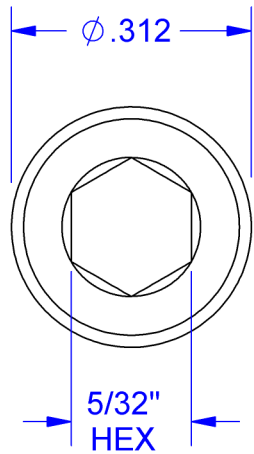


DETAIL N
SCALE 10 : 1
Sn63Pb37 FILLET
AFTER REFLOW

TopLine [®]			
TITLE		C7-GRAPHITE-717-A GRAPHITE TOOL	
SCALE	SIZE	DRAWING NO.	REV
0.85:1	A	722780	A
DO NOT SCALE DRAWING			SHEET 13 OF 14

CAP SCREW DWG 704051

MODELS



NOTES:

- 1) DIMENSIONS: INCH (UNLESS OTHERWISE SPECIFIED).
- 2) MATERIAL: SEE TABLE.
- 3) THREAD: SEE TABLE.
- 4) COLOR: STAINLESS.

DRILL TABLE

MATERIAL	THREAD	MAX OD	TAP DRILL START HOLE	CL HOLE CLOSE FIT	DWG
STAINLESS	10-32	0.190"	0.156"	0.206"	704051

TopLine[®]

TITLE				C7-GRAPHITE-717-A GRAPHITE TOOL			
SCALE	SIZE	DRAWING NO.		REV			
4:1	A	722780		A			
DO NOT SCALE DRAWING						SHEET 14 OF 14	