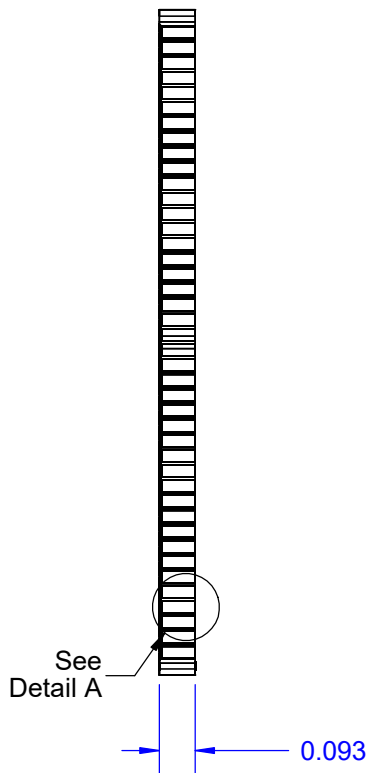
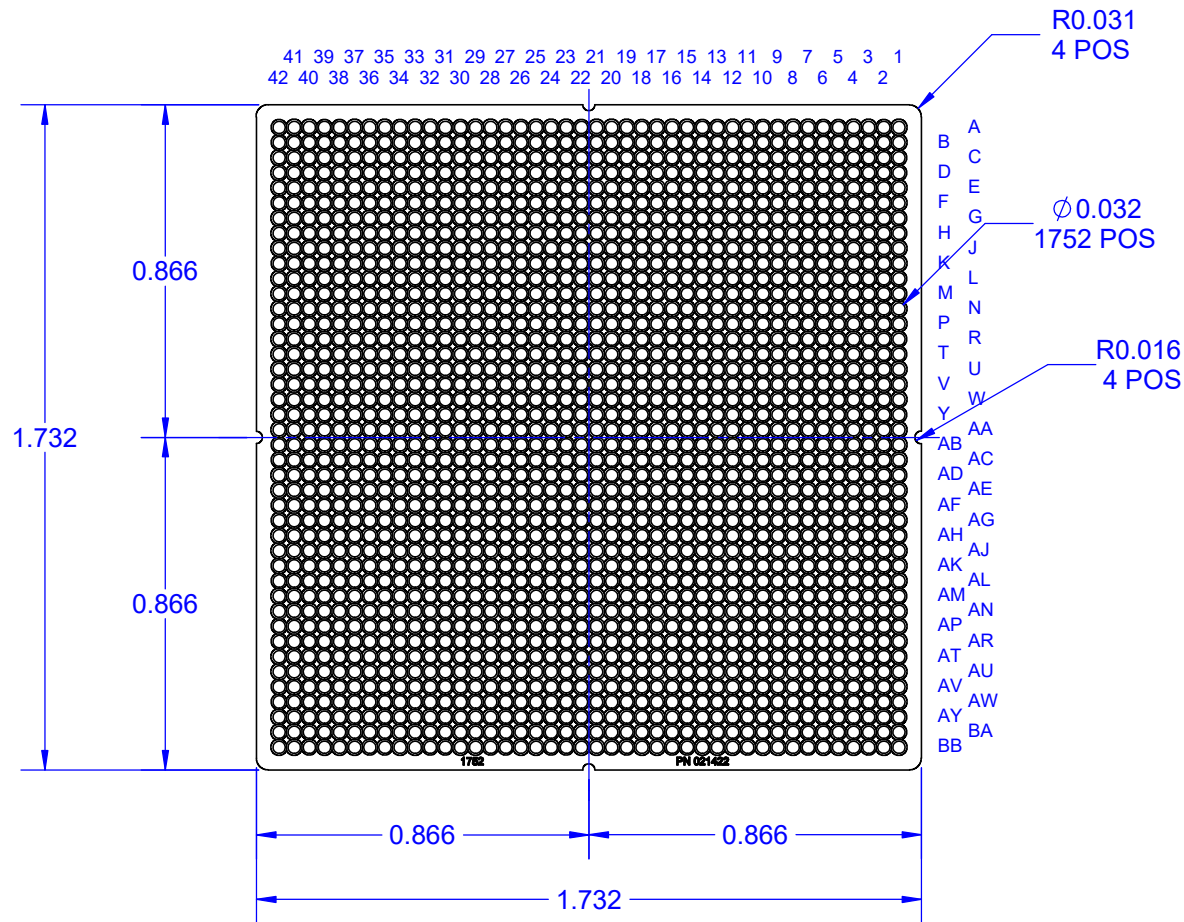


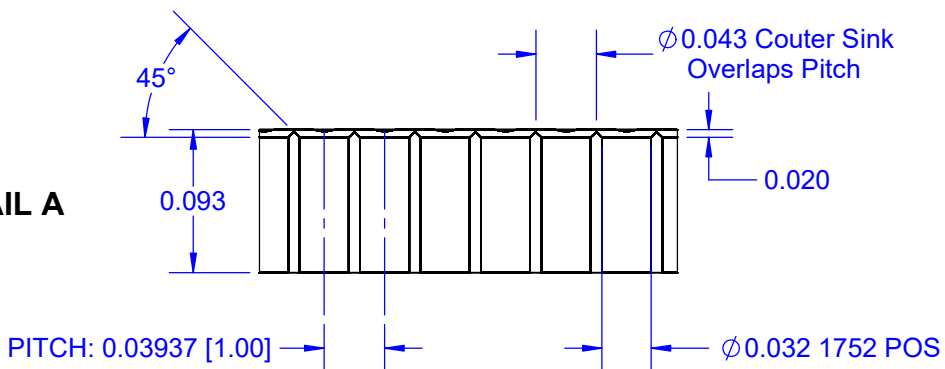
SIDE VIEW



TOP VIEW



DETAIL A



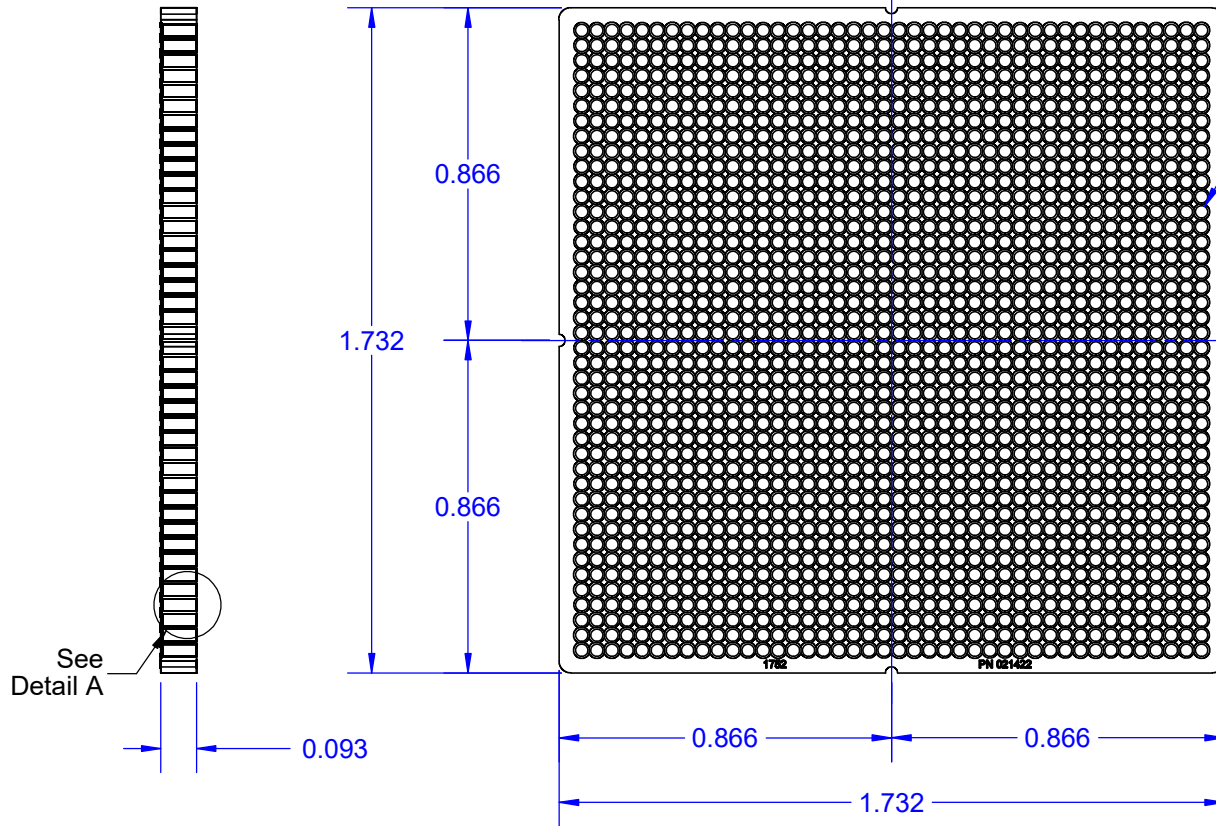
NOTES:

1. DIMENSIONS IN INCH UNLESS OTHERWISE STATED.
2. MATERIAL: FR4 COLOR BLACK.
3. LEGEND: WHITE INK.
4. PIN REFERENCE DESIGNATORS NOT MARKED ON PCB.

APPROVALS	DATE	TopLine®			
DRAWN T. Au	11/14/2016				
ENG M. Hart	11/14/2016	TITLE CGA1752 TRAY INSERT 45mm x 45mm			
MFG		SCALE 2:1	SIZE A	DRAWING NO. 021422	REV A
QA					
CUST		DO NOT SCALE DRAWING			SHEET 1 OF 9
REVISED					

SIDE VIEW

TOP VIEW



R0.031
4 POS

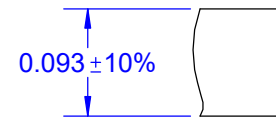
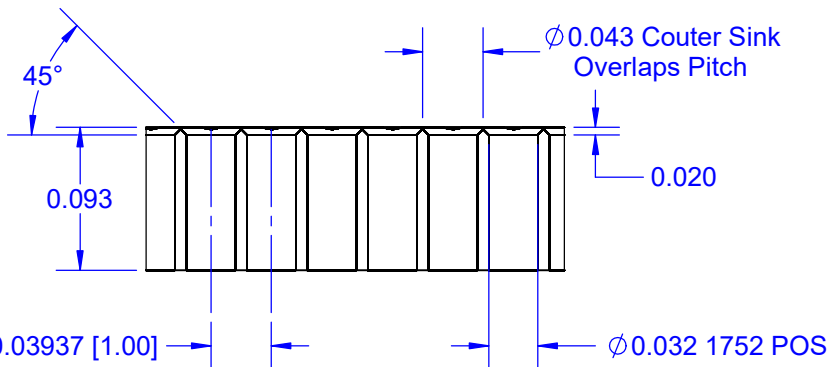
∅0.032
1752 POS

R0.016
4 POS

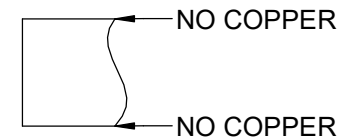
HOLE CHART		
SYMBOL	DIAMETER UNPLATED THRU	QTY PCB
+	0.032 ±0.003	1768
○	0.043 ±0.003	1764
TOTAL		3532

FAB NOTES:

- MATERIAL:
A. NO COPPER (0/0).
B. FR4.
- REFER TO VIEW A FOR STACK UP.
- NO PTH HOLES.
- BLACK ESD.
- NO PCB MFRG LOGO ALLOWED.
- SILKSCREEN WHITE INK.
- FULLY ROUTE EACH BOARD.



**VIEW A
CONSTRUCTION
SCALE: NONE**

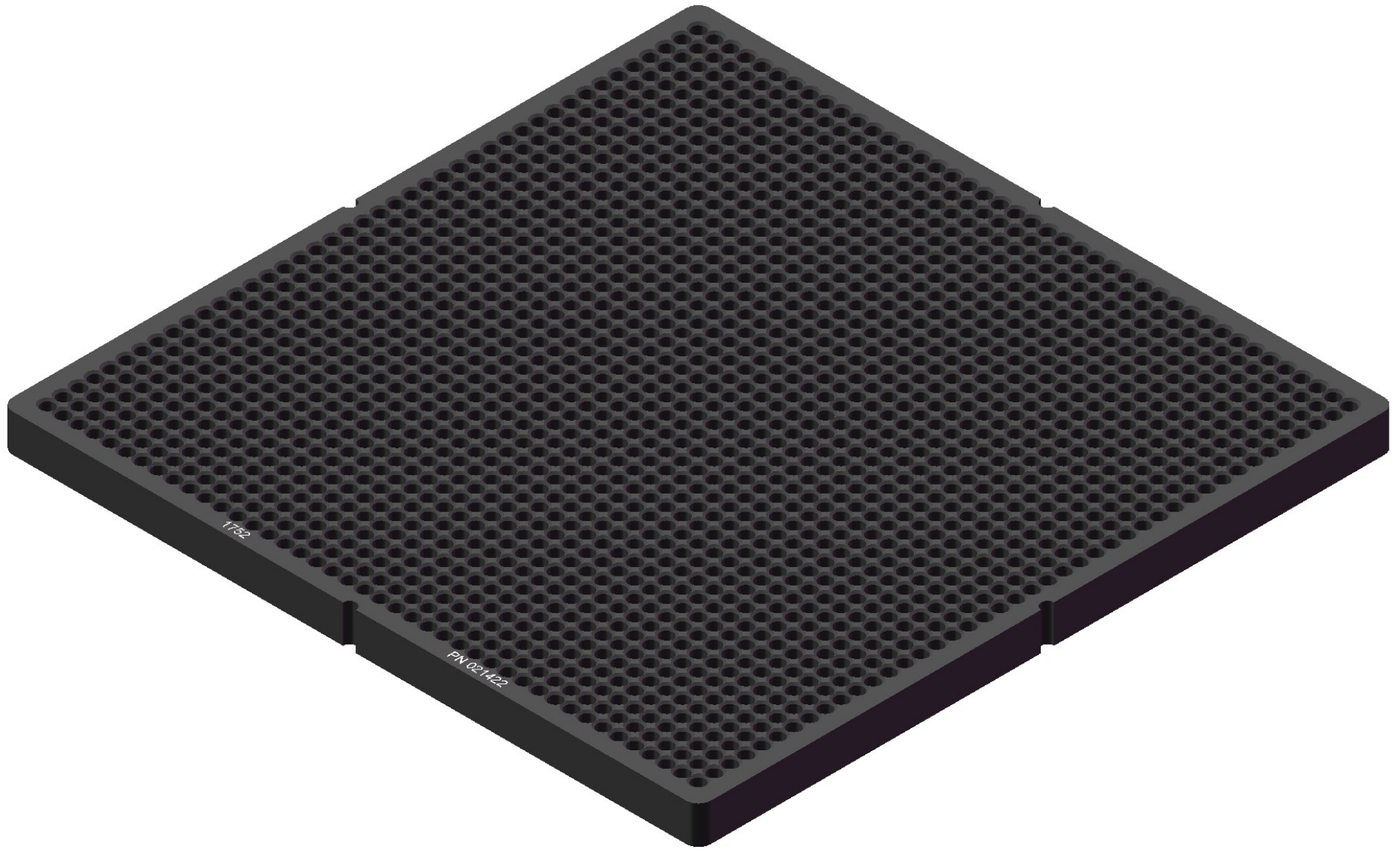


TopLine®

TITLE CGA1752 TRAY INSERT
45mm x 45mm

SCALE 2:1	SIZE A	DRAWING NO. 021422	REV A
--------------	-----------	-----------------------	----------

MODEL TOP



TopLine[®]

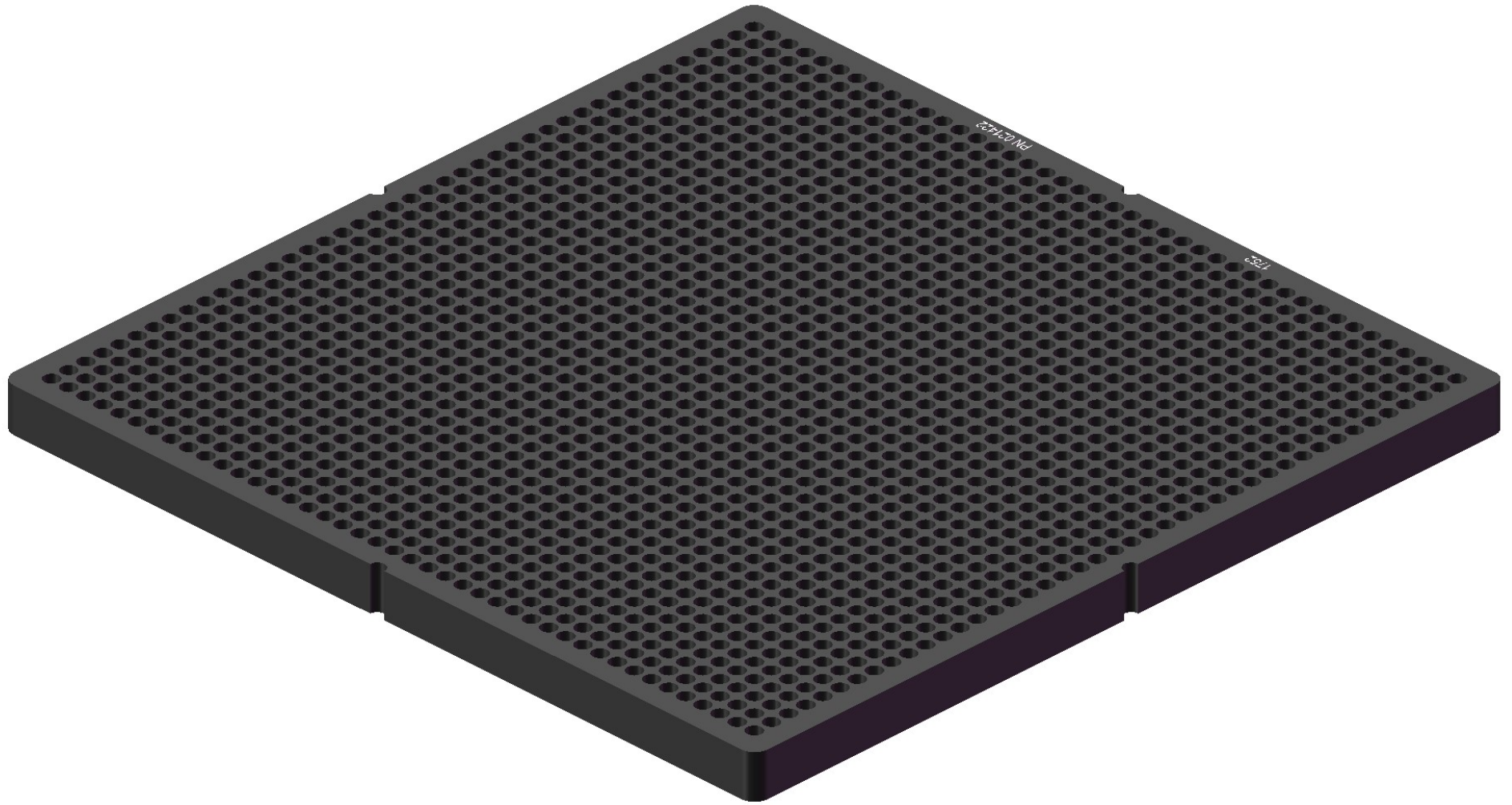
TITLE CGA1752 TRAY INSERT
45mm x 45mm

SCALE 4:1	SIZE A	DRAWING NO. 021422	REV A
--------------	-----------	-----------------------	----------

DO NOT SCALE DRAWING

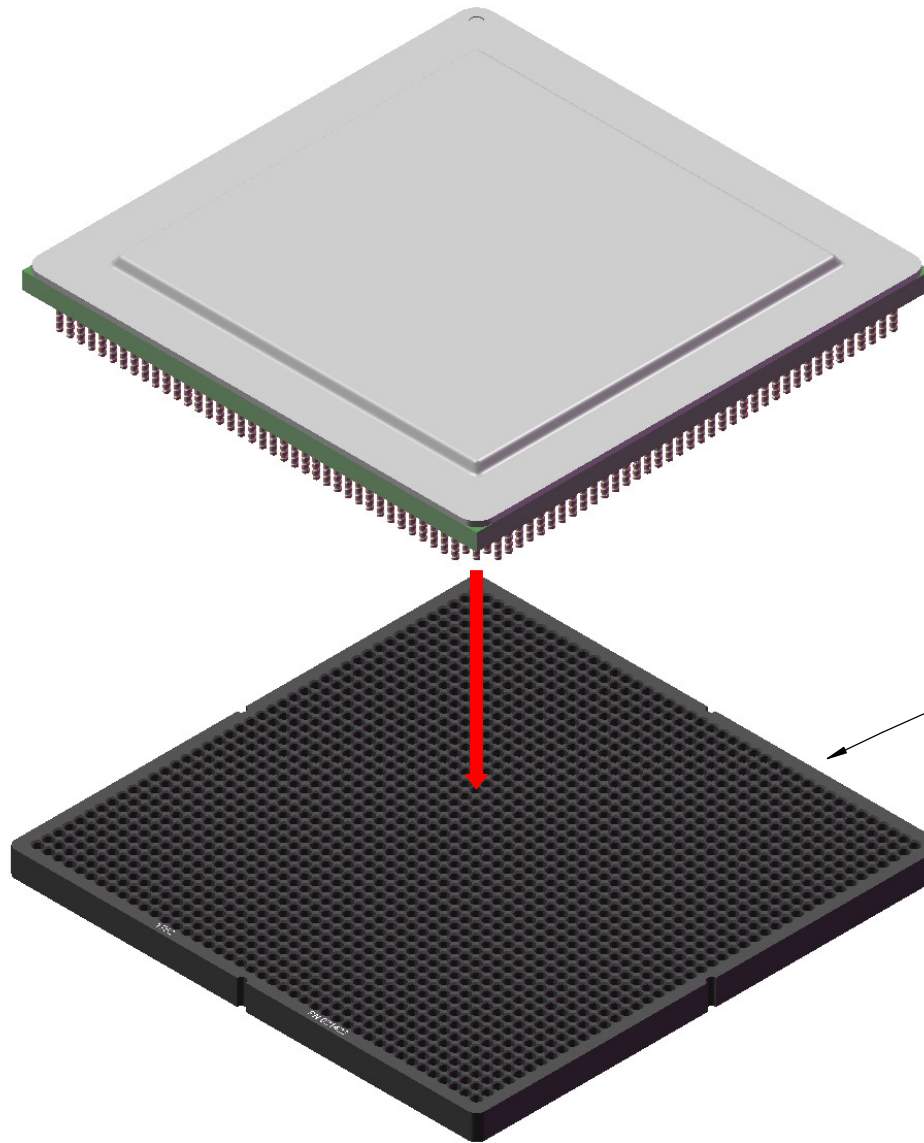
SHEET 3 OF 9

MODEL BOTTOM

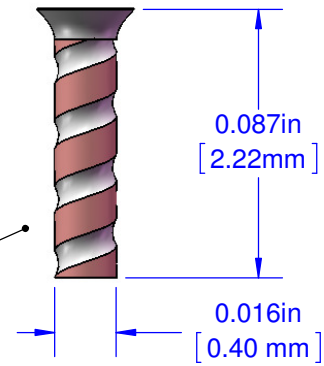


TopLine®			
TITLE		CGA1752 TRAY INSERT 45mm x 45mm	
SCALE	SIZE	DRAWING NO.	REV
4:1	A	021422	A
DO NOT SCALE DRAWING			SHEET 4 OF 9

**EXPLODED VIEW
TOP**



CGA1752



**TRAY INSERT
DWG 021422**

TopLine®

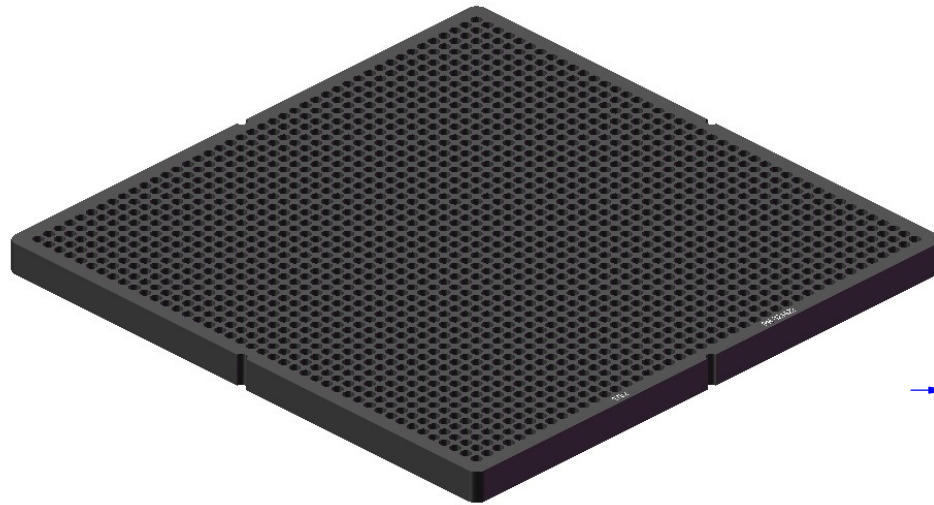
TITLE CGA1752 TRAY INSERT
45mm x 45mm

SCALE 2:1	SIZE A	DRAWING NO. 021422	REV A
--------------	-----------	-----------------------	----------

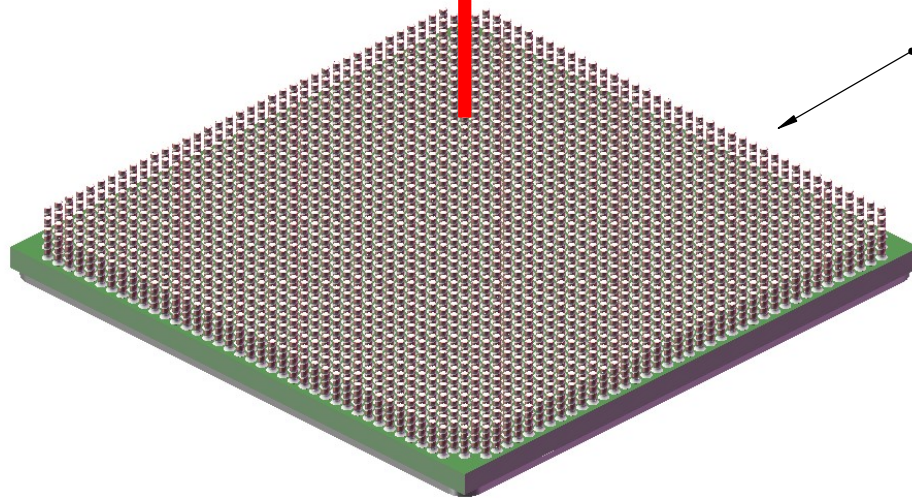
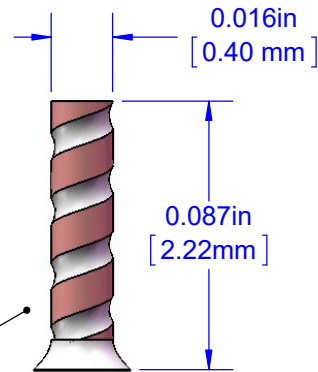
DO NOT SCALE DRAWING

SHEET 5 OF 9

**EXPLODED VIEW
TOP**



**TRAY INSERT
DWG 021422**

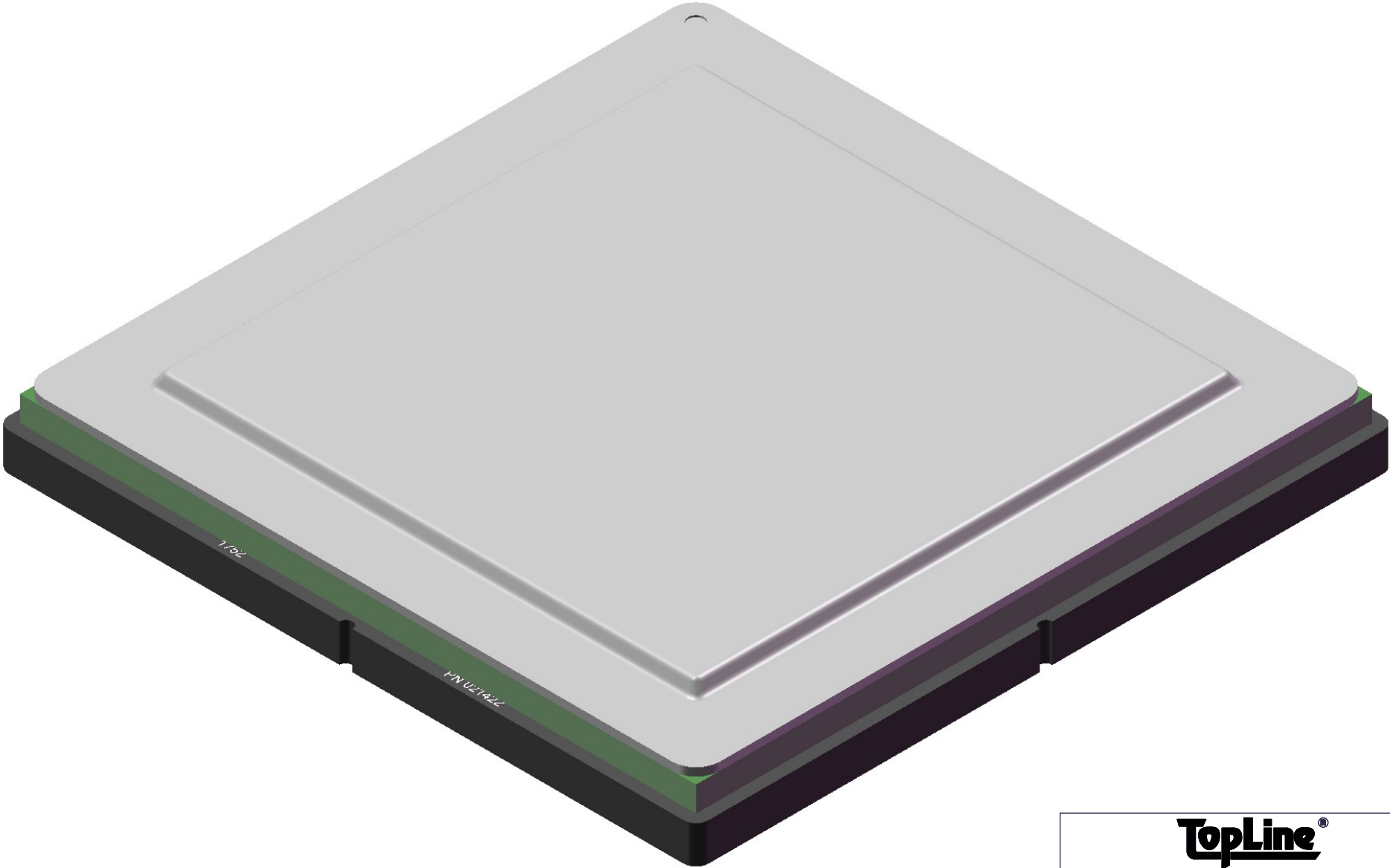


CGA1752



TITLE CGA1752 TRAY INSERT 45mm x 45mm			
SCALE 2:1	SIZE A	DRAWING NO. 021422	REV A
DO NOT SCALE DRAWING			SHEET 6 OF 9

MATING VIEW
TOP



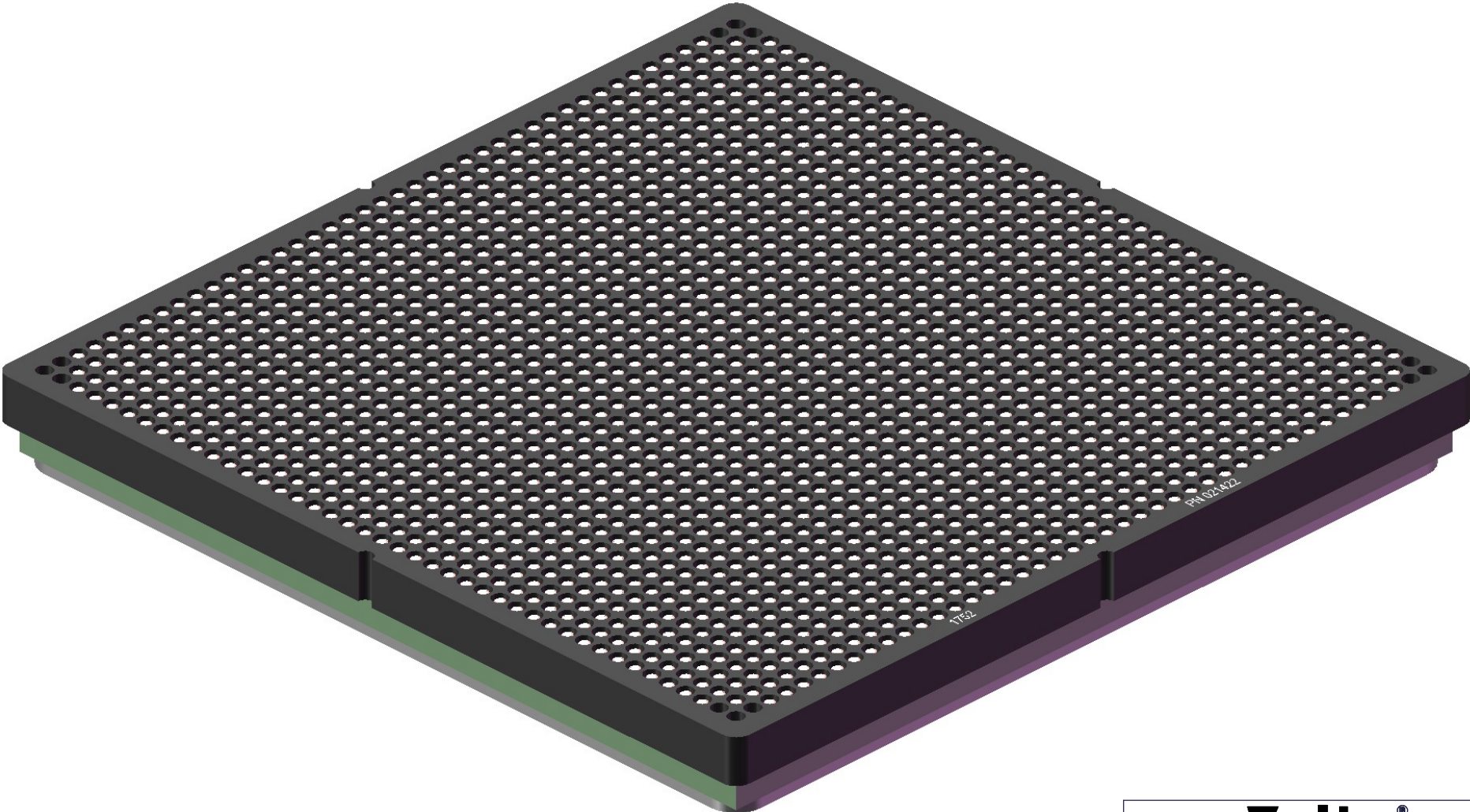
TopLine[®]

TITLE CGA1752 TRAY INSERT
45mm x 45mm

SCALE 4:1	SIZE A	DRAWING NO. 021422	REV A
--------------	-----------	-----------------------	----------

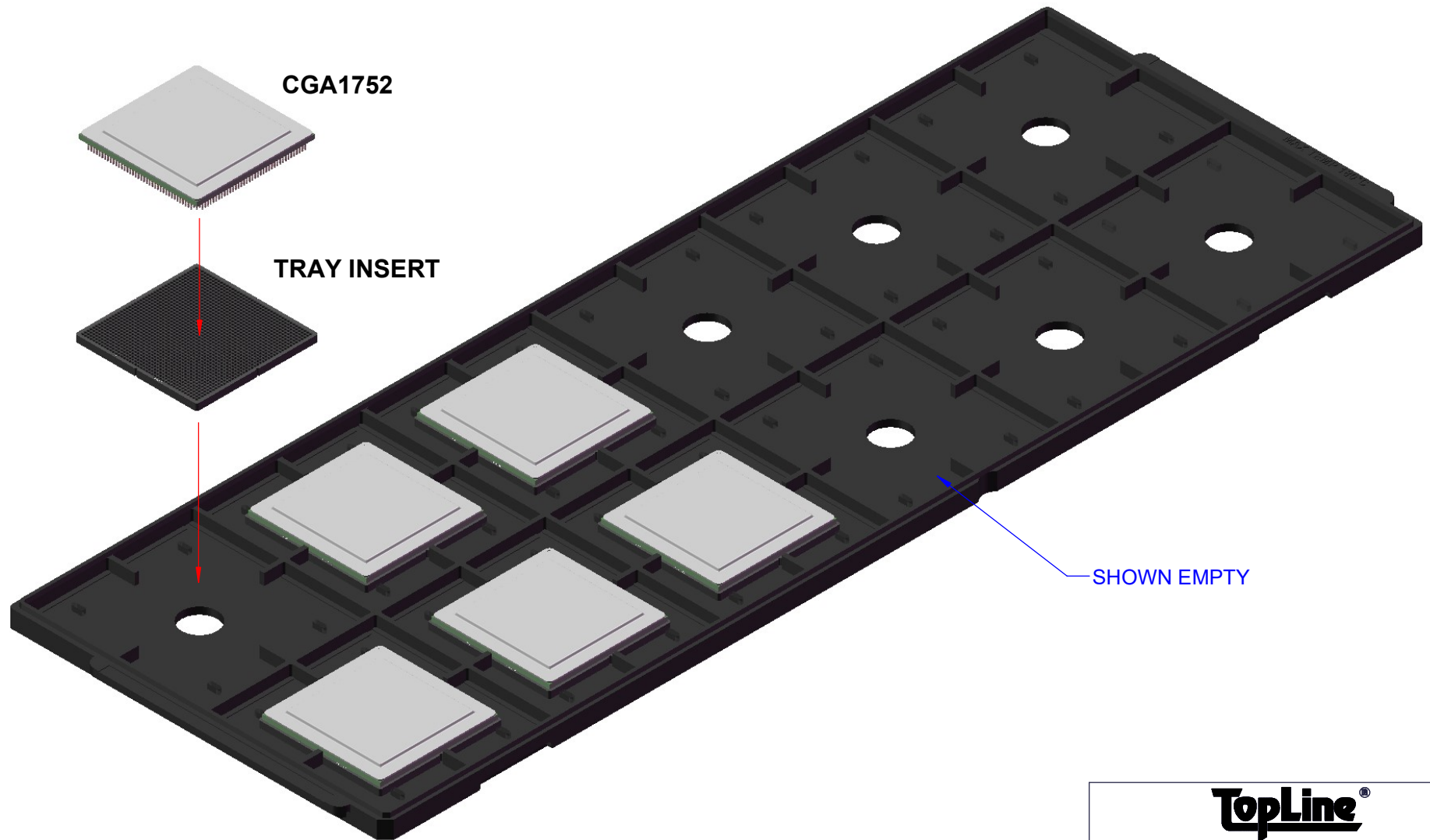
DO NOT SCALE DRAWING SHEET 7 OF 9

MATING VIEW
BOTTOM



TopLine[®]			
TITLE		CGA1752 TRAY INSERT 45mm x 45mm	
SCALE	SIZE	DRAWING NO.	REV
4:1	A	021422	A
DO NOT SCALE DRAWING			SHEET 8 OF 9

SEATING IN JEDEC TRAY BGA 45x45mm TRAY



TopLine®			
TITLE CGA1752 TRAY INSERT 45mm x 45mm			
SCALE 2:3	SIZE A	DRAWING NO. 021422	REV A
DO NOT SCALE DRAWING			SHEET 9 OF 9