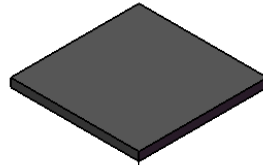


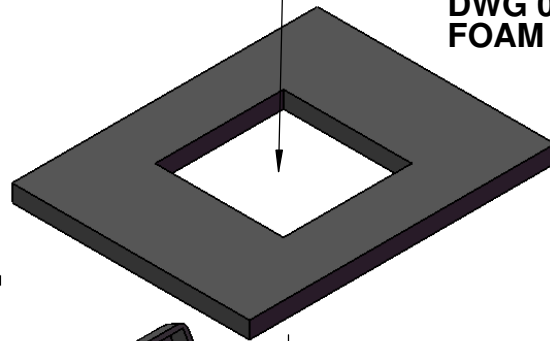
# EXPLODED VIEW



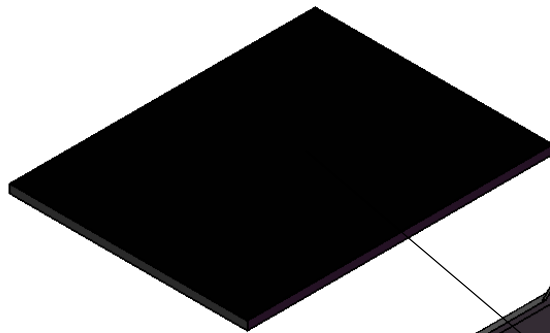
CLGA1752CN



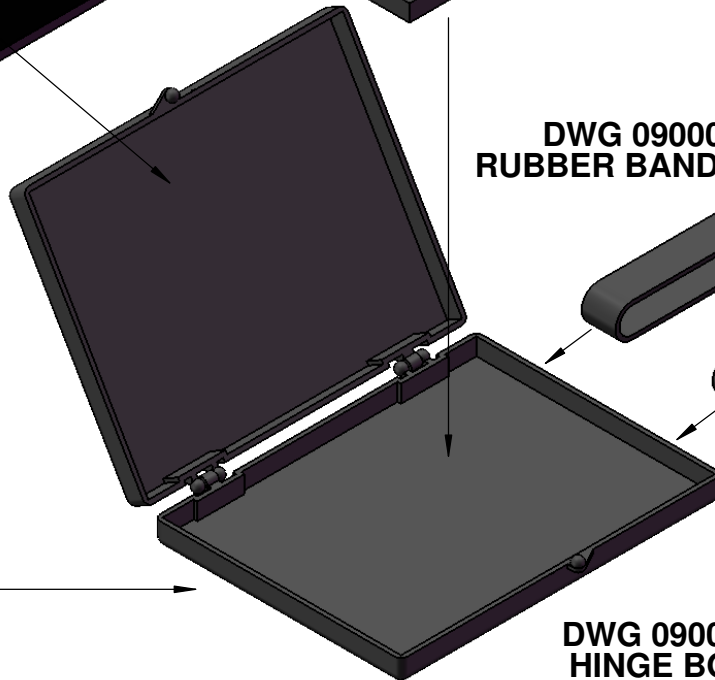
DWG 090014  
FOAM



DWG 090002  
FOAM FRAME

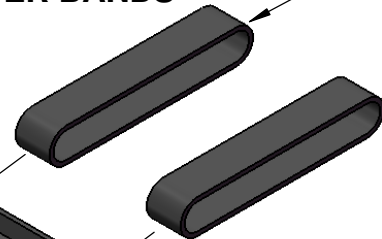


DWG 090006  
FOAM

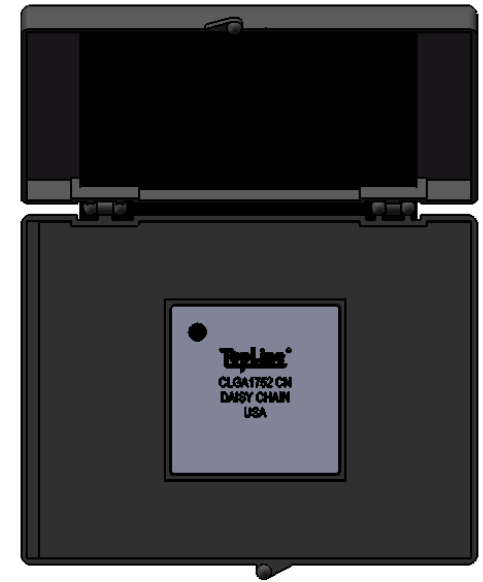


DWG 090000  
HINGE BOX

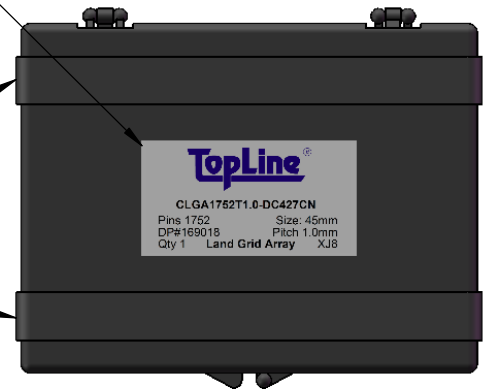
DWG 090005  
RUBBER BANDS



DWG 090009  
BOTTOM LABEL



SHOWN  
AFTER ASSEMBLY

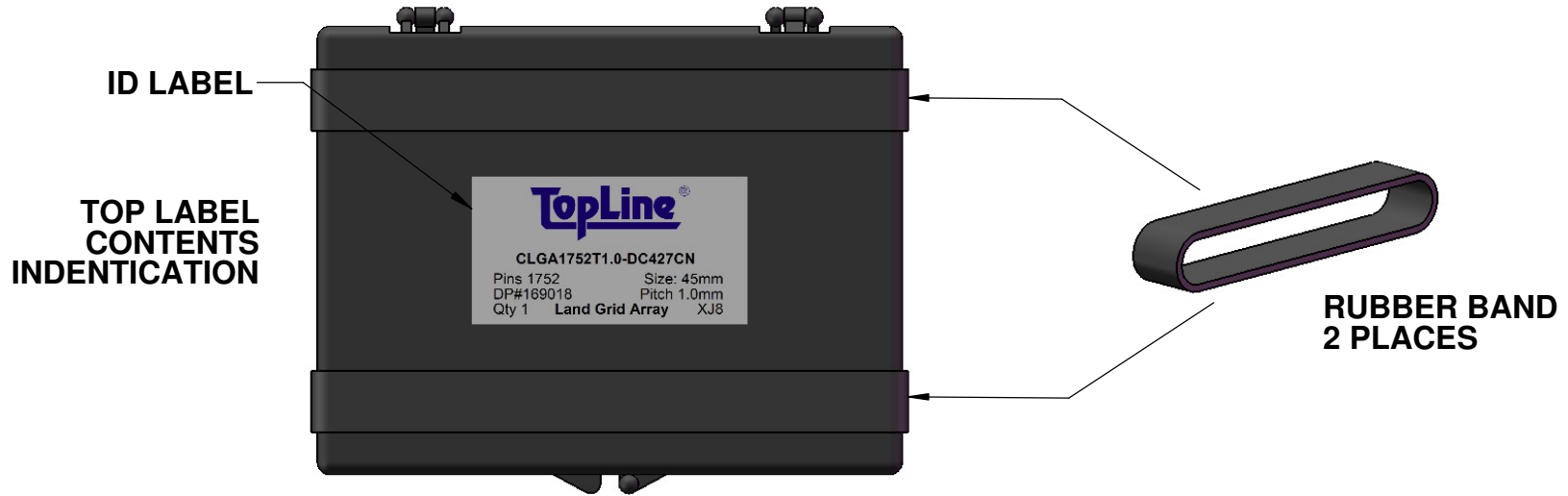


CLOSED BOX

ID LABEL

APPROVALS	DATE	<b>TopLine®</b>			
DRAWN T. Au	7/31/2017				
ENG M. Hart	7/31/2017	TITLE CLGA1752 PACKAGING TRAY BOX			
MFG		SCALE	SIZE	DRAWING NO.	REV
QA		1:2	A	921420	A
CUST		DO NOT SCALE DRAWING			SHEET 1 OF 9
REVISED					

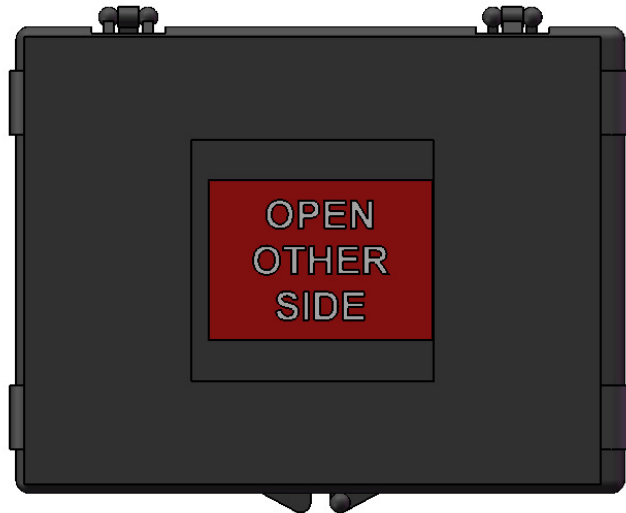
# LABEL PLACEMENT



**FRONT VIEW**

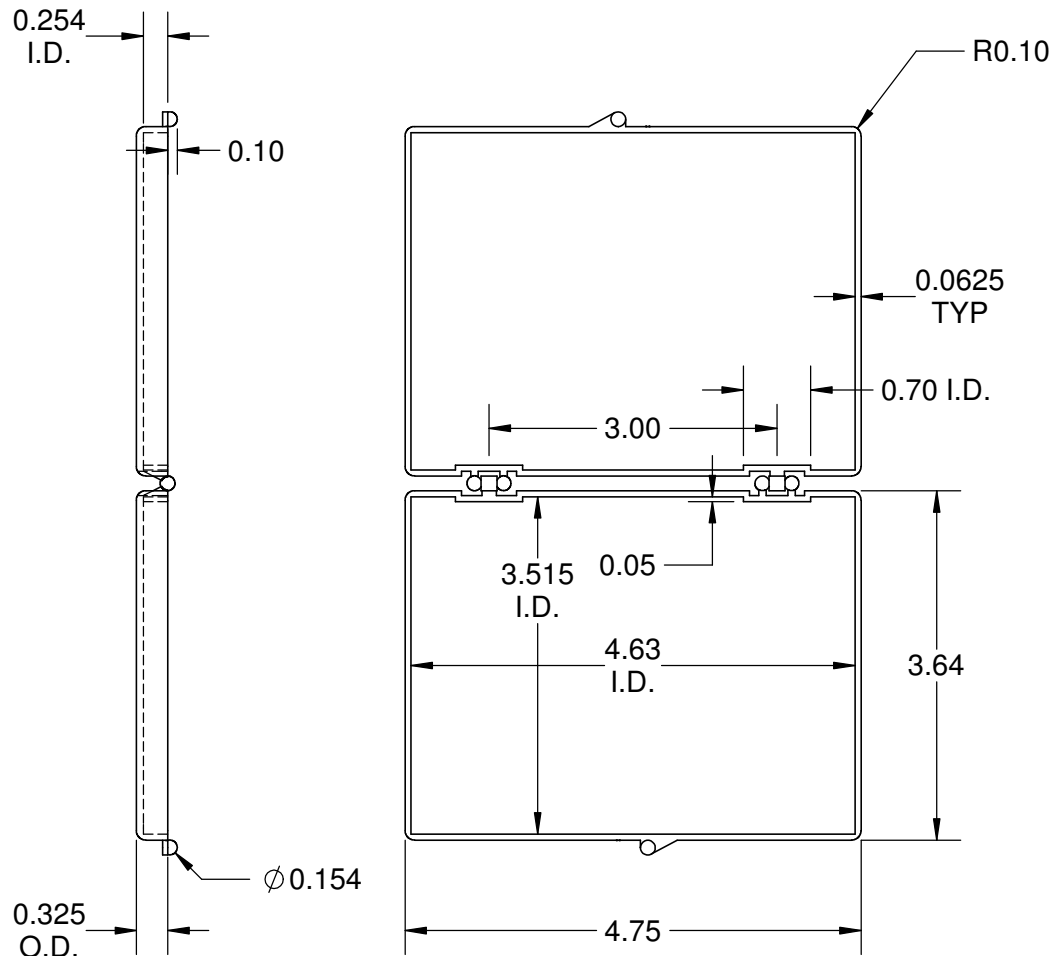


**DWG 090009  
 BOTTOM LABEL**

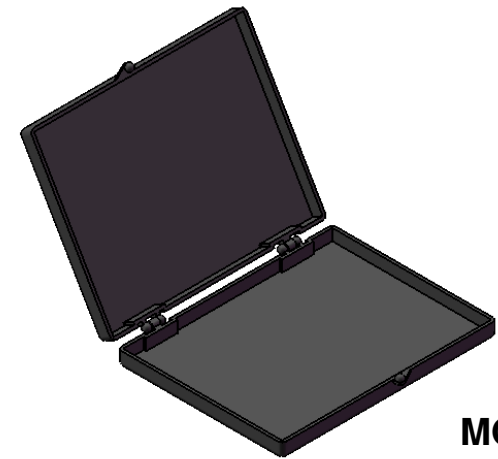
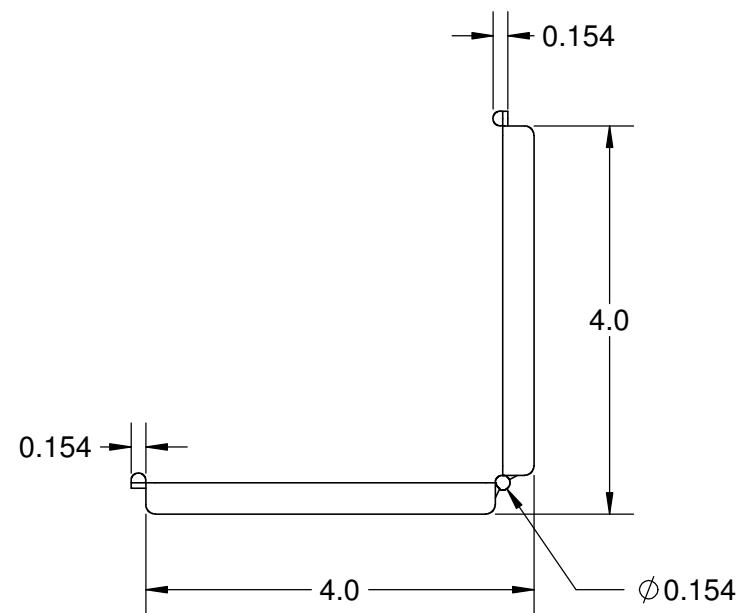


<b>TopLine</b> <sup>®</sup>			
TITLE		CLGA1752 PACKAGING TRAY BOX	
SCALE	SIZE	DRAWING NO.	REV
2:3	A	921420	A
DO NOT SCALE DRAWING			SHEET 2 OF 9

**TOP (OPEN)**

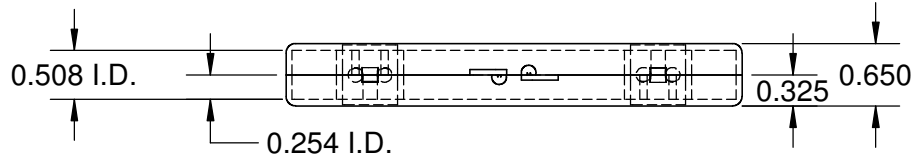


**SIDE VIEW (OPEN)**



**MODEL**

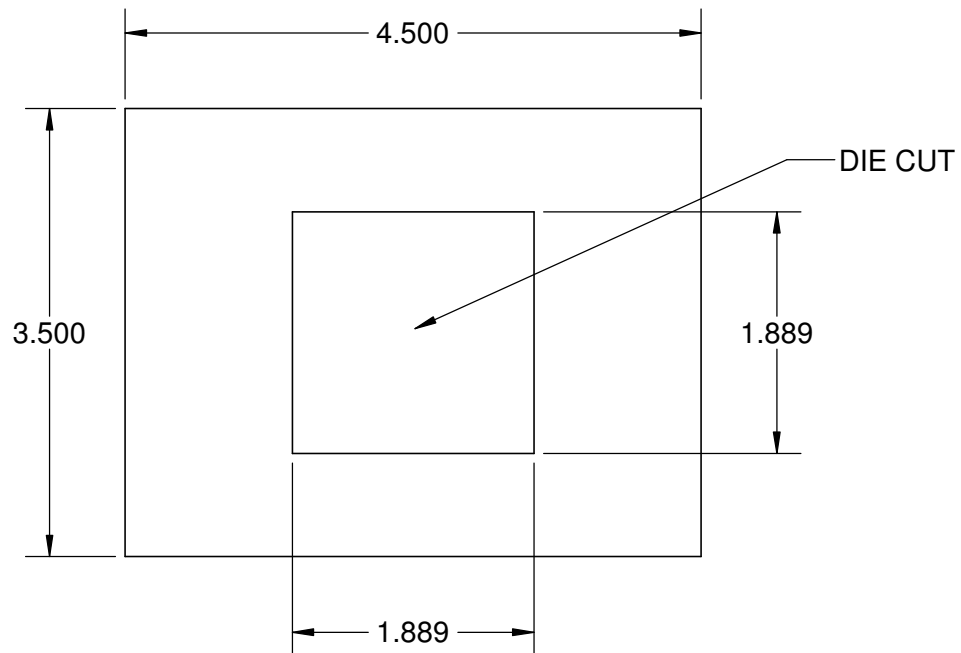
**FRONT (CLOSED)**



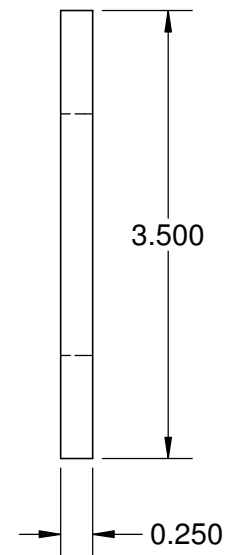
- Notes: (Unless Otherwise Specified).
- 1) SURFACE RESISTIVITY:  $10^3 \Omega$  TO  $10^6 \Omega$  PER SQUARE.
  - 2) MATERIAL: CARBON FILLED POLYPROPYLENE.
  - 3) DIMENSIONS IN INCHES.

<b>TopLine®</b>			
TITLE		EC1 (EMPTY BOX) HINGE BOX	
SCALE	SIZE	DRAWING NO.	REV
1:2	A	090000	A
DO NOT SCALE DRAWING			SHEET 3 OF 9

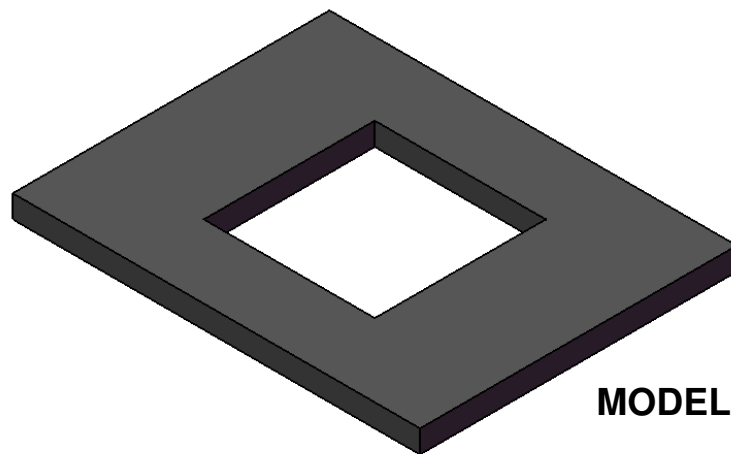
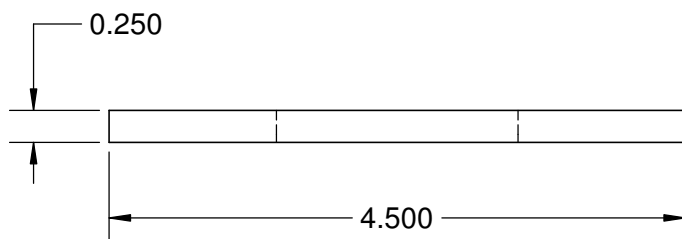
**TOP**



**EDGE**



**SIDE**



**MODEL**

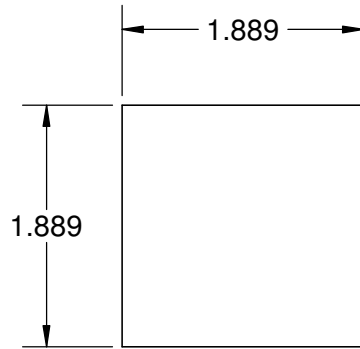
Notes: (Unless Otherwise Specified).

- 1) SURFACE RESISTIVITY:  $10^3 \Omega$  TO  $10^6 \Omega$  PER SQUARE.
- 2) DENSE CONDUCTIVE FOAM.
- 3) DENSITY 2.0 PFC Min.

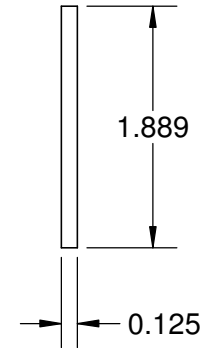
**TopLine®**

TITLE			
EC1-FOAM-INSERT-A HIGH DENSITY FOAM			
SCALE	SIZE	DRAWING NO.	REV
1:1.5	A	921420	A
DO NOT SCALE DRAWING			SHEET 4 OF 9

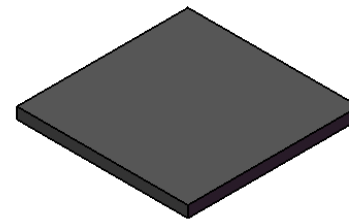
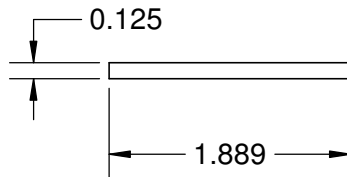
### TOP



### EDGE



### SIDE



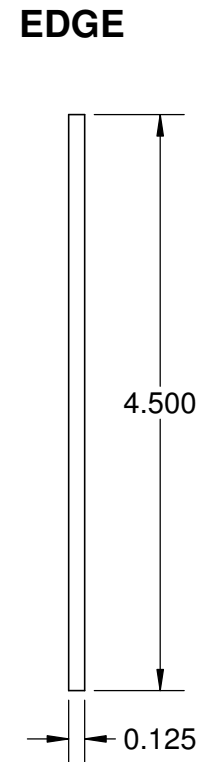
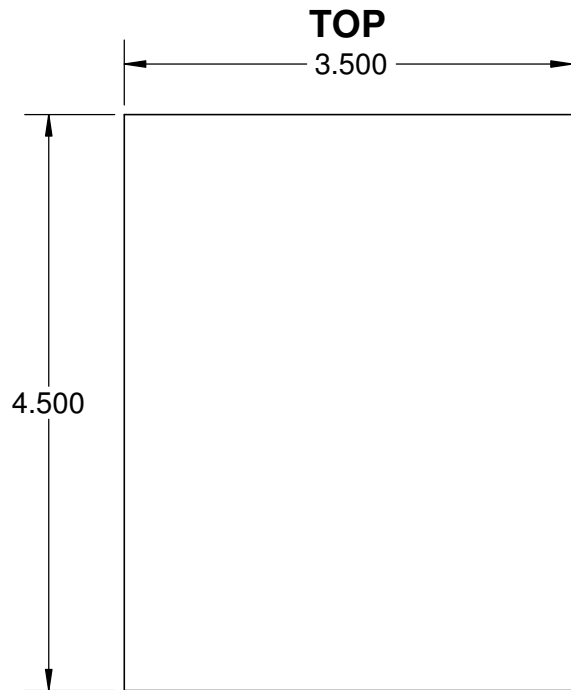
### MODEL

Notes: (Unless Otherwise Specified).

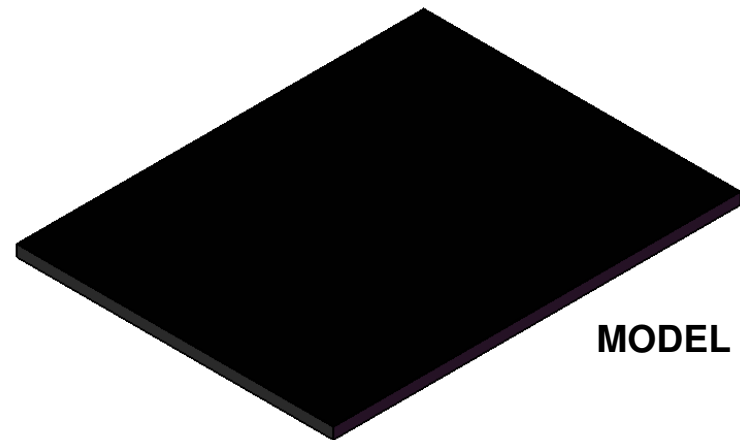
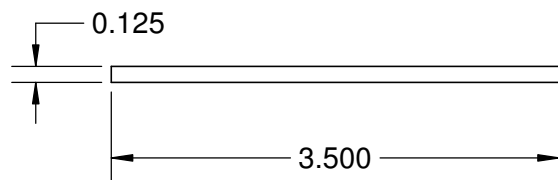
- 1) SURFACE RESISTIVITY:  $10^3 \Omega$  TO  $10^6 \Omega$  PER SQUARE.
- 2) SOFT CONDUCTIVE FOAM.
- 3) DENSITY 1.7 PFC Min.

**TopLine<sup>®</sup>**

TITLE				LOW DENSITY FOAM FOAM-SOFT-1.889-A			
SCALE	SIZE	DRAWING NO.		REV			
1:1.5	A	090014		A			
DO NOT SCALE DRAWING						SHEET 5 OF 9	



**SIDE**

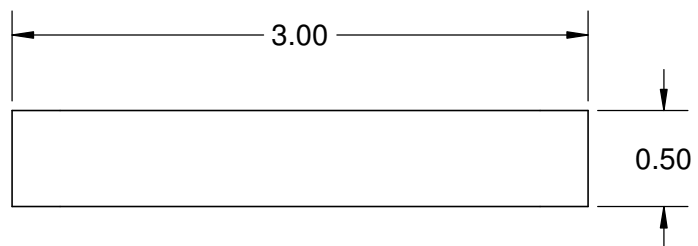


Notes: (Unless Otherwise Specified).

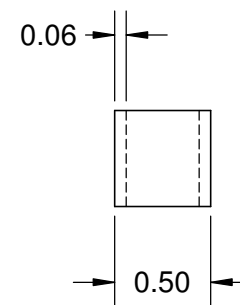
- 1) SURFACE RESISTIVITY:  $10^3 \Omega$  TO  $10^6 \Omega$  PER SQUARE.
- 2) SOFT CONDUCTIVE FOAM.
- 3) DENSITY 1.7 PFC Min.

<b>TopLine®</b>			
TITLE EC1-FOAM-SOFT-.125-A LOW DENSITY FOAM			
SCALE 1:1.5	SIZE A	DRAWING NO. 090006	REV A
DO NOT SCALE DRAWING			SHEET 6 OF 9

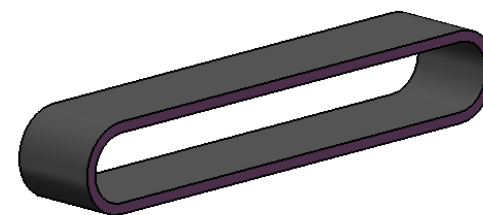
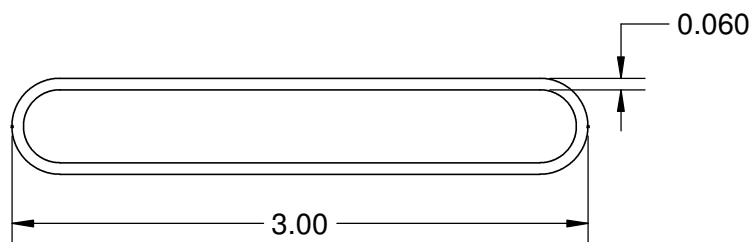
### TOP



### EDGE



### SIDE

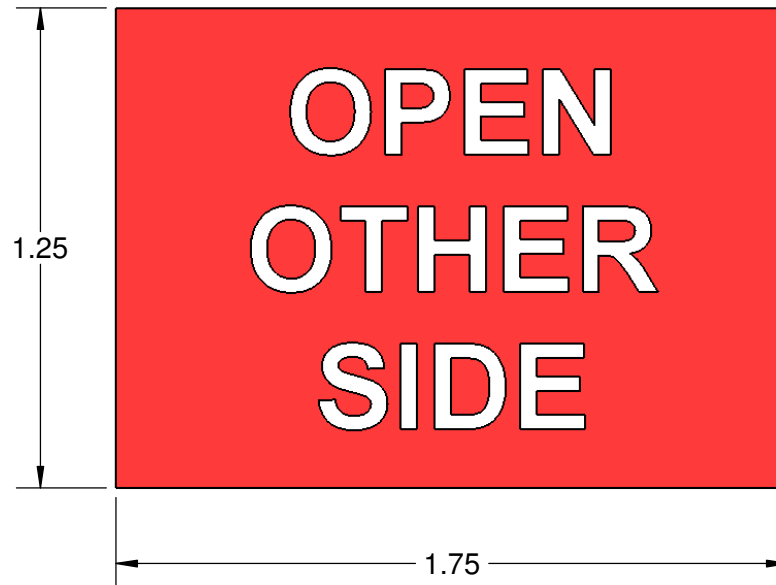


### MODEL

Notes: (Unless Otherwise Specified).

- 1) SURFACE RESISTIVITY:  $10^3 \Omega$  TO  $10^6 \Omega$  PER SQUARE.
- 2) DIMENSIONS in INCHES (RESTING POSITION).

<b>TopLine®</b>			
TITLE		RUBBER BAND-3.0-C BLACK CONDUCTIVE	
SCALE	SIZE	DRAWING NO.	REV
1:1	A	090005	A
DO NOT SCALE DRAWING			SHEET 7 OF 9



Notes: (Unless Otherwise Specified).

1. DIMENSIONS INCHES.
2. MATERIAL: PAPER LABEL WITH ADHESIVE.
3. COLOR: RED.
4. PURPOSE: IDENTIFY BOTTOM OF HINGE BOX.

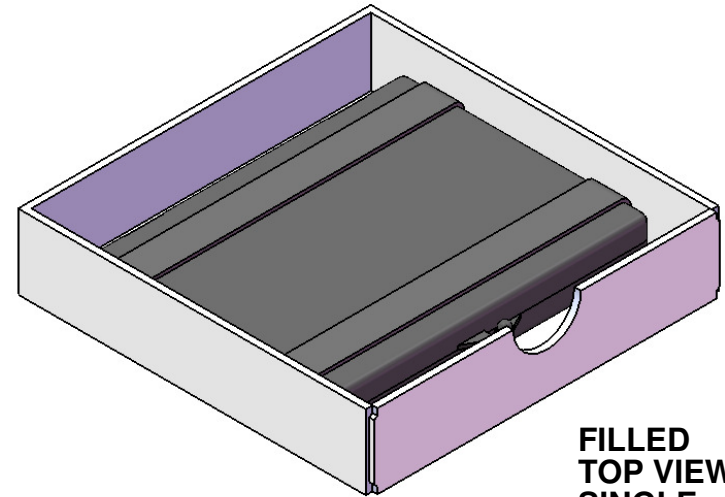
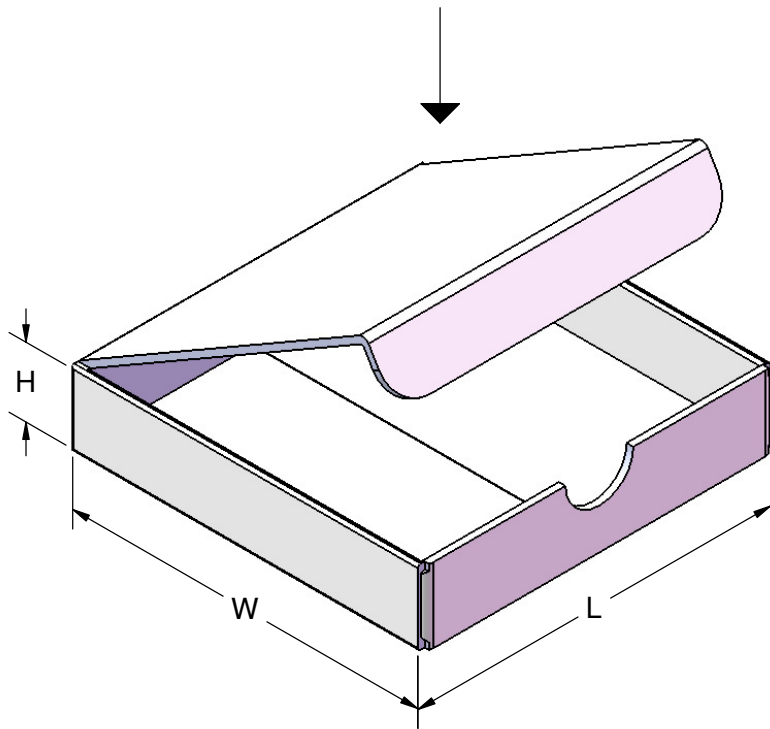
<b>TopLine<sup>®</sup></b>			
TITLE		LABEL FOR BOTTOM OF HINGE BOX	
SCALE	SIZE	DRAWING NO.	REV
2:1	A	090005	A
DO NOT SCALE DRAWING			SHEET 8 OF 9



QTY = 1



STORAGE CARTON TABLE (INCH)						
U-LINE	L	W	H	QTY	WT	DWG
S-14291	5	5	1	1	0.5-lbs	900001



FILLED  
TOP VIEW  
SINGLE

- NOTES: (Unless Otherwise Specified).
1. DIMENSIONS INCHES.
  2. MEASUREMENT INCLUDES RUBBER BANDS.
  3. WEIGHT INCLUDES CARDBOARD, PADDING & HINGE BOX.

<b>TopLine®</b>			
TITLE		CLGA1752 PACKAGING TRAY BOX	
SCALE	SIZE	DRAWING NO.	REV
1:2	A	900001	A
DO NOT SCALE DRAWING			SHEET 9 OF 9