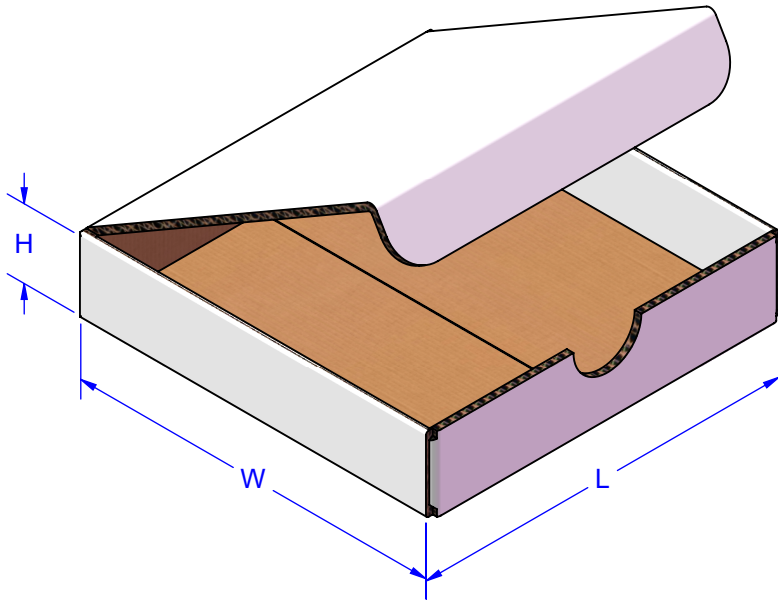
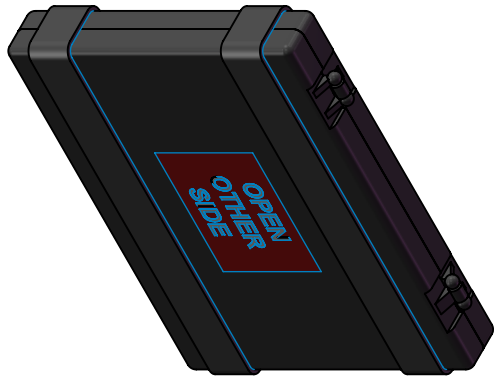
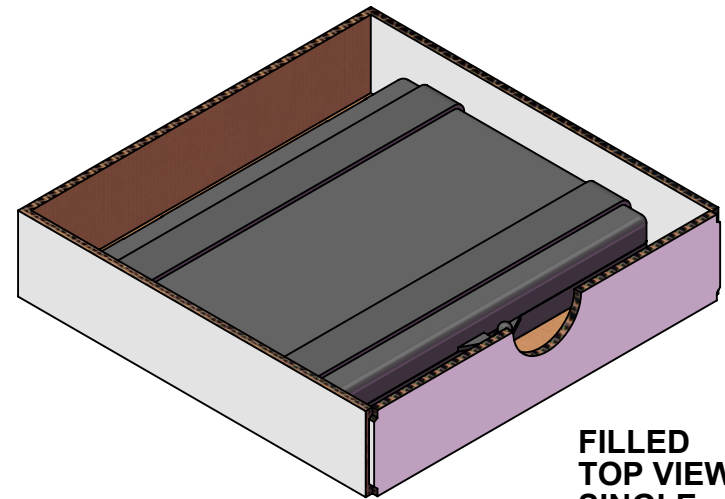


QTY = 1



**STORAGE CARTON TABLE (INCH)**

U-LINE	L	W	H	QTY	WT	DWG
S-14291	5	5	1	1	0.5-lbs	900001



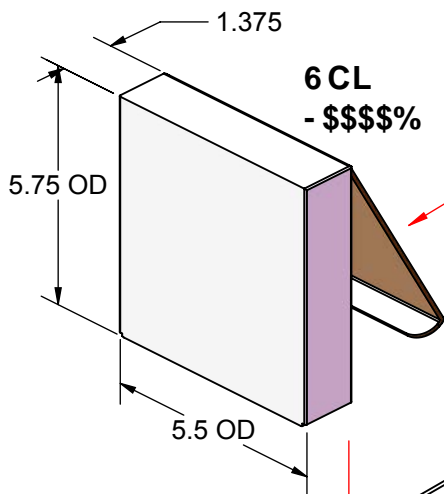
**FILLED  
TOP VIEW  
SINGLE**

NOTES: (Unless Otherwise Specified).

1. DIMENSIONS INCHES.
2. MEASUREMENT INCLUDES RUBBER BANDS.
3. WEIGHT INCLUDES CARDBOARD, PADDING & HINGE BOX.

APPROVALS	DATE	<b>TopLine®</b>			
DRAWN T.Au	07/03/17				
ENG M. Hart	07/03/17	TITLE CCGA TRAY BOX CARRIER CARTON			
MFG		SCALE 1:2	SIZE A	DRAWING NO. 900001	REV A
QA					
CUST		DO NOT SCALE DRAWING			SHEET 1 OF 2
REVISED					

**EHM1`%\$**

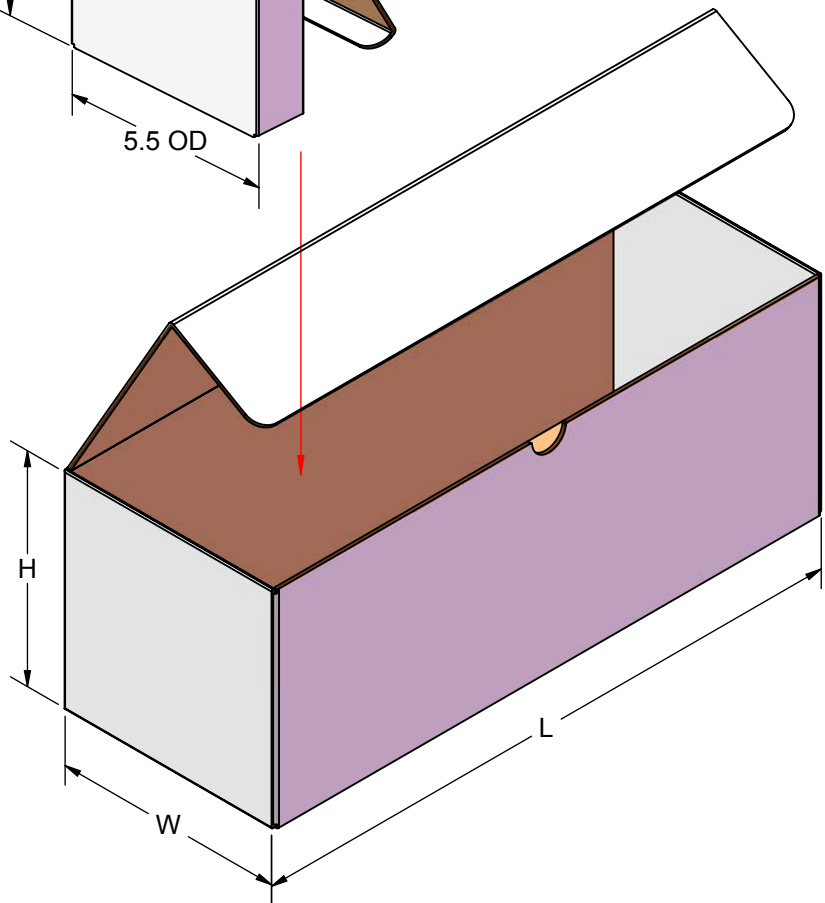


**6 CL**  
- \$\$\$%\$

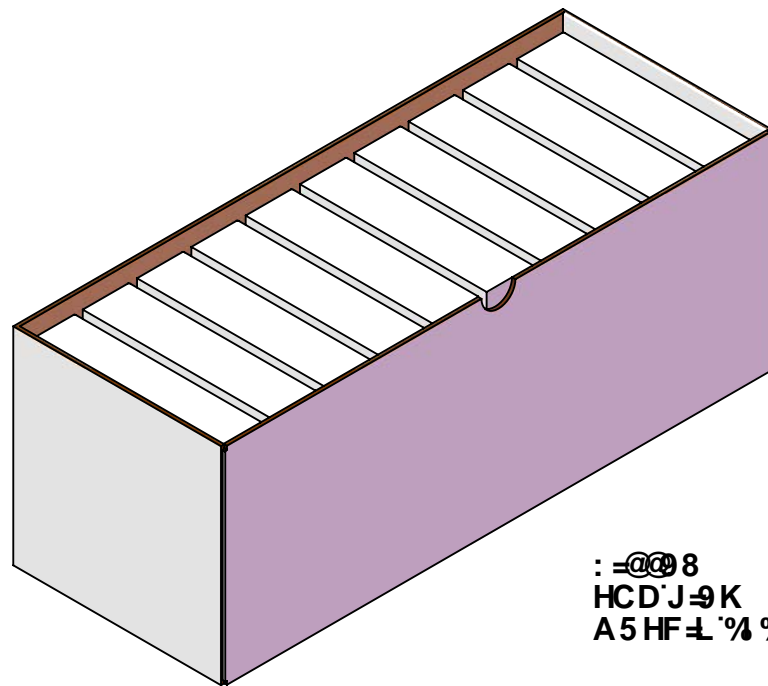


<=B; 9  
6 CL  
- \$\$\$%\$  
- \$\$\$\* &)

<b>GHCF5; 9`75 FHCB`H56 @`f#B7 &lt;L</b>						
I !@B9	@	K	<	EHM	KH	8K;
S-10705	16	6	6	10	4.0-lbs	900110



**6 CL**  
- \$\$\$%\$



: =@@8  
HCD`J`9K  
A5HF±`%`%\$

- NOTES: (Unless Otherwise Specified).  
 1. DIMENSIONS IN INCHES.  
 2. MEASUREMENT INCLUDES RUBBER BANDS.  
 3. WEIGHT INCLUDES CARDBOARD, PADDING & HINGE BOX.

APPROVALS	DATE	<b>TopLine®</b>			
DRAWN T. Au	02/29/2020				
ENG M. Hart	02/29/2020	TITLE CCGA TRAY BOX CARRIER 10X CARTON			
MFG		SCALE 1:4	SIZE A	DRAWING NO. 900110	REV A
QA		DO NOT SCALE DRAWING		SHEET 2 OF 2	
CUST					
REVISED					