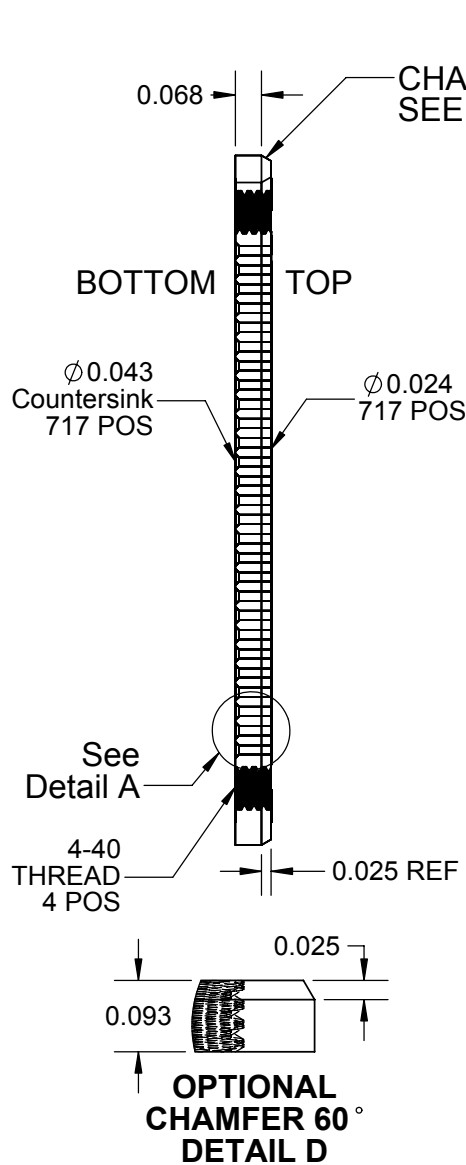
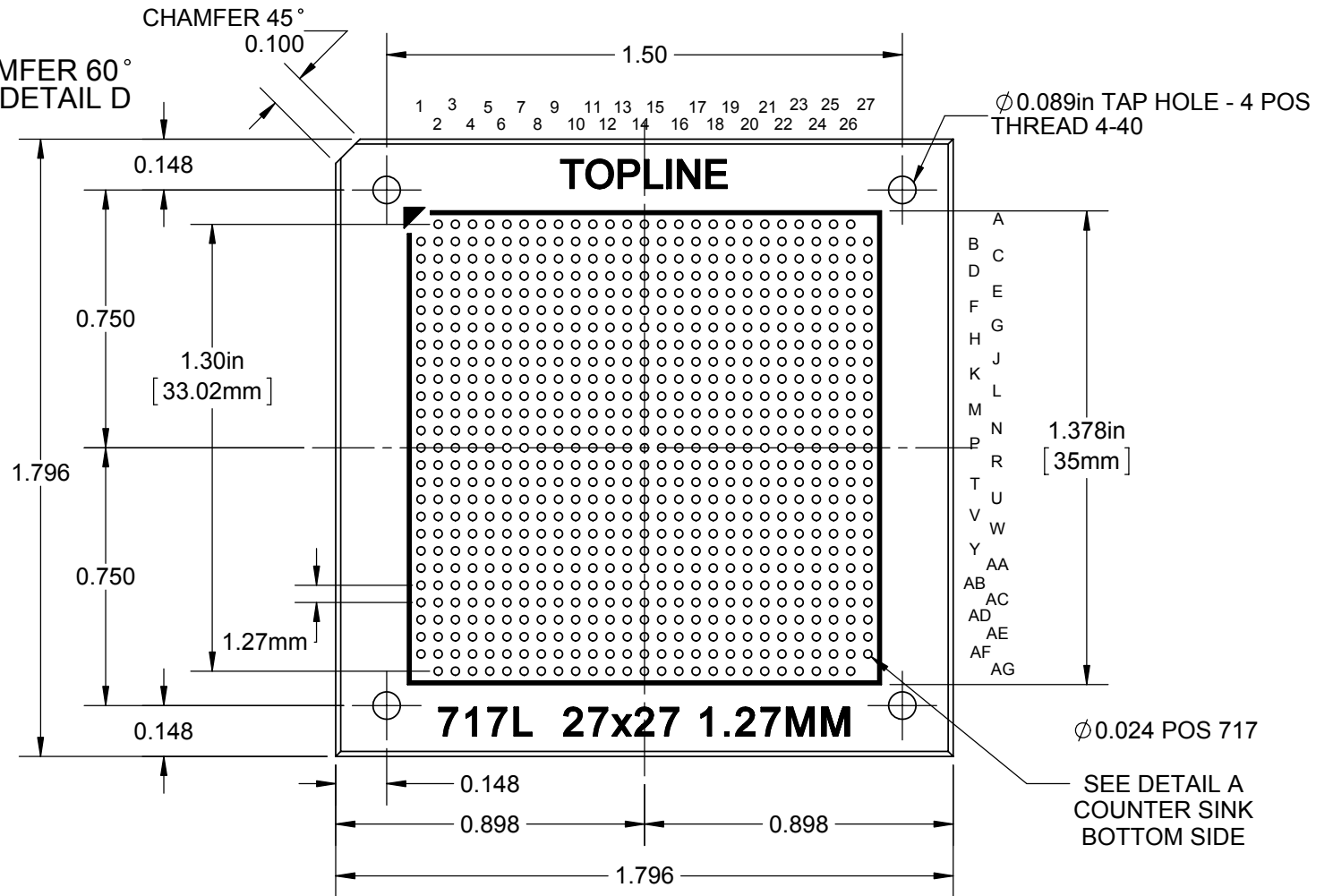


SIDE VIEW



TOP VIEW

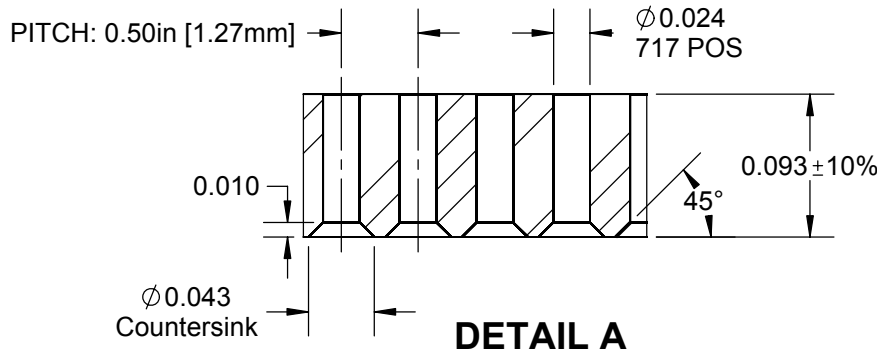
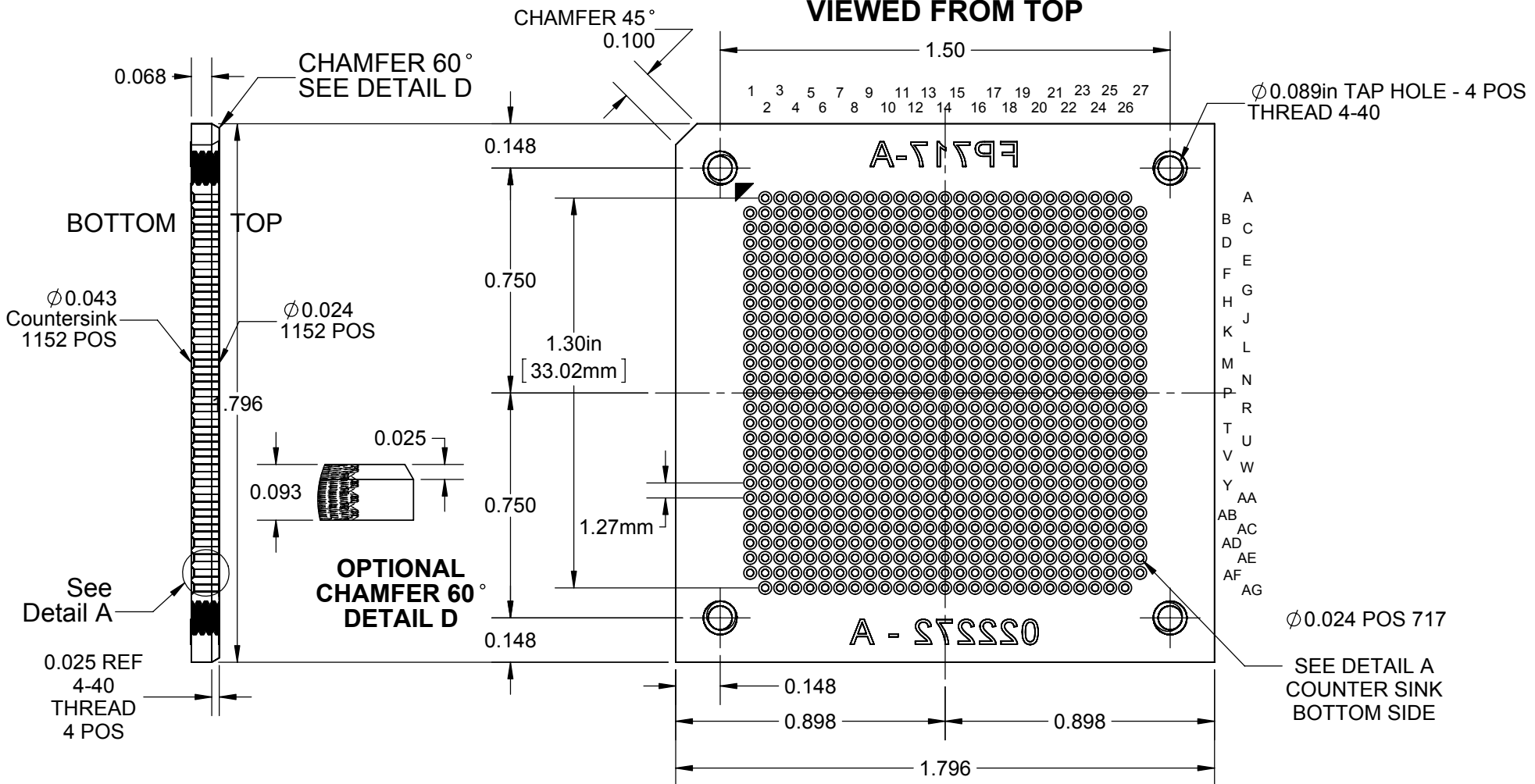


- NOTES:**
1. DIMENSIONS IN INCH UNLESS OTHERWISE STATED.
 2. MATERIAL: BLACK FR4 (ESD SAFE) .
 3. LEGEND: WHITE INK.

APPROVALS	DATE	TopLine [®]			
DRAWN T.Au	1/26/2016				
ENG M. Hart	1/26/2016	TITLE CCGA717 - 1.27MM PA1 CARRIER Ø20 MIL PIN			
MFG		SCALE	SIZE	DRAWING NO.	REV
QA		2:1	A	022272	A
CUST		DO NOT SCALE DRAWING			SHEET 1 OF 4
REVISED					

SIDE VIEW

BOTTOM VIEWED FROM TOP



HOLE CHART			
SYMBOL	DIAMETER UNPLATED THRU	COUNTER SINK	QTY
○	Ø0.024	-	717
⊕	TAPPED 0.089	-	4
⊘	4-40	-	4
◎	-	717	717
TOTAL			1442

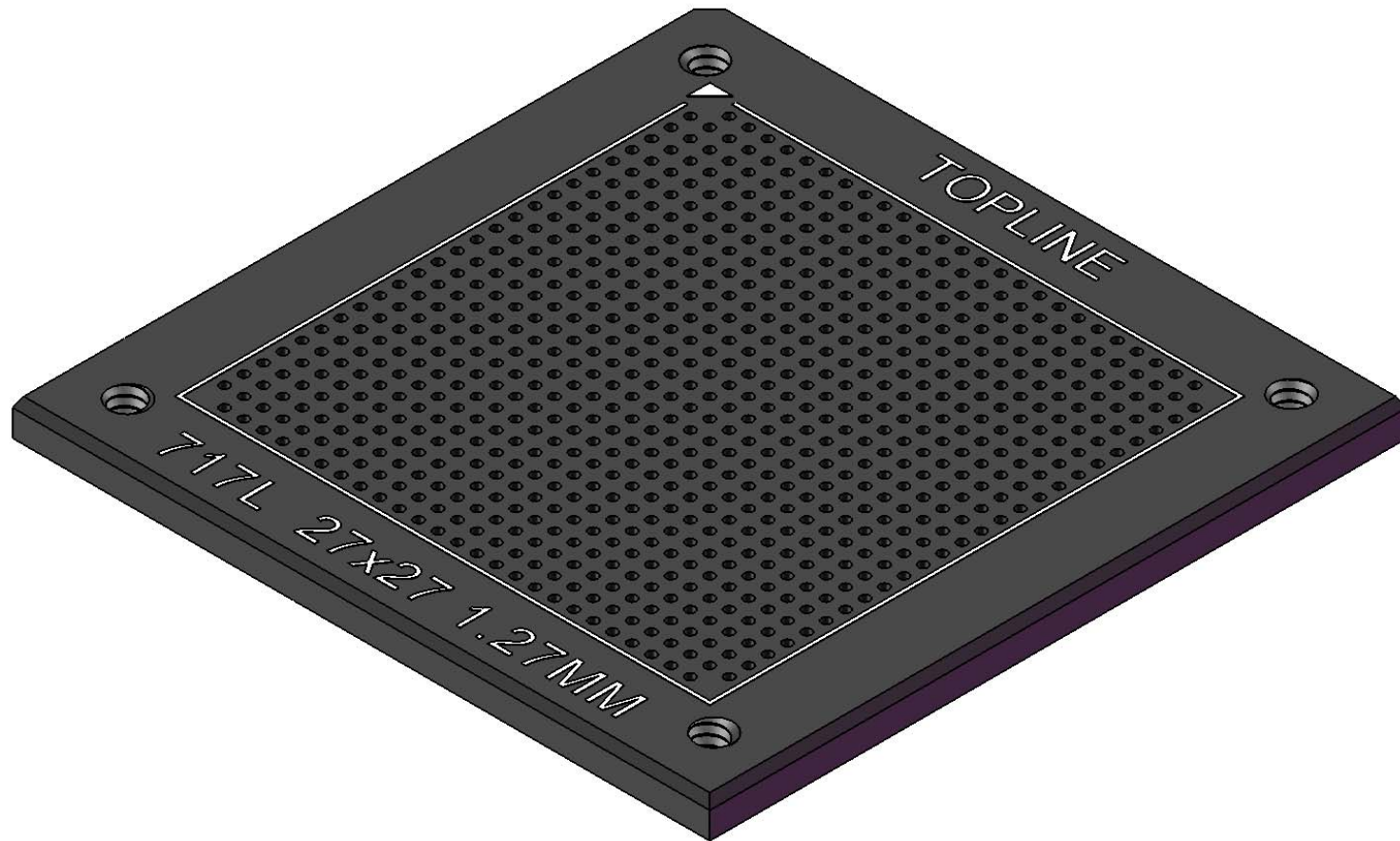
TopLine®

TITLE CCGA717 - 1.27MM PA1 CARRIER Ø20 MIL PIN

SCALE 2:1	SIZE A	DRAWING NO. 022272	REV A
-----------	--------	--------------------	-------

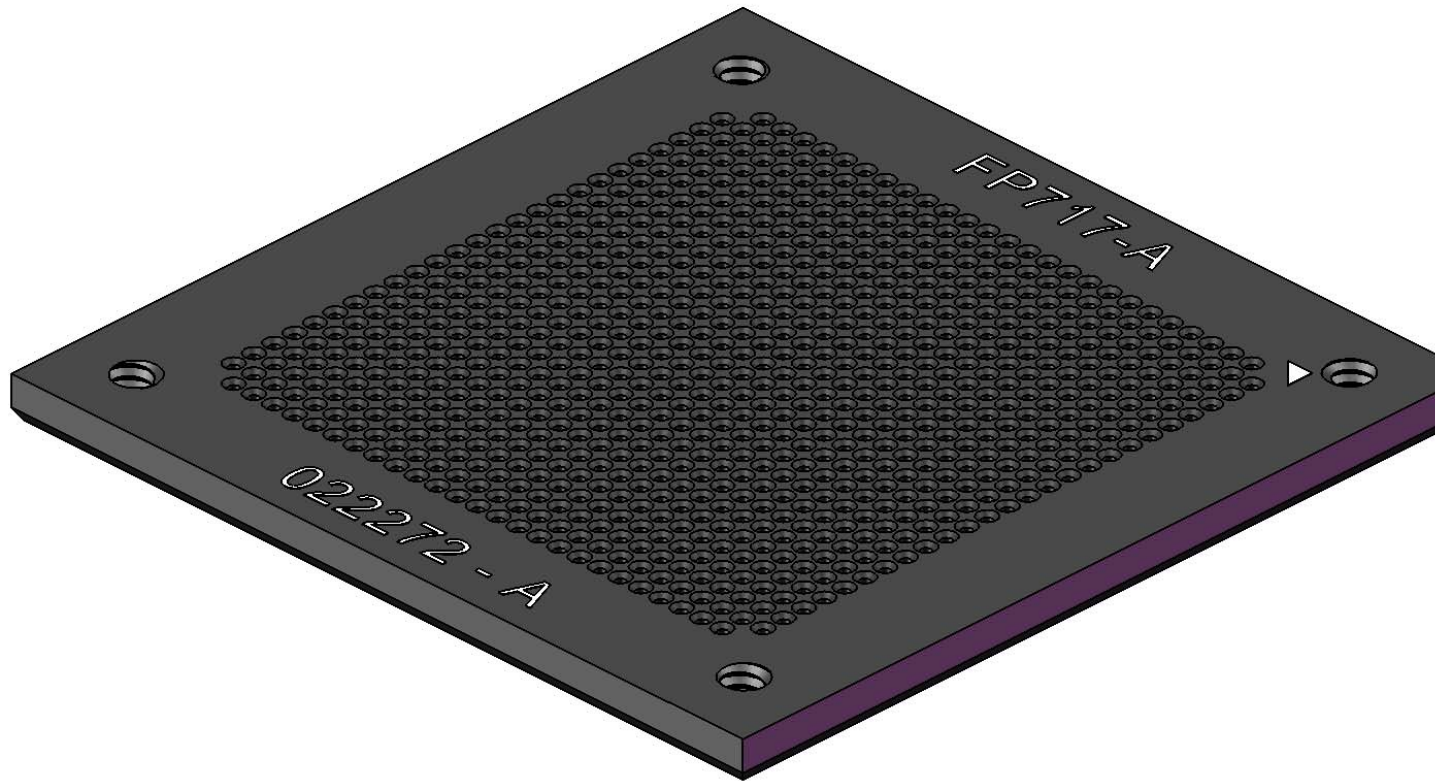
DO NOT SCALE DRAWING SHEET 2 OF 4

MODEL
TOP



TopLine[®]			
TITLE CCGA717 - 1.27MM PA1 CARRIER Ø20 MIL PIN			
SCALE 3:1	SIZE A	DRAWING NO. 022272	REV A
DO NOT SCALE DRAWING			SHEET 3 OF 4

MODEL
BOTTOM



TopLine®			
TITLE CCGA717 - 1.27MM PA1 CARRIER Ø20 MIL PIN			
SCALE 3:1	SIZE A	DRAWING NO. 022272	REV A
DO NOT SCALE DRAWING			SHEET 4 OF 4