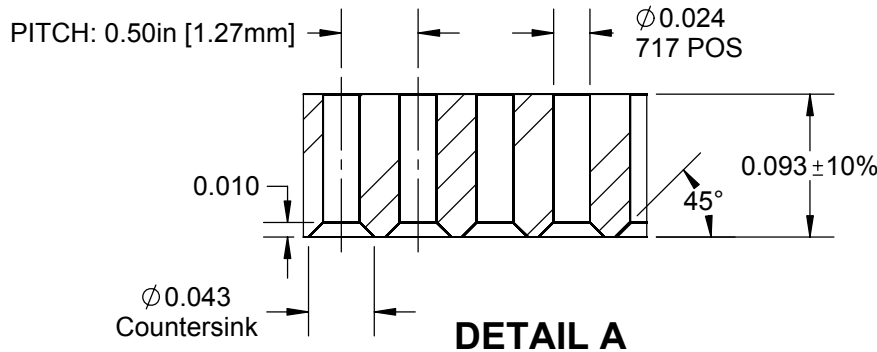
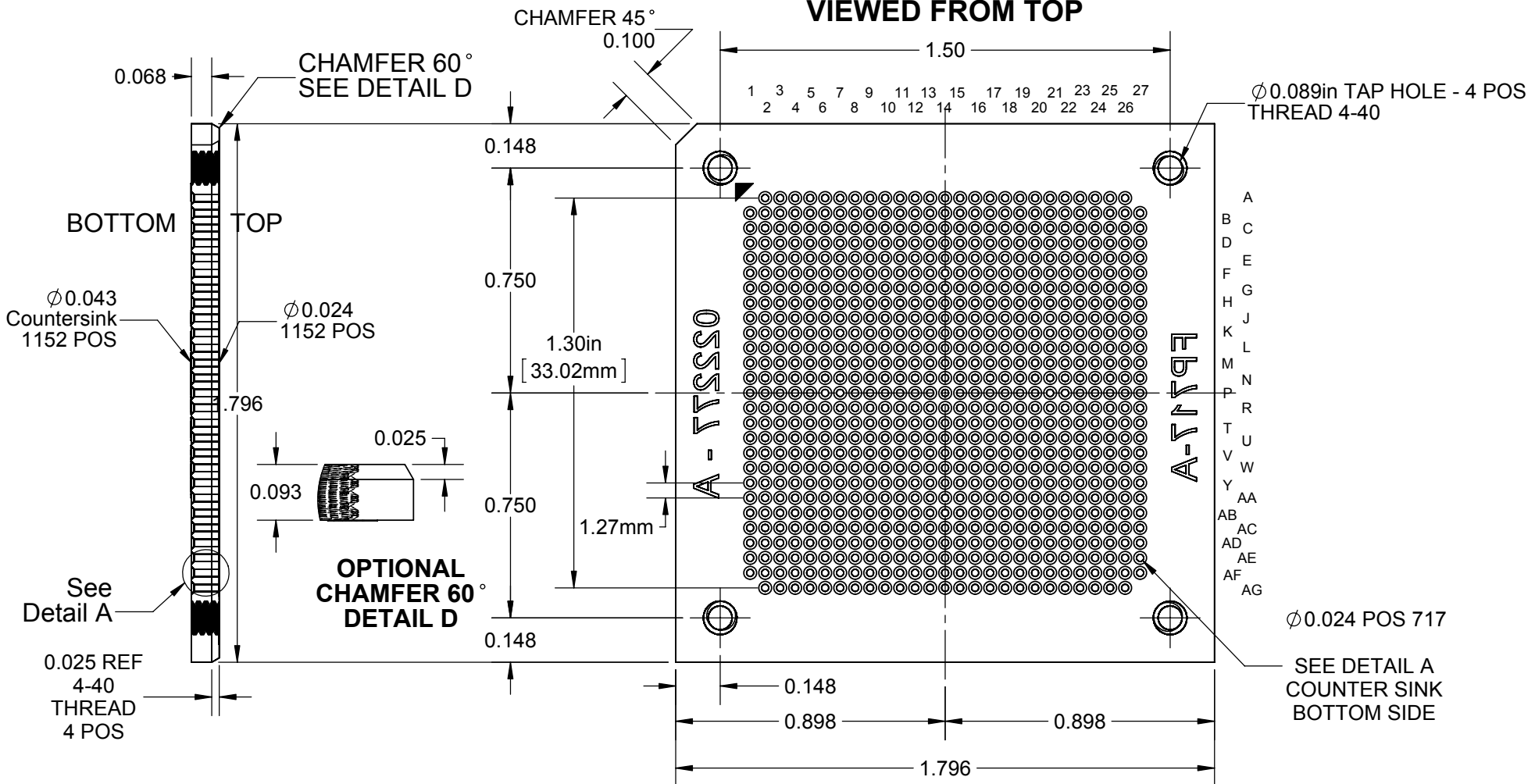


SIDE VIEW

BOTTOM VIEWED FROM TOP



HOLE CHART			
SYMBOL	DIAMETER UNPLATED THRU	COUNTER SINK	QTY
○	Ø0.024	-	717
⊕	TAPPED 0.089	-	4
⊘	4-40	-	4
⊙	-	717	717
TOTAL			1442

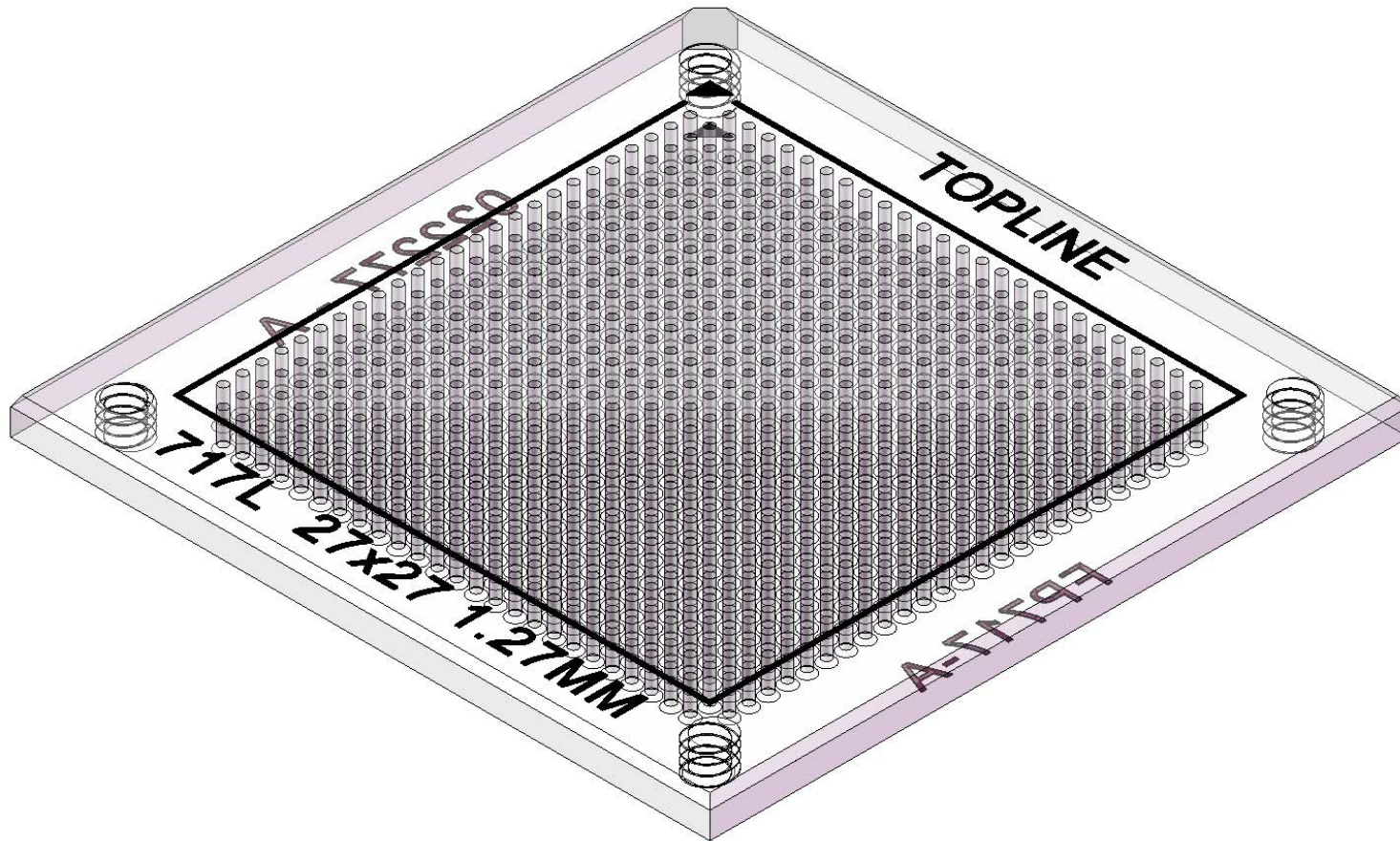
TopLine®

TITLE CCGA717 - 1.27MM
PA1 CARRIER Ø20 MIL PIN

SCALE 2:1	SIZE A	DRAWING NO. 022277	REV A
--------------	-----------	-----------------------	----------

DO NOT SCALE DRAWING SHEET 2 OF 4

MODEL
TOP



TopLine[®]

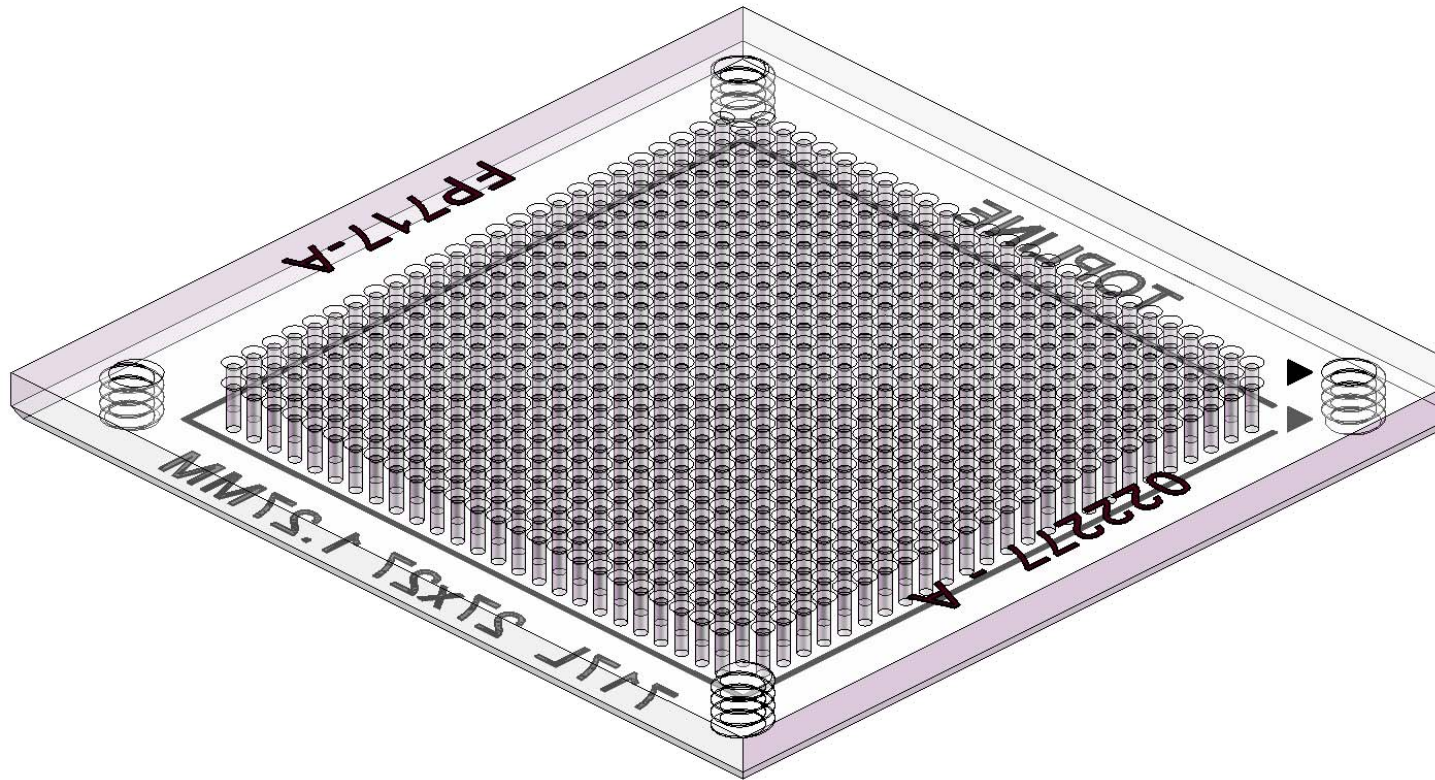
TITLE CCGA717 - 1.27MM
PA1 CARRIER Ø20 MIL PIN

SCALE	SIZE	DRAWING NO.	REV
3:1	A	022277	A

DO NOT SCALE DRAWING

SHEET 3 OF 4

**MODEL
BOTTOM**



TopLine®			
TITLE CCGA717 - 1.27MM PA1 CARRIER Ø20 MIL PIN			
SCALE 3:1	SIZE A	DRAWING NO. 022277	REV A
DO NOT SCALE DRAWING			SHEET 4 OF 4