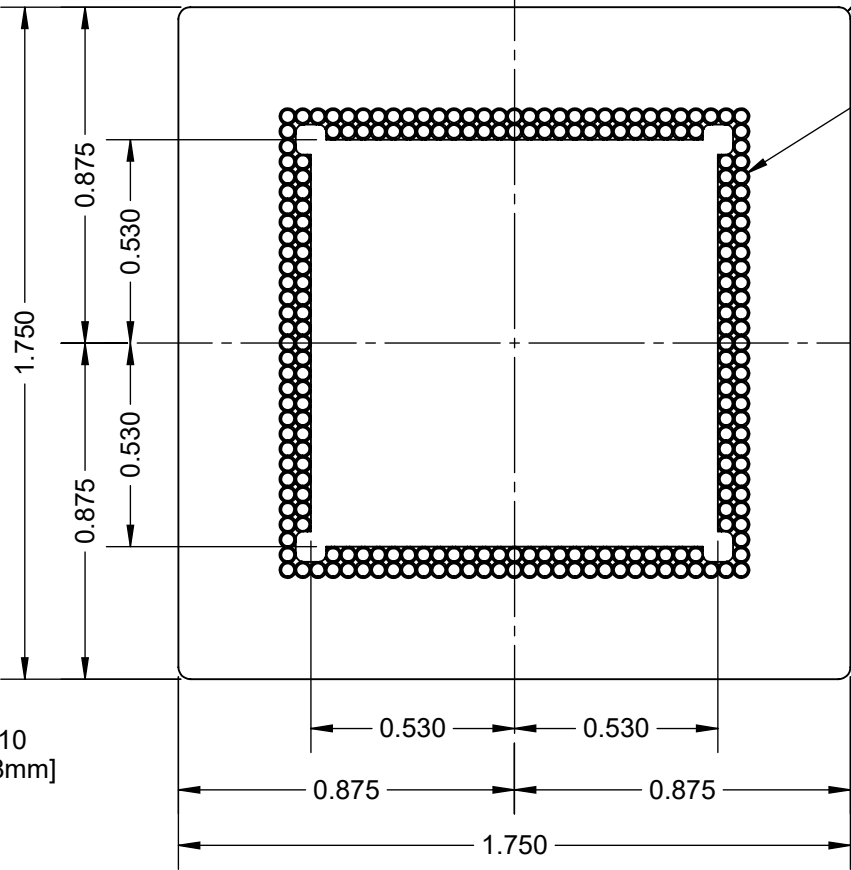
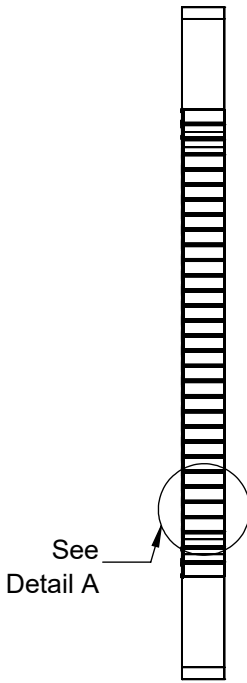


SIDE VIEW

TOP VIEW



R0.031
4 POS

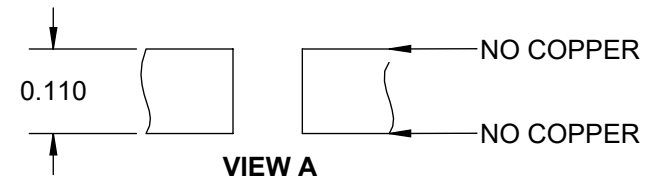
Ø0.0335
X220

HOLE CHART		
SYMBOL	DIAMETER UNPLATED THRU	QTY PCB
+	Ø0.0335±0.003	220

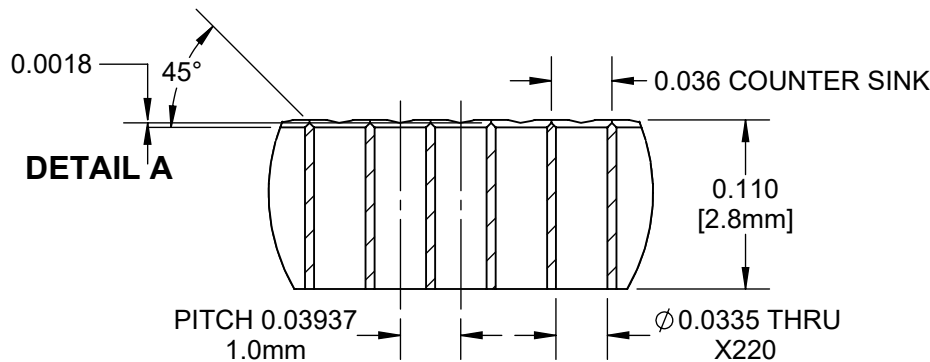
FAB NOTES:

1. MATERIAL:

- A. NO COPPER (0/0).
- B. CONDUCTIVE PLASTIC BLACK
- C. RAW MATERIAL DWG 120280
- D. eM22 10⁴~ 10⁶ Ω.



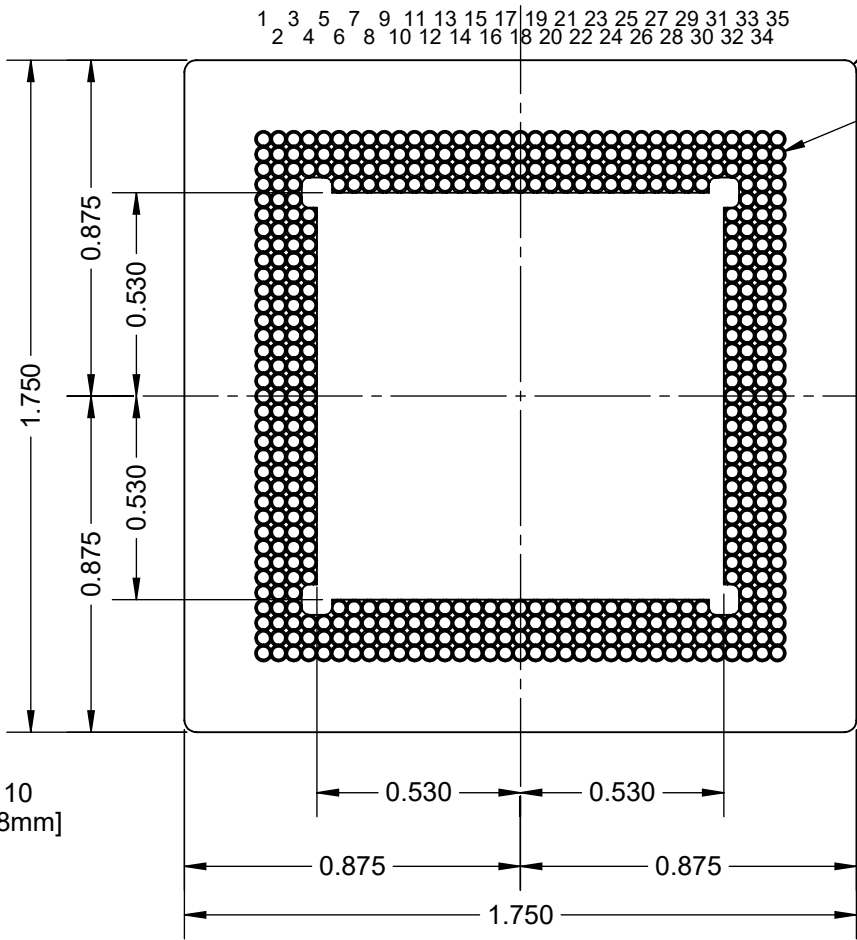
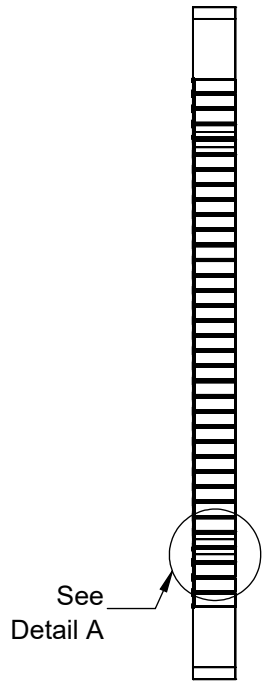
**VIEW A
CONSTRUCTION
SCALE: NONE**



APPROVALS	DATE	TopLine®			
DRAWN T.Au	12/22/2019				
ENG M. Hart	12/22/2019	TITLE CCGA896 TRAY STABILIZER 31 x 31mm			
MFG		SCALE	SIZE	DRAWING NO.	REV
QA		2:1	A	021312	A
CUST		DO NOT SCALE DRAWING			SHEET 1 OF 7
REVISED					

SIDE VIEW

TOP VIEW



R0.031
4 POS

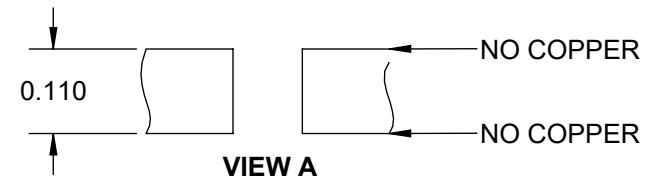
Ø0.0335
X484

HOLE CHART		
SYMBOL	DIAMETER UNPLATED THRU	QTY PCB
+	Ø0.0335±0.003	484

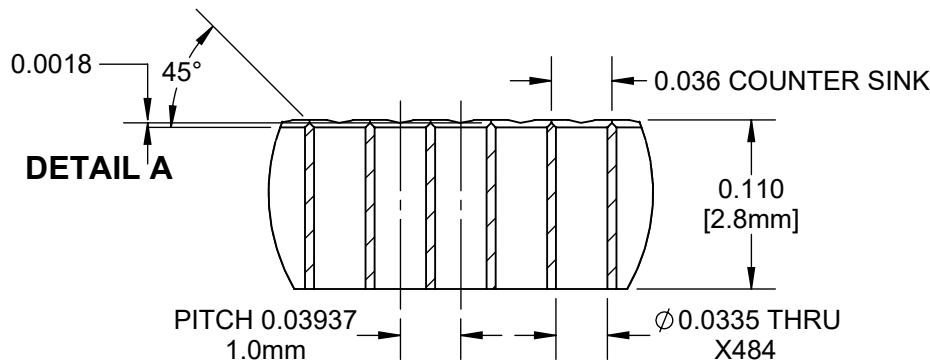
FAB NOTES:

1. MATERIAL:

- A. NO COPPER (0/0).
- B. CONDUCTIVE PLASTIC BLACK
- C. RAW MATERIAL DWG 120280
- D. eM22 10⁴~ 10⁶ Ω.



**VIEW A
CONSTRUCTION
SCALE: NONE**



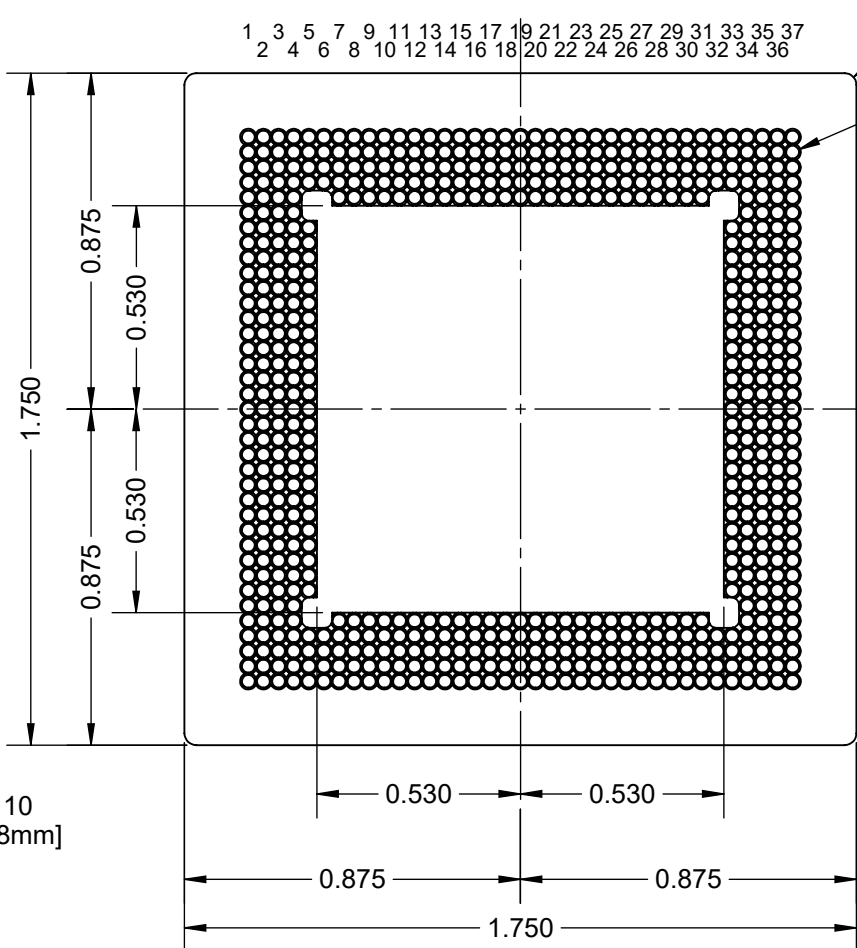
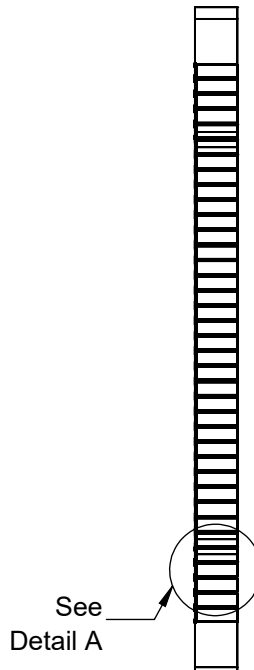
TopLine®

TITLE CCGA1152 TRAY STABILIZER
35 x 35mm

SCALE 2:1	SIZE A	DRAWING NO. 021352	REV A
--------------	-----------	-----------------------	----------

SIDE VIEW

TOP VIEW

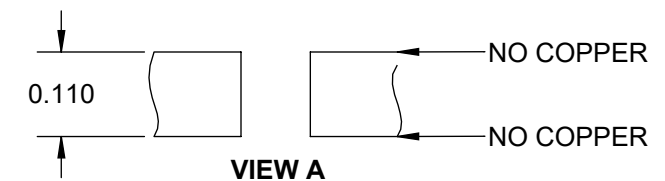


HOLE CHART		
SYMBOL	DIAMETER UNPLATED THRU	QTY PCB
+	Ø0.0335±0.003	628

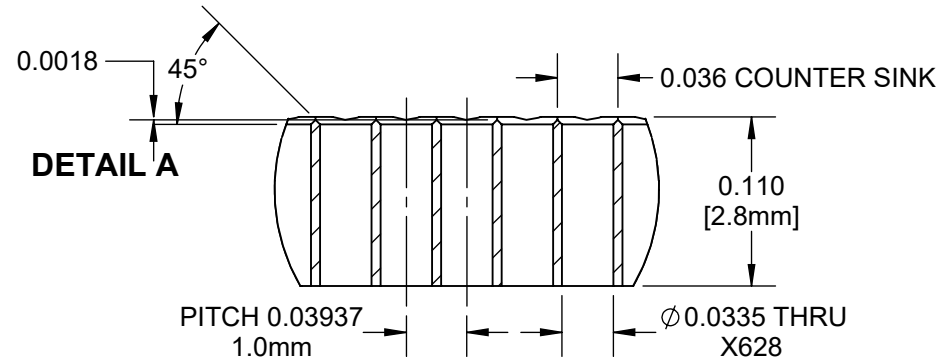
FAB NOTES:

1. MATERIAL:

- A. NO COPPER (0/0).
- B. CONDUCTIVE PLASTIC BLACK
- C. RAW MATERIAL DWG 120280
- D. eM22 10⁴~10⁶ Ω.



**VIEW A
CONSTRUCTION
SCALE: NONE**



DETAIL A

TopLine®

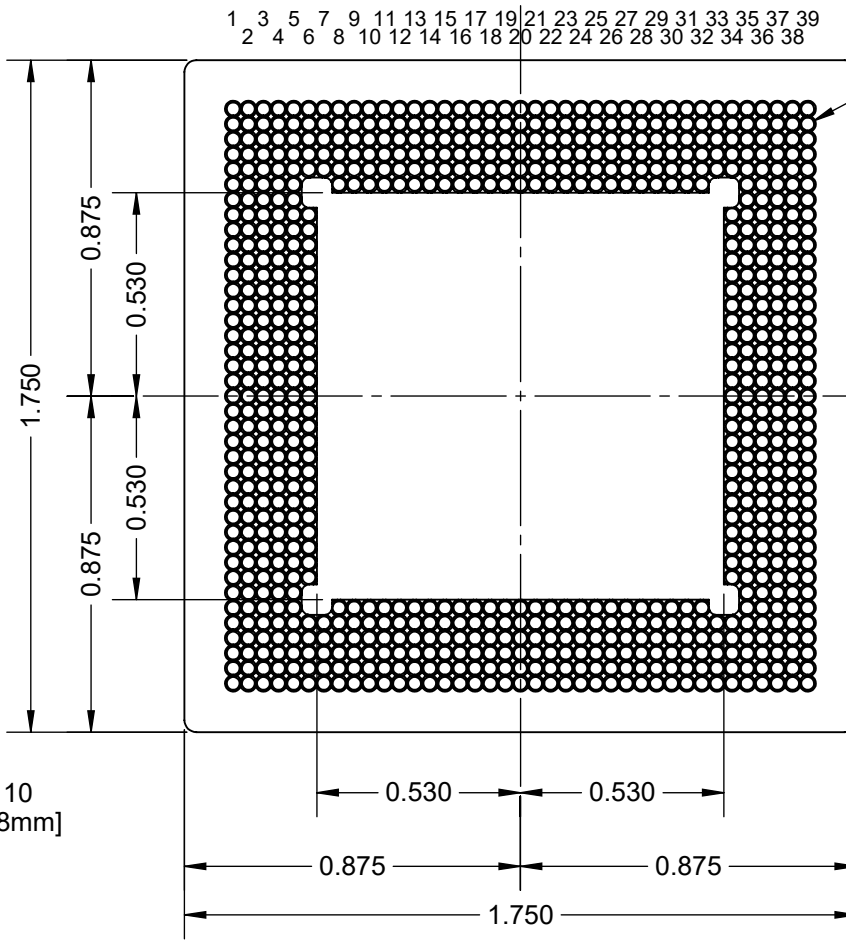
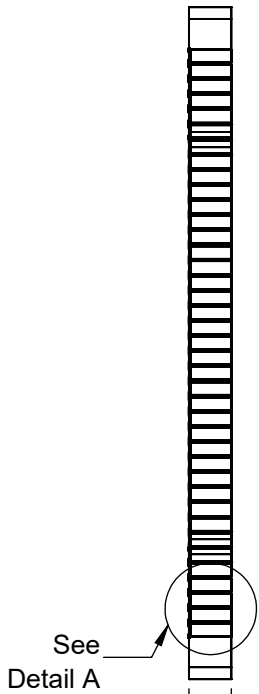
TITLE CCGA1272 TRAY STABILIZER
37.5 x 37.5mm

SCALE 2:1	SIZE A	DRAWING NO. 021372	REV A
--------------	-----------	-----------------------	----------

DO NOT SCALE DRAWING SHEET 3 OF 7

SIDE VIEW

TOP VIEW



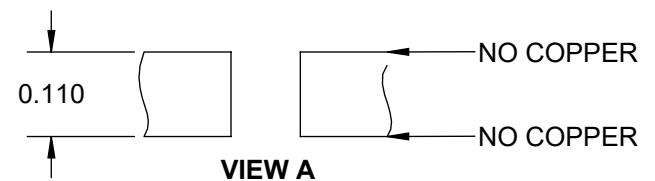
R0.031
4 POS
Ø0.0335
X780

HOLE CHART		
SYMBOL	DIAMETER UNPLATED THRU	QTY PCB
+	Ø0.0335±0.003	780

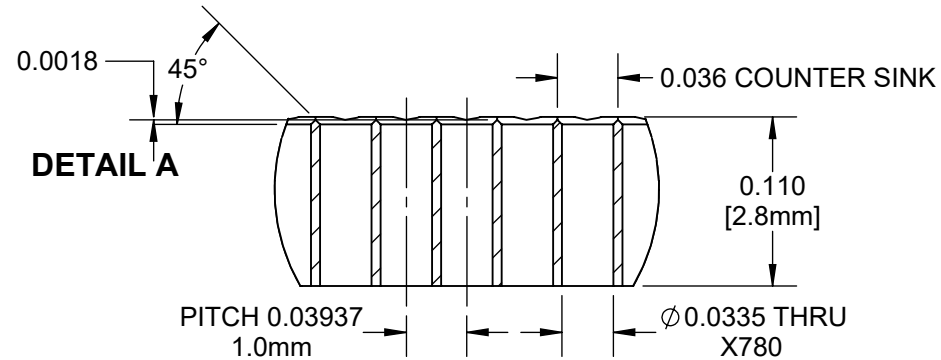
FAB NOTES:

1. MATERIAL:

- A. NO COPPER (0/0).
- B. CONDUCTIVE PLASTIC BLACK
- C. RAW MATERIAL DWG 120280
- D. eM22 10⁴~ 10⁶ Ω.



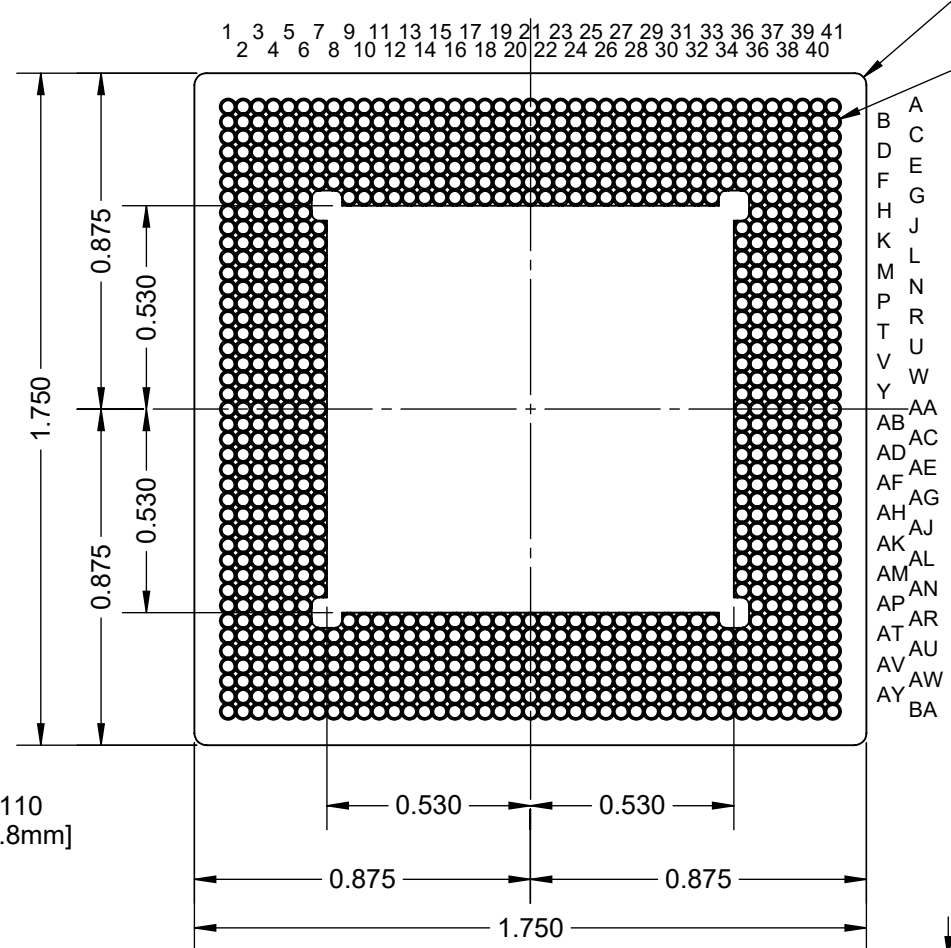
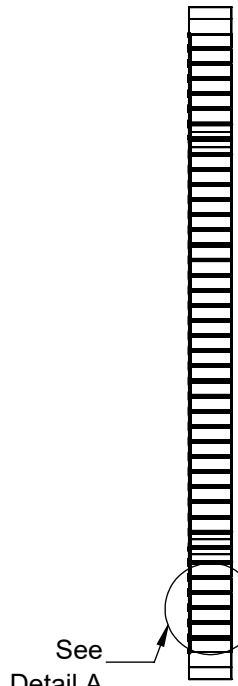
**VIEW A
CONSTRUCTION
SCALE: NONE**



TITLE CCGA1517 TRAY STABILIZER 40 x 40mm			
SCALE 2:1	SIZE A	DRAWING NO. 021392	REV A
DO NOT SCALE DRAWING		SHEET 4 OF 7	

SIDE VIEW

TOP VIEW



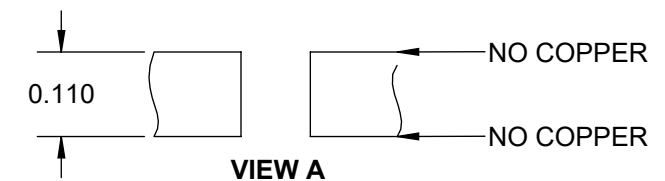
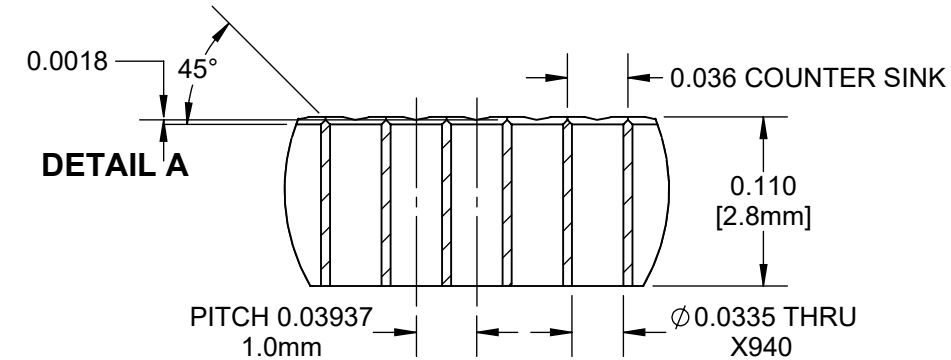
R0.031
4 POS
Ø0.0335
X940

HOLE CHART		
SYMBOL	DIAMETER UNPLATED THRU	QTY PCB
+	Ø0.0335±0.003	940

FAB NOTES:

1. MATERIAL:

- A. NO COPPER (0/0).
- B. CONDUCTIVE PLASTIC BLACK
- C. RAW MATERIAL DWG 120280
- D. eM22 10⁴~ 10⁶ Ω.

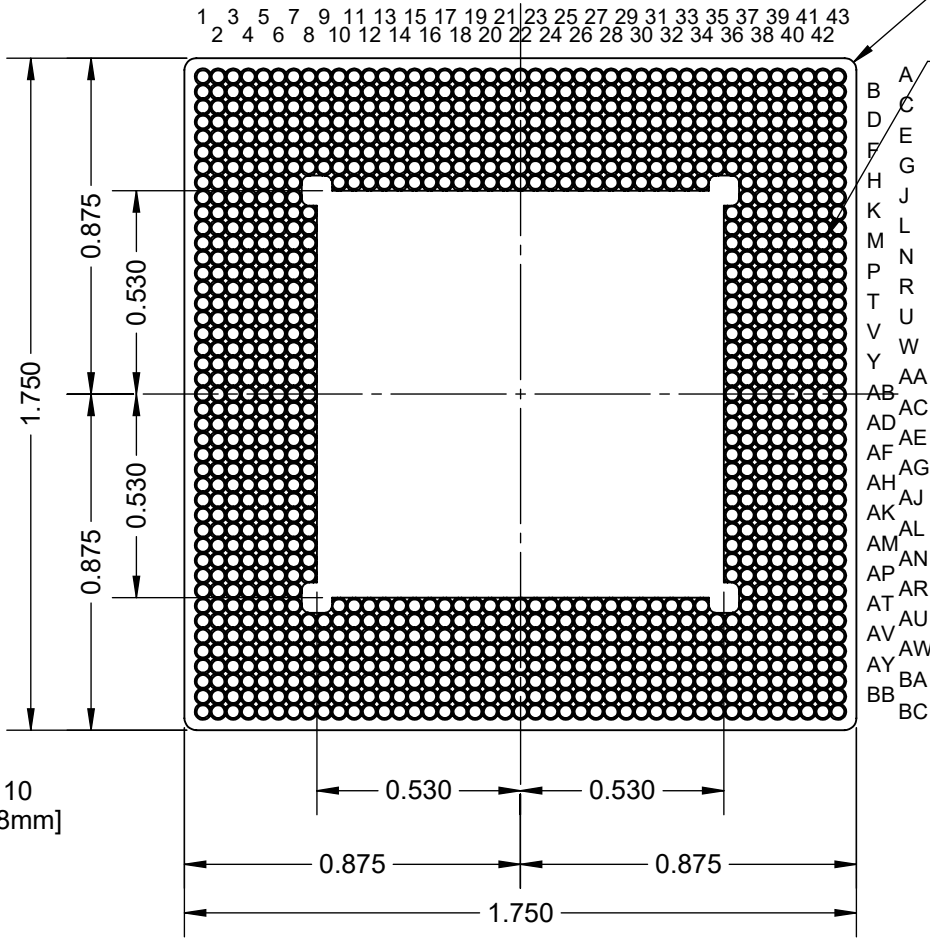
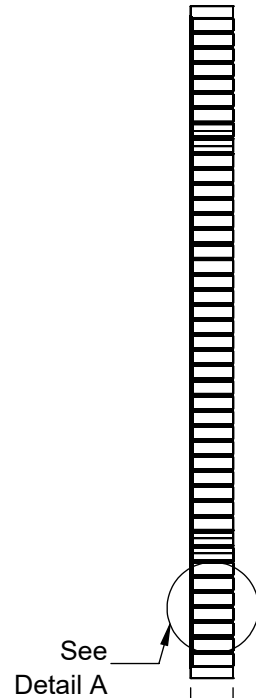


**VIEW A
CONSTRUCTION
SCALE: NONE**

TopLine®			
TITLE CCGA1657 TRAY STABILIZER 42.5 x 42.5			
SCALE 2:1	SIZE A	DRAWING NO. 021412	REV A
DO NOT SCALE DRAWING			SHEET 5 OF 7

SIDE VIEW

TOP VIEW



R0.031
4 POS

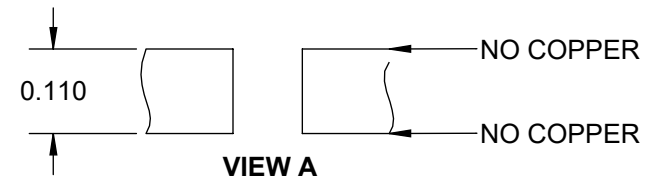
Ø0.0335
X1120

HOLE CHART		
SYMBOL	DIAMETER UNPLATED THRU	QTY PCB
+	Ø0.0335±0.003	1120

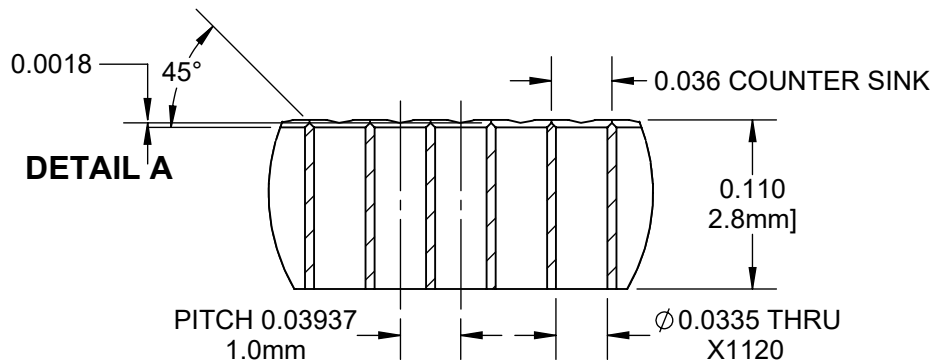
FAB NOTES:

1. MATERIAL:

- A. NO COPPER (0/0).
- B. CONDUCTIVE PLASTIC BLACK
- C. RAW MATERIAL DWG 120280
- D. eM22 10⁴~ 10⁶ Ω.



**VIEW A
CONSTRUCTION
SCALE: NONE**

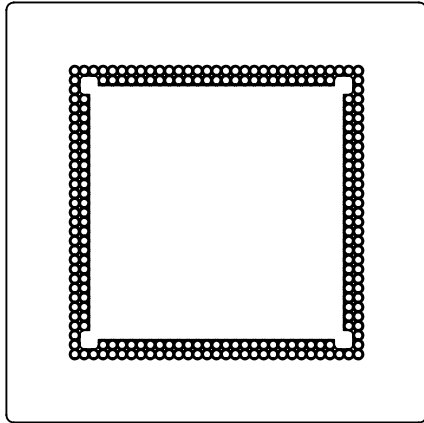


TopLine®

TITLE CCGA1849 TRAY STABILIZER
45mm x 45mm

SCALE 2:1	SIZE A	DRAWING NO. 021432	REV A
--------------	-----------	-----------------------	----------

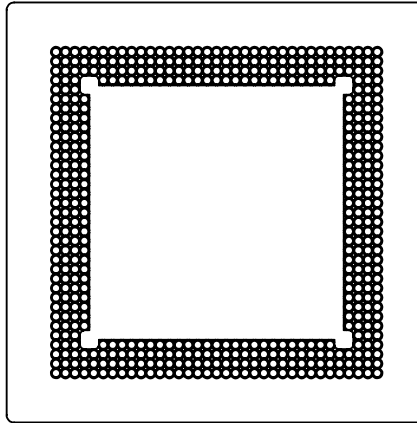
1 3 5 7 9 11 13 15 17 19 21 23 25 27 29 31
2 4 6 8 10 12 14 16 18 20 22 24 26 28 30



A
B
C
D
E
F
G
H
J
K
L
M
N
P
R
T
U
V
W
Y
AA
AB
AD
AE
AF
AG
AH
AJ
AL

CCGA896 - 31mm x 31mm
DWG 021312

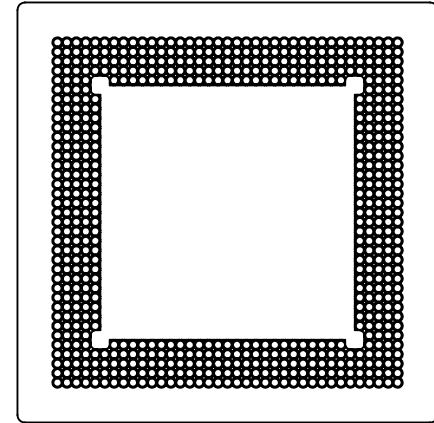
1 3 5 7 9 11 13 15 17 19 21 23 25 27 29 31 33 35
2 4 6 8 10 12 14 16 18 20 22 24 26 28 30 32 34



A
B
C
D
E
F
G
H
J
K
L
M
N
P
R
T
U
V
W
Y
AA
AB
AD
AE
AF
AG
AH
AJ
AL
AM
AN
AR

CCGA1152 35mm x 35mm
DWG 021352

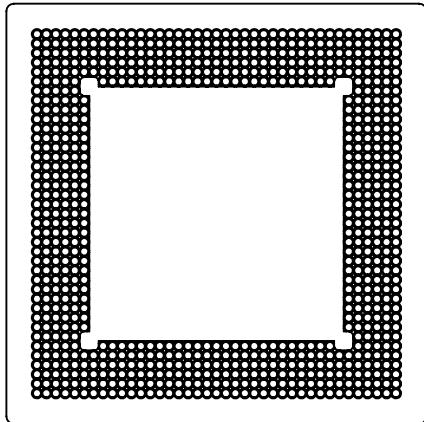
1 3 5 7 9 11 13 15 17 19 21 23 25 27 29 31 33 35 37
2 4 6 8 10 12 14 16 18 20 22 24 26 28 30 32 34 36



A
B
C
D
E
F
G
H
J
K
L
M
N
P
R
T
U
V
W
Y
AA
AB
AD
AE
AF
AG
AH
AJ
AL
AM
AN
AR
AU

CCGA1272 37.5mm x 37.5mm
DWG 021372

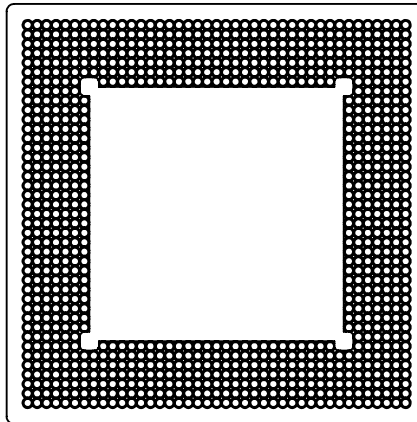
1 3 5 7 9 11 13 15 17 19 21 23 25 27 29 31 33 35 37 39
2 4 6 8 10 12 14 16 18 20 22 24 26 28 30 32 34 36 38



A
B
C
D
E
F
G
H
J
K
L
M
N
P
R
T
U
V
W
Y
AA
AB
AD
AE
AF
AG
AH
AJ
AL
AM
AN
AR
AU
AV

CCGA1517 40mm x 40mm
DWG 021392

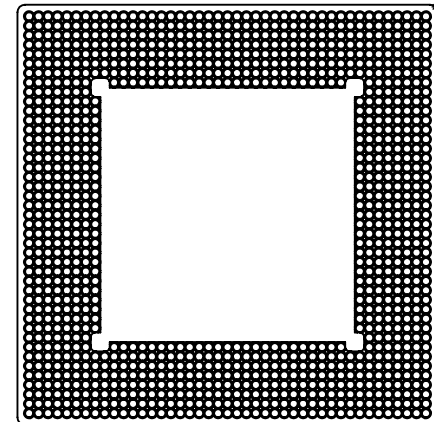
1 3 5 7 9 11 13 15 17 19 21 23 25 27 29 31 33 35 37 39 41
2 4 6 8 10 12 14 16 18 20 22 24 26 28 30 32 34 36 38 40



A
B
C
D
E
F
G
H
J
K
L
M
N
P
R
T
U
V
W
Y
AA
AB
AD
AE
AF
AG
AH
AJ
AL
AM
AN
AR
AU
AV
AW
BA

CCGA1657 42.5mm x 42.5mm
DWG 021412

1 3 5 7 9 11 13 15 17 19 21 23 25 27 29 31 33 35 37 39 41 43
2 4 6 8 10 12 14 16 18 20 22 24 26 28 30 32 34 36 38 40 42



A
B
C
D
E
F
G
H
J
K
L
M
N
P
R
T
U
V
W
Y
AA
AB
AD
AE
AF
AG
AH
AJ
AL
AM
AN
AR
AU
AV
AW
BA
BC

CCGA1849 45mm x 45mm
DWG 021432

TopLine®

TITLE CCGA TRAY STABILIZER
45mm x 45mm

SCALE	SIZE	DRAWING NO.	REV
1.25:1	A	021432	A

DO NOT SCALE DRAWING

SHEET 7 OF 7