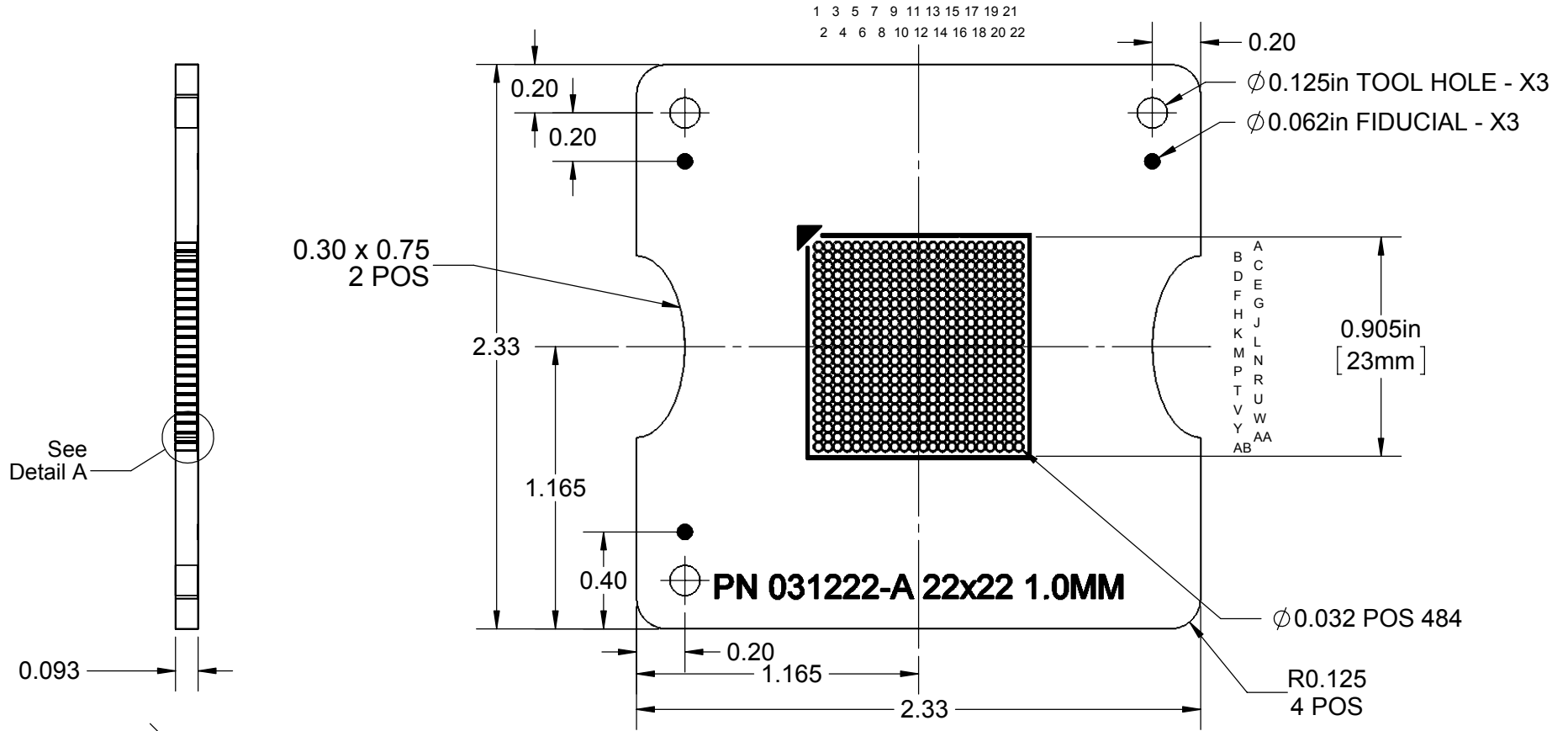


SIDE VIEW

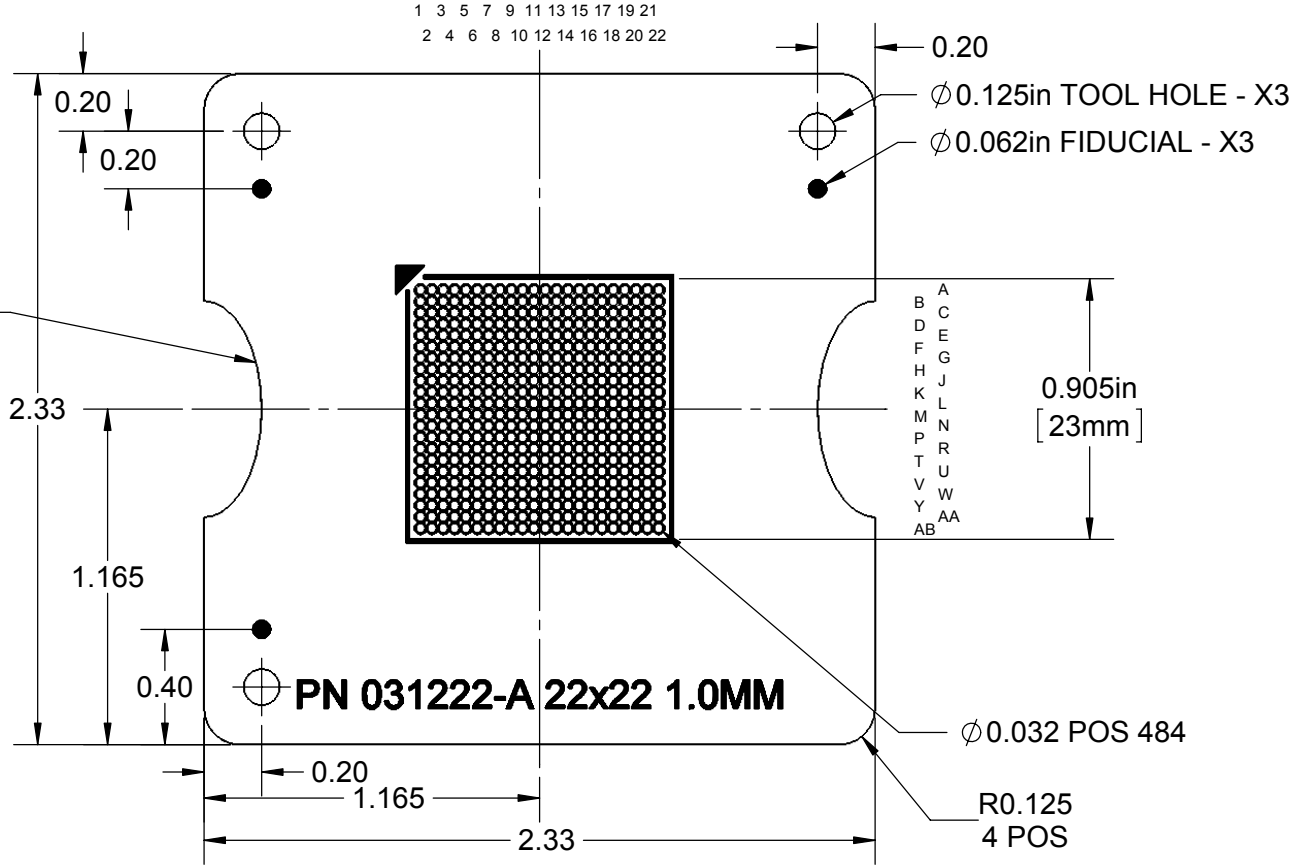
TOP VIEW



0.30 x 0.75
2 POS

See
Detail A

0.093

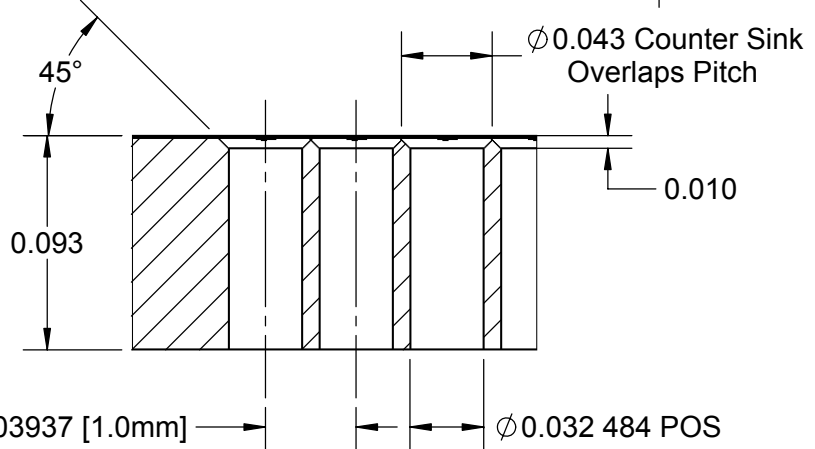


PN 031222-A 22x22 1.0MM

Ø0.032 POS 484

R0.125
4 POS

DETAIL A

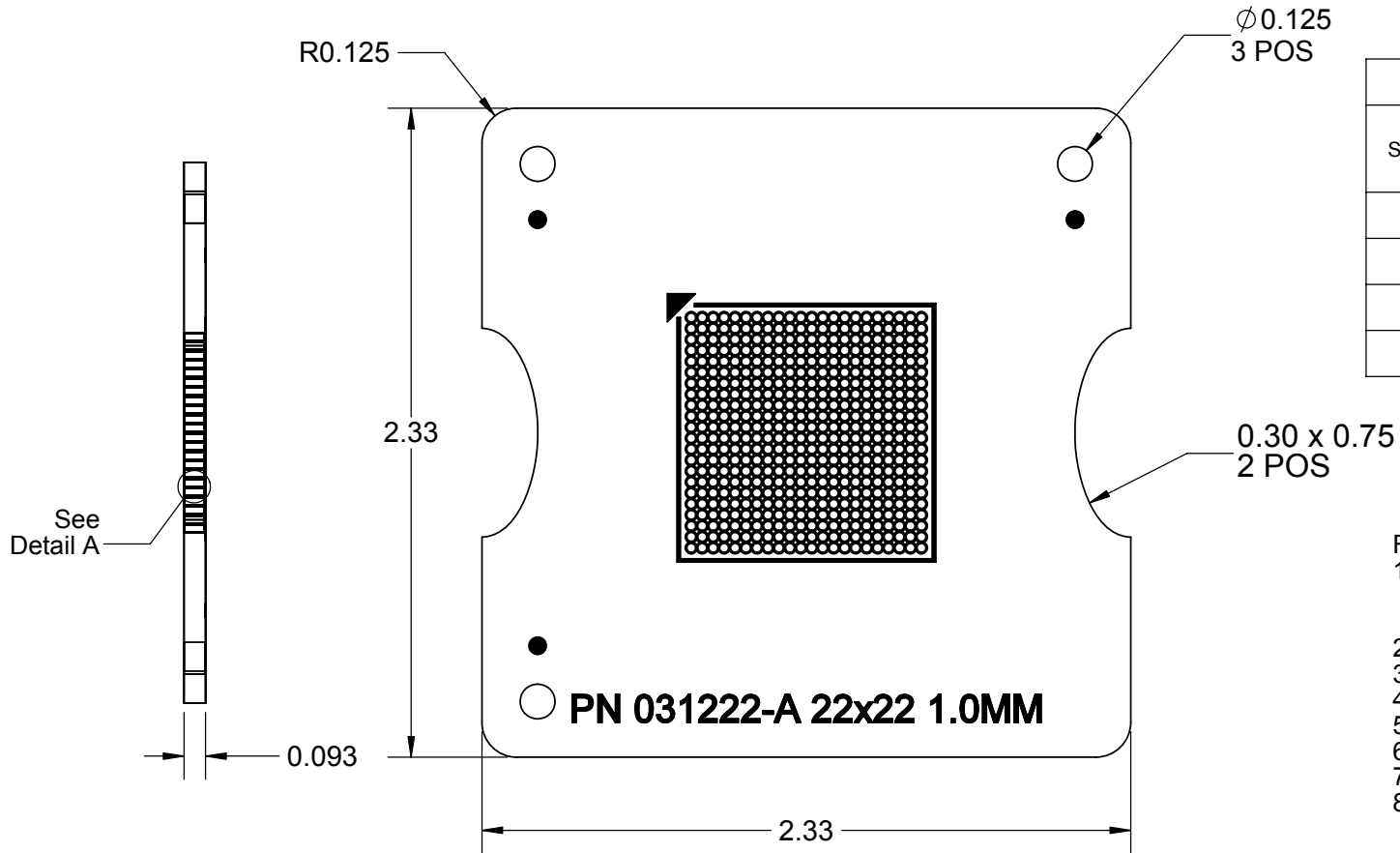


PITCH: 0.03937 [1.0mm] Ø0.032 484 POS

- NOTES:**
1. DIMENSIONS IN INCH UNLESS OTHERWISE STATED.
 2. MATERIAL: FR4 COLOR BLACK.
 3. LEGEND: WHITE INK.
 4. PIN REFERENCE DESIGNATORS NOT MARKED ON PCB

APPROVALS	DATE	TopLine®			
DRAWN T. Au	8/1/2015				
ENG M. Hart	8/1/2015	TITLE CCGA484 TRAY INSERT 2.33" SQ			
MFG		SCALE 3:2	SIZE A	DRAWING NO. 031222	REV A
QA					
CUST		DO NOT SCALE DRAWING			SHEET 1 OF 3
REVISED					

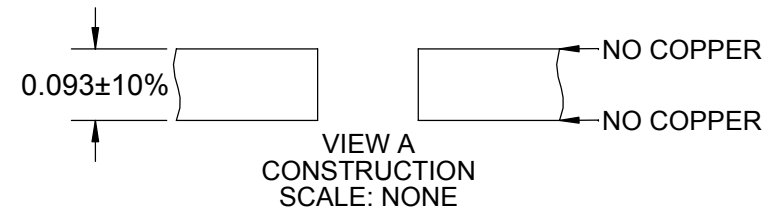
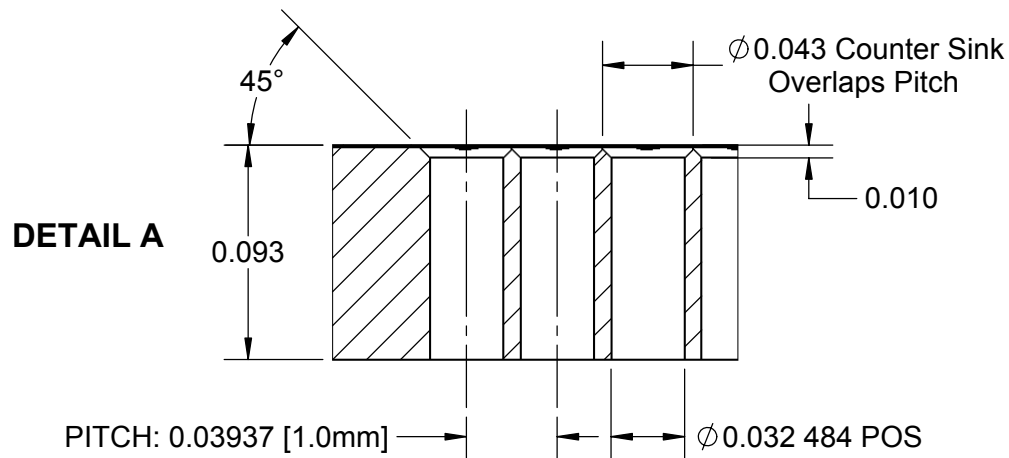
FAB DRILL AND PLATED THROUGH HOLES




HOLE CHART			
SYMBOL	DIAMETER UNPLATED THRU	COUNTER SINK	QTY PCB
+	0.032 ± 0.003	-	484
○	-	0.043 ± 0.003	484
○	$\phi 0.125$		3
TOTAL			971

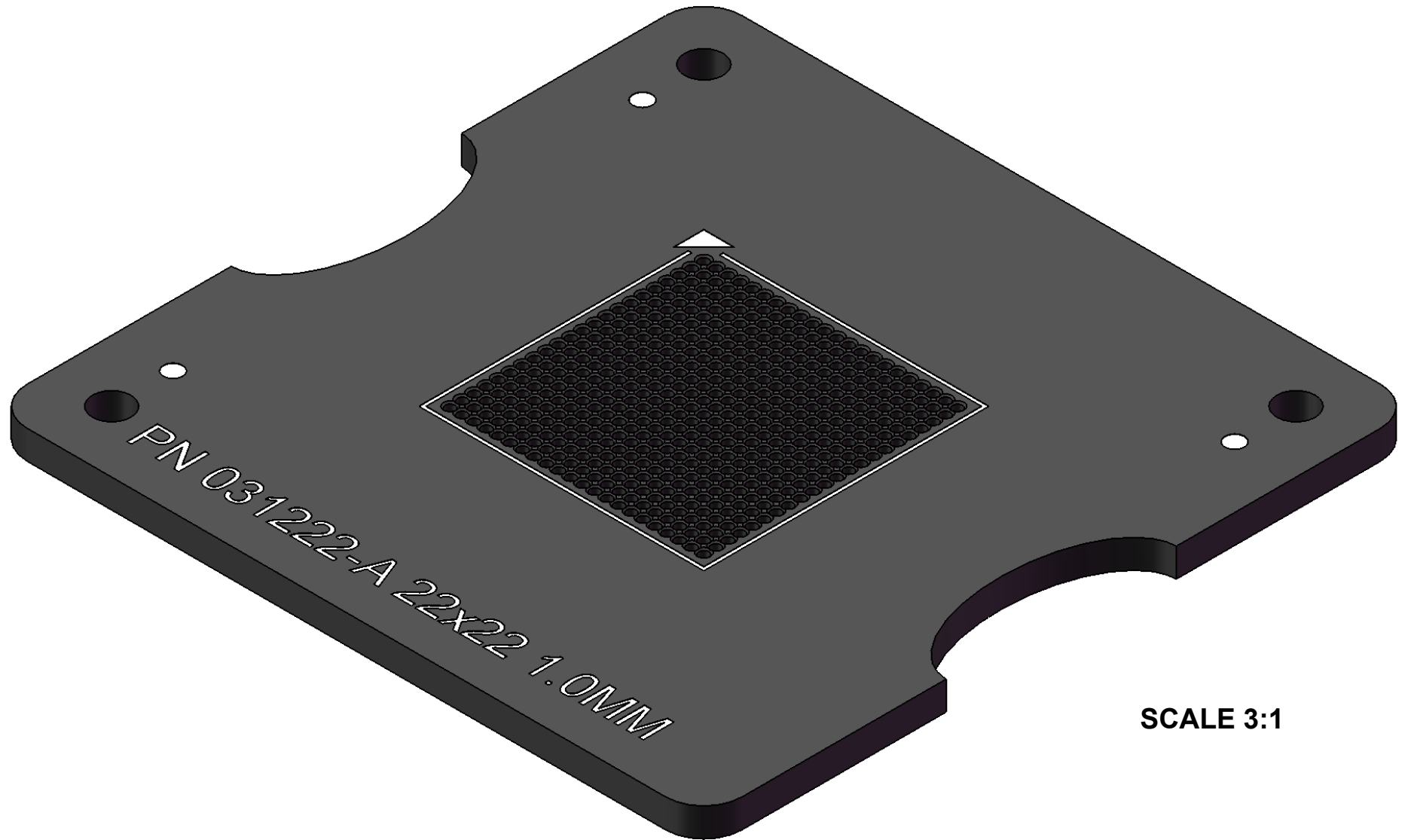
FAB NOTES:

- MATERIAL:
 A. NO COPPER (0/0).
 B. FR4 BLACK COLOR.
- REFER TO DETAIL A COUNTER SINK.
- REFER TO VIEW A FOR STACK UP.
- NO PTH HOLES.
- NO SOLDER MASK.
- NO PCB MFRG LOGO ALLOWED.
- SILKSCREEN WHITE INK.
- FULLY ROUTE EACH BOARD.



			
TITLE CCGA484 TRAY INSERT 2.33" SQ			
SCALE 1.25:1	SIZE A	DRAWING NO. 031222	REV A
DO NOT SCALE DRAWING		SHEET 2 OF 3	

MODEL



PN 031222-A 22X22 1.0MM

SCALE 3:1

TopLine[®]			
TITLE		CCGA484 TRAY INSERT 2.33" SQ	
SCALE	SIZE	DRAWING NO.	REV
3:1	A	031222	A
DO NOT SCALE DRAWING			SHEET 3 OF 3