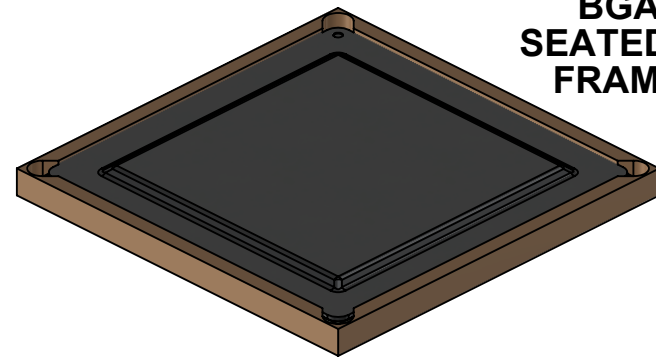
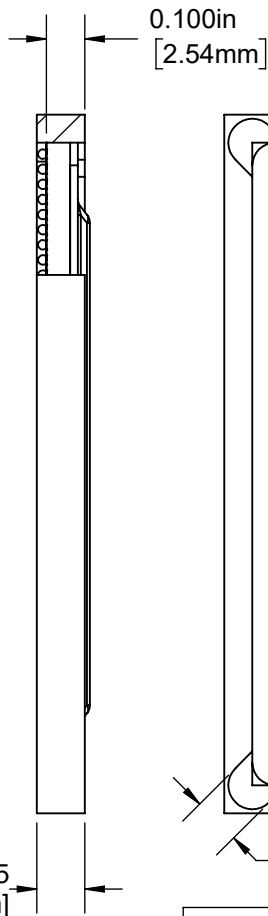


**BGA  
SEATED IN  
FRAME**

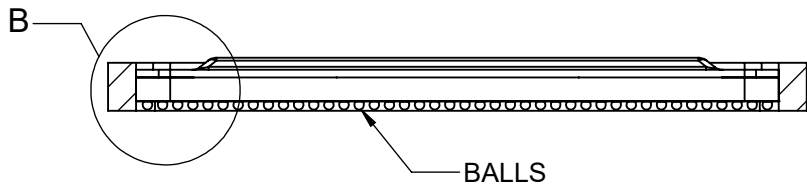


**TOP**

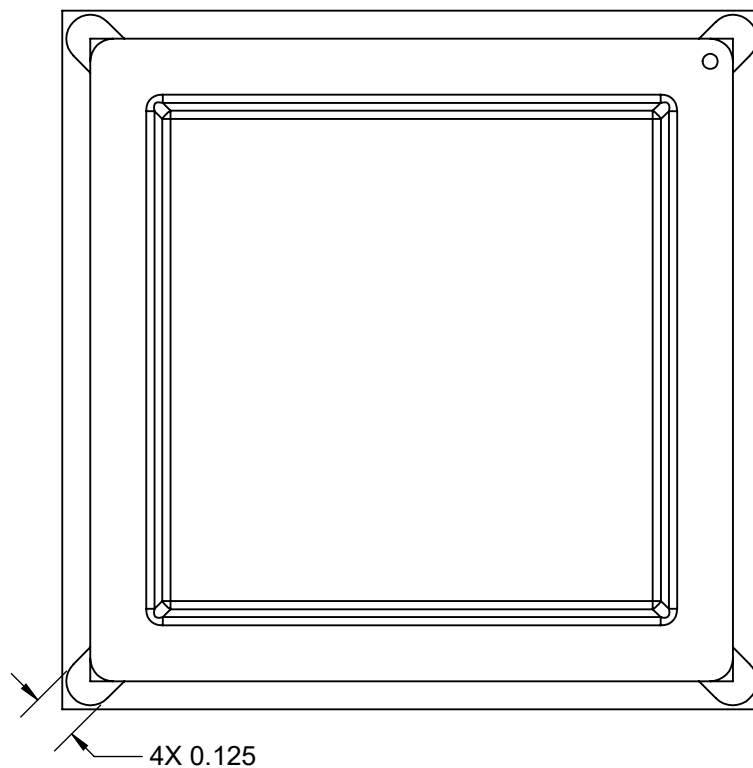
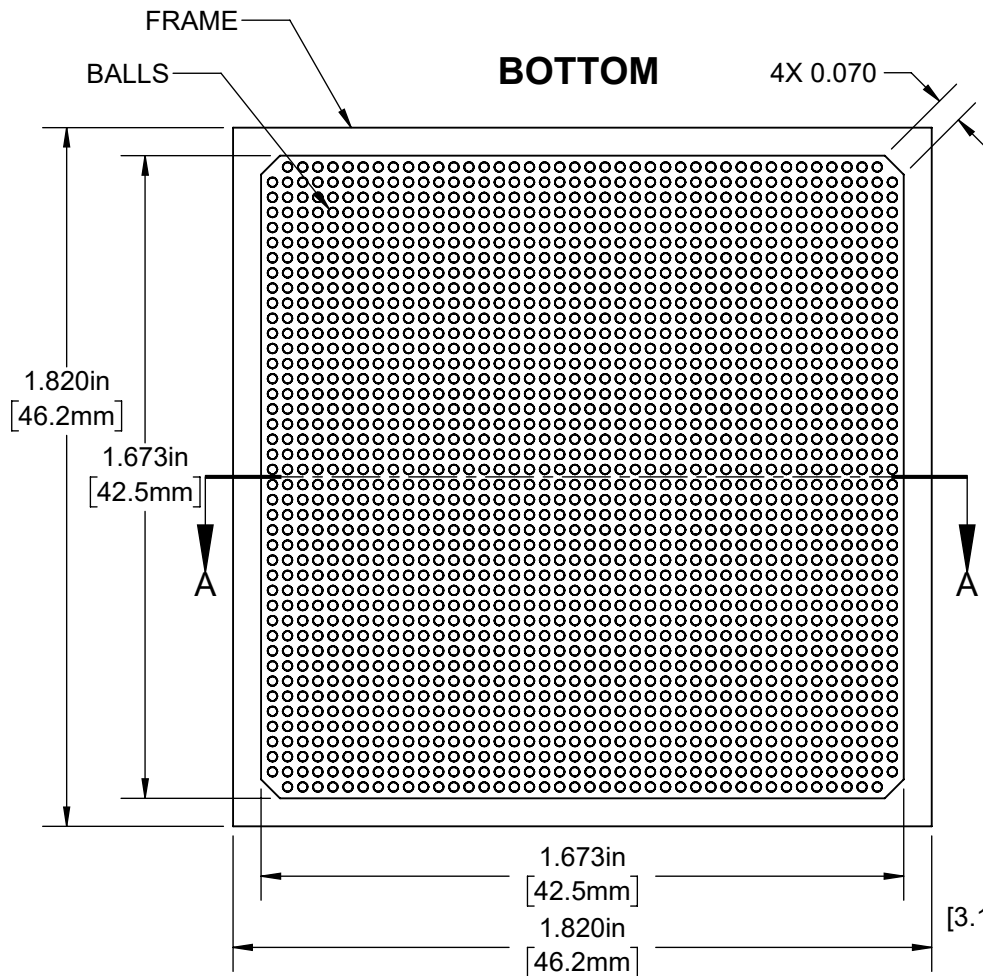
**SIDE**



**SECTION A-A**



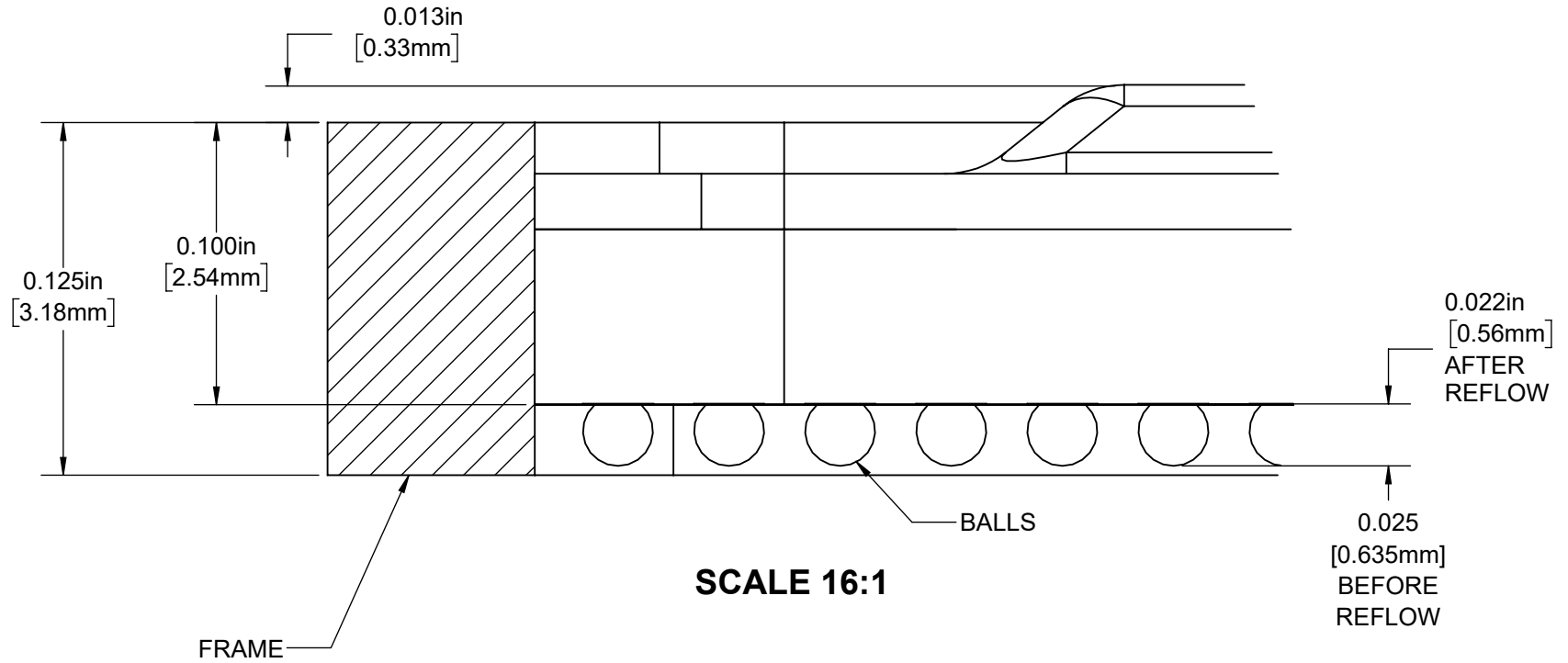
**BOTTOM**



- NOTES:**
1. DIMENSIONS INCH [mm].
  2. MATERIAL: FR4 or EQUIVALENT.

APPROVALS	DATE	<b>TopLine®</b>			
DRAWN T. Au	8/23/2020				
ENG M. Hart	8/23/2020	TITLE BGA 42.5 x 42.5mm FRAME ADAPTER FOR JEDEC TRAY			
MFG		SCALE	SIZE	DRAWING NO.	REV
QA		2:1	A	019420	A
CUST		DO NOT SCALE DRAWING			SHEET 1 OF 8
REVISED					

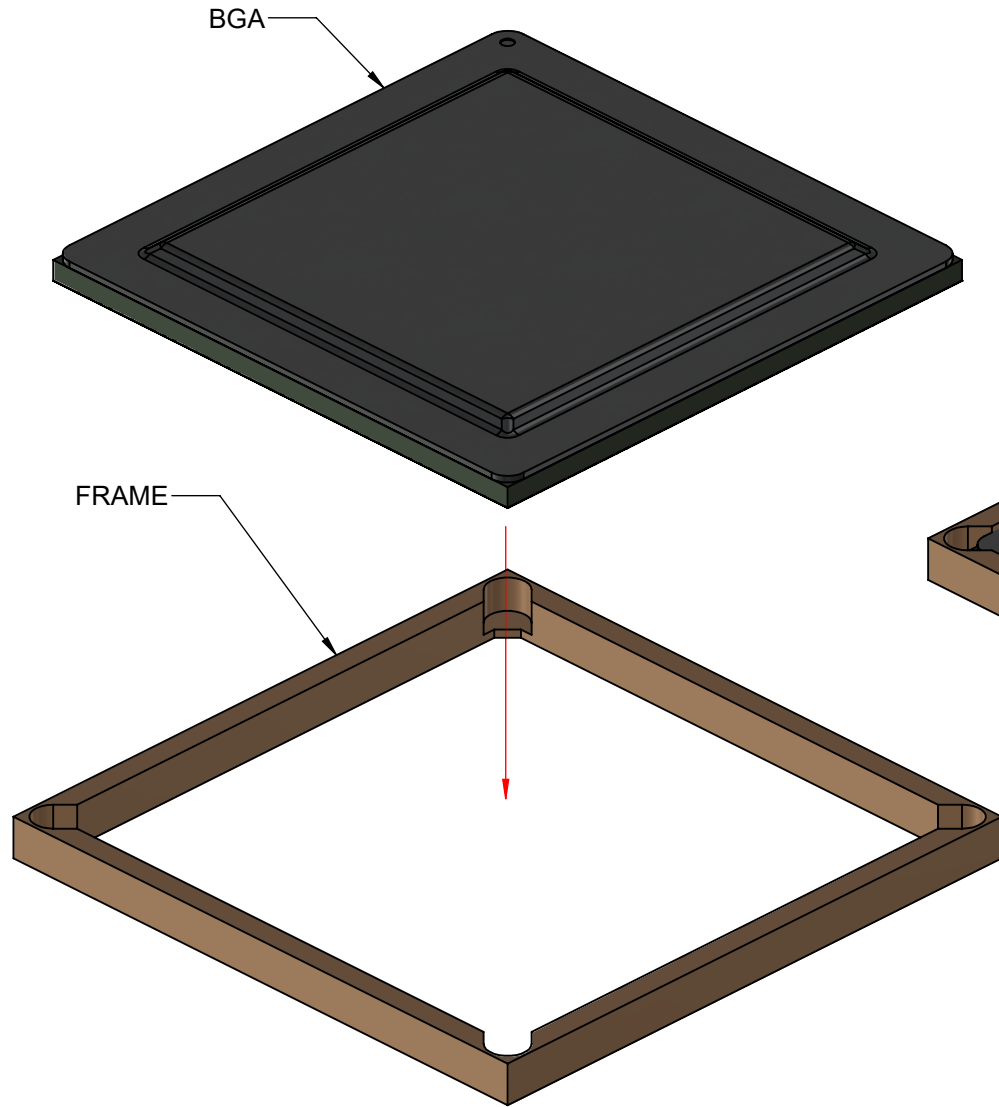
# DETAIL B



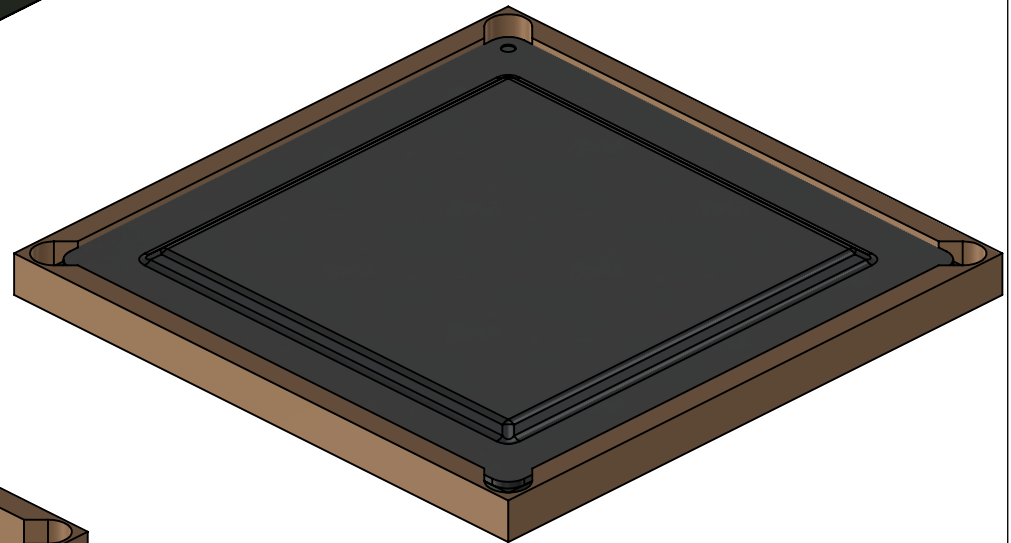
<b>TopLine®</b>			
TITLE BGA 42.5 x 42.5mm FRAME ADAPTER FOR JEDEC TRAY			
SCALE	SIZE	DRAWING NO.	REV
16:1	A	019420	A
DO NOT SCALE DRAWING			SHEET 2 OF 8

# MODELS

## EXPLODED VIEW



## SEATED IN FRAME



**TopLine®**

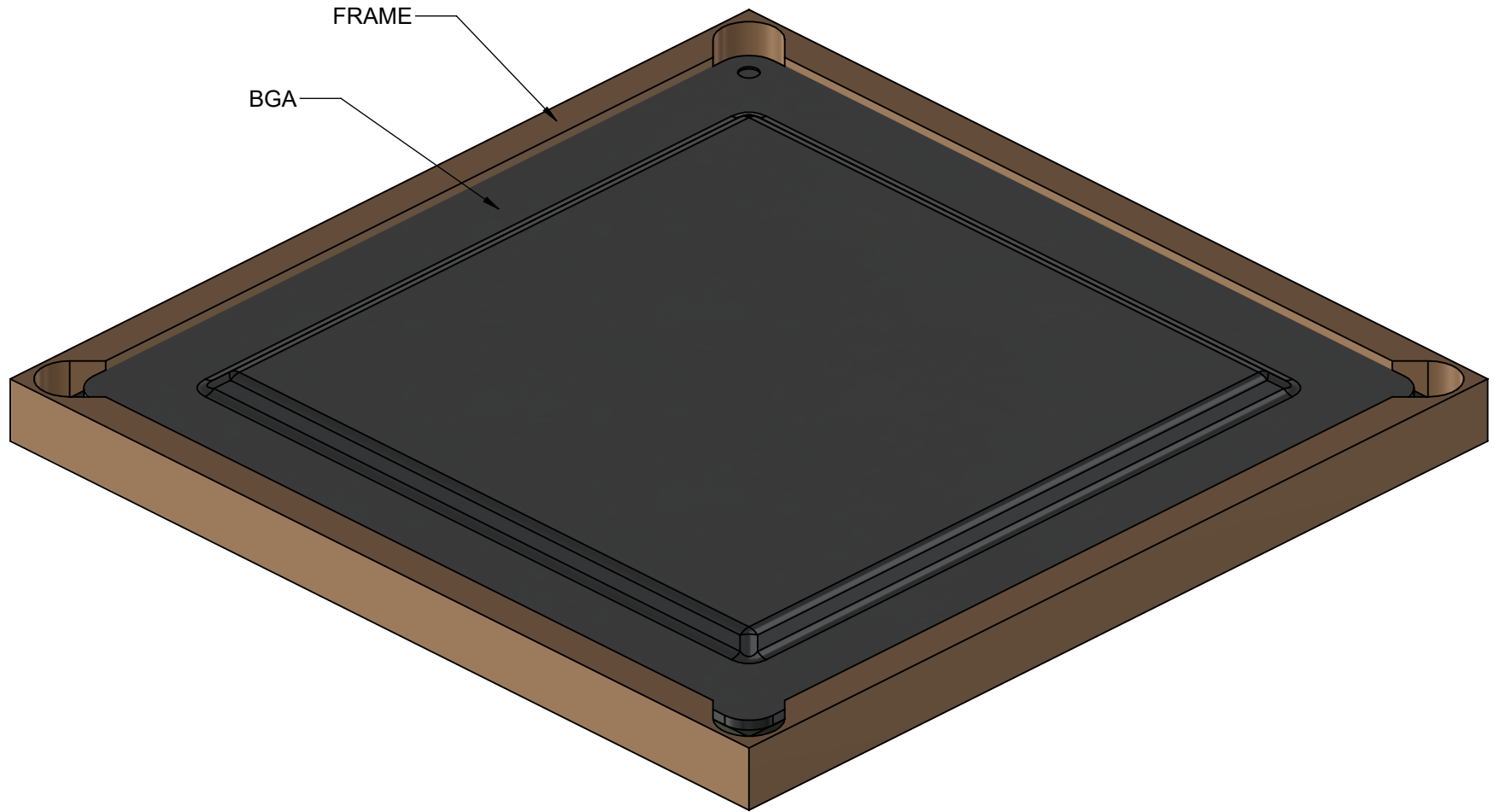
TITLE BGA 42.5 x 42.5mm  
FRAME ADAPTER FOR JEDEC TRAY

SCALE 2:1	SIZE A	DRAWING NO. 019420	REV A
--------------	-----------	-----------------------	----------

DO NOT SCALE DRAWING

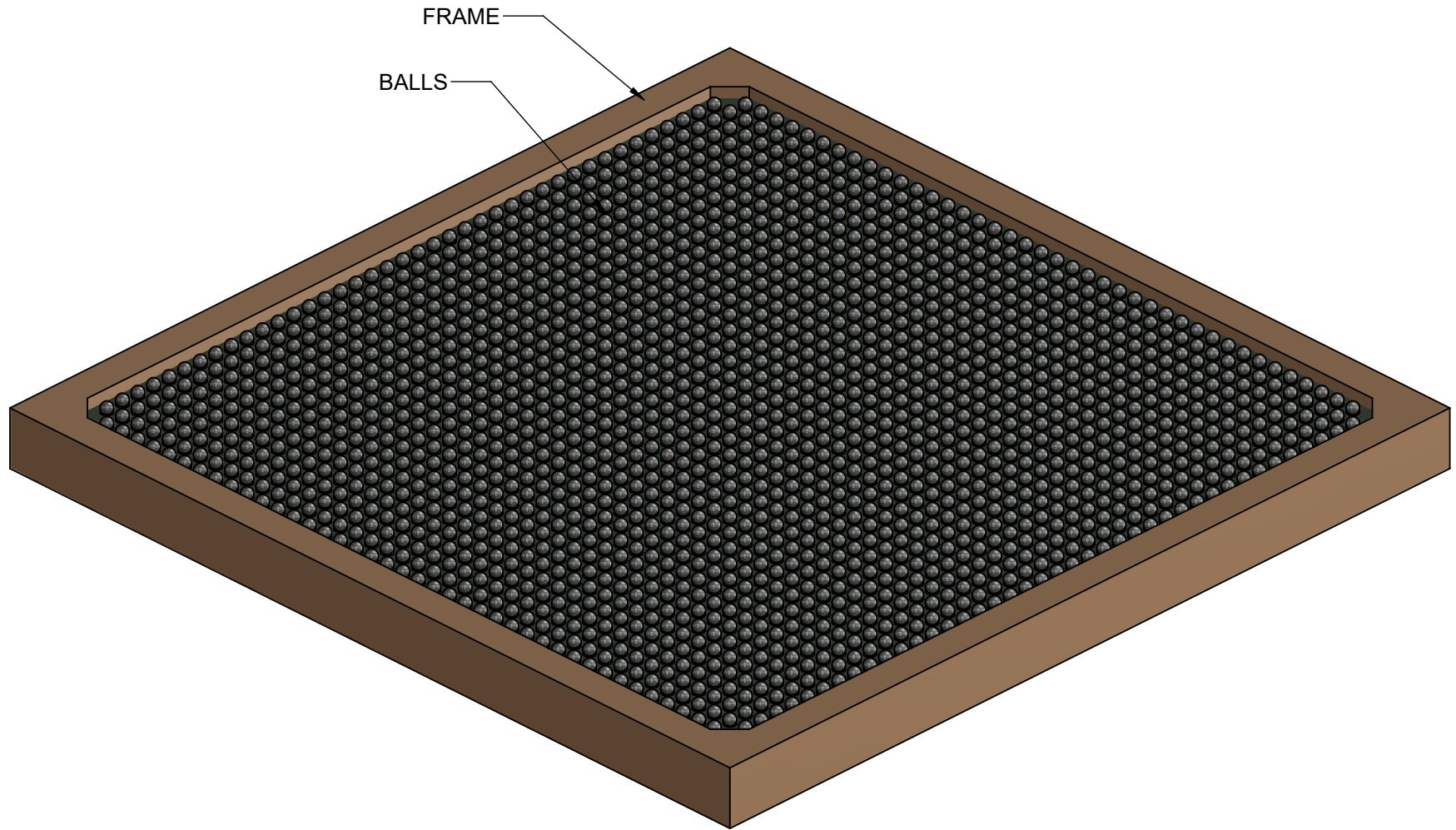
SHEET 3 OF 8

**MODELS  
BGA IN FRAME (TOP)**



<b>TopLine®</b>			
TITLE      BGA 42.5 x 42.5mm FRAME ADAPTER FOR JEDEC TRAY			
SCALE	SIZE	DRAWING NO.	REV
3.5:1	A	019420	A
DO NOT SCALE DRAWING			SHEET 4 OF 8

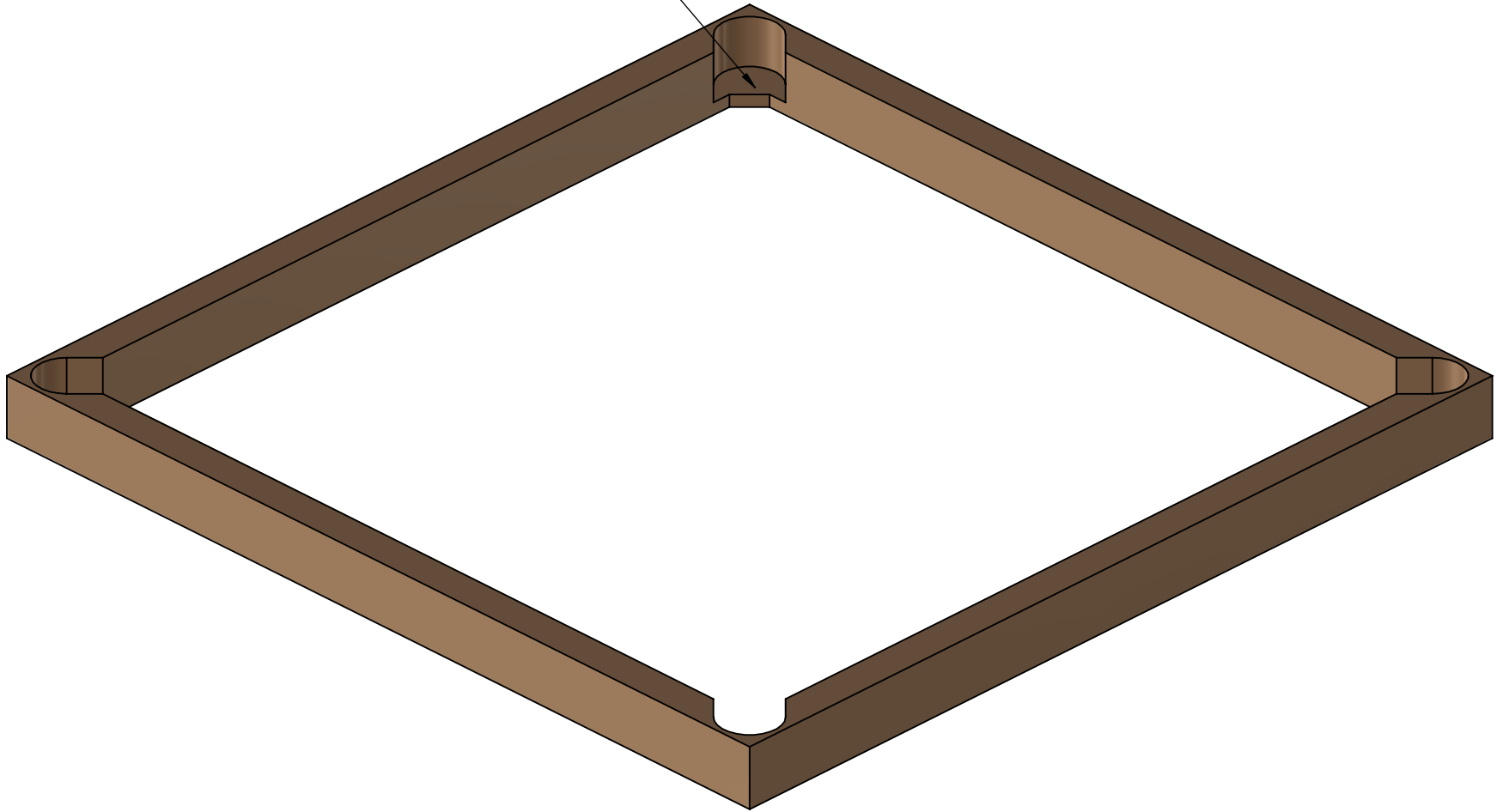
# MODELS BGA IN FRAME (BOTTOM)



<b>TopLine<sup>®</sup></b>			
TITLE    BGA 42.5 x 42.5mm FRAME ADAPTER FOR JEDEC TRAY			
SCALE	SIZE	DRAWING NO.	REV
3.5:1	A	019420	A
DO NOT SCALE DRAWING			SHEET 5 OF 8

# MODELS FRAME TOP

SHOULDER



**TopLine®**

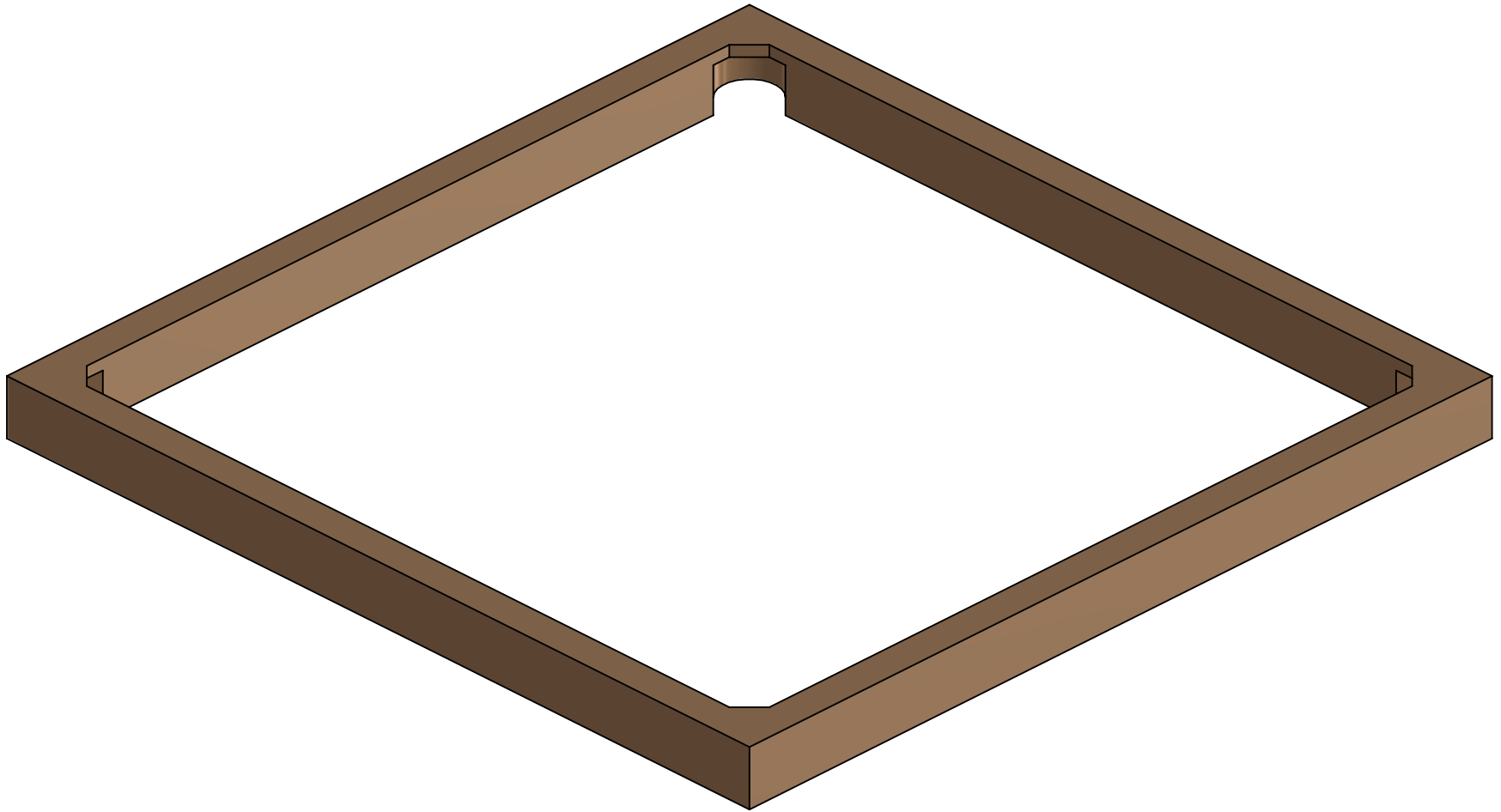
TITLE BGA 42.5 x 42.5mm  
FRAME ADAPTER FOR JEDEC TRAY

SCALE	SIZE	DRAWING NO.	REV
3.5:1	A	019420	A

DO NOT SCALE DRAWING

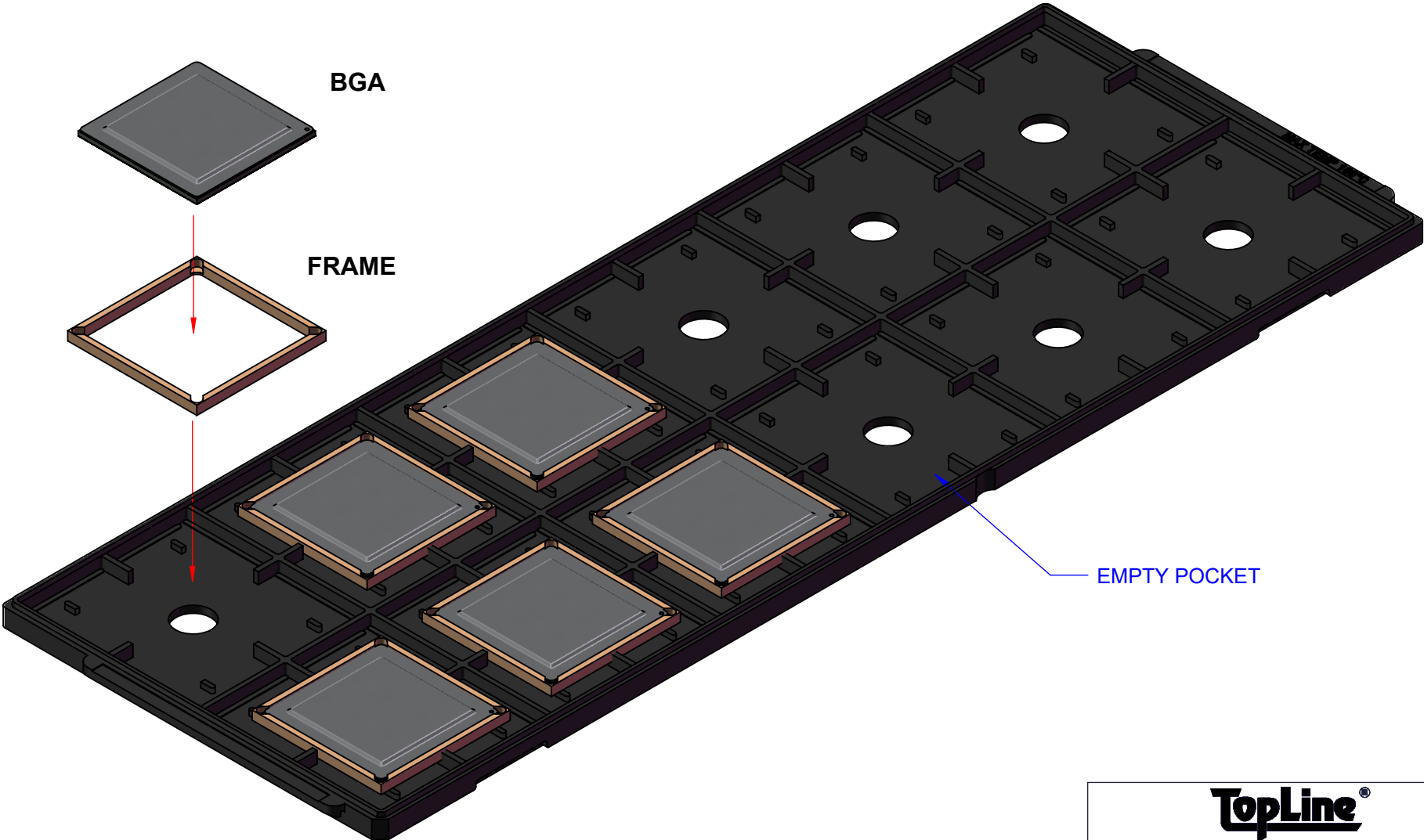
SHEET 6 OF 8

**MODELS  
FRAME BOTTOM**



<b>TopLine<sup>®</sup></b>			
TITLE      BGA 42.5 x 42.5mm FRAME ADAPTER FOR JEDEC TRAY			
SCALE	SIZE	DRAWING NO.	REV
3.5:1	A	019420	A
DO NOT SCALE DRAWING			SHEET 7 OF 8

**SBGA 42.5 x 42.5mm SEATED  
IN JEDEC TRAY 45x45mm  
POCKETS DWG 181638**



**BGA**

**FRAME**

**EMPTY POCKET**



TITLE BGA 42.5 x 42.5mm  
FRAME ADAPTER FOR JEDEC TRAY

SCALE 2:3	SIZE A	DRAWING NO. 019420	REV A
--------------	-----------	-----------------------	----------