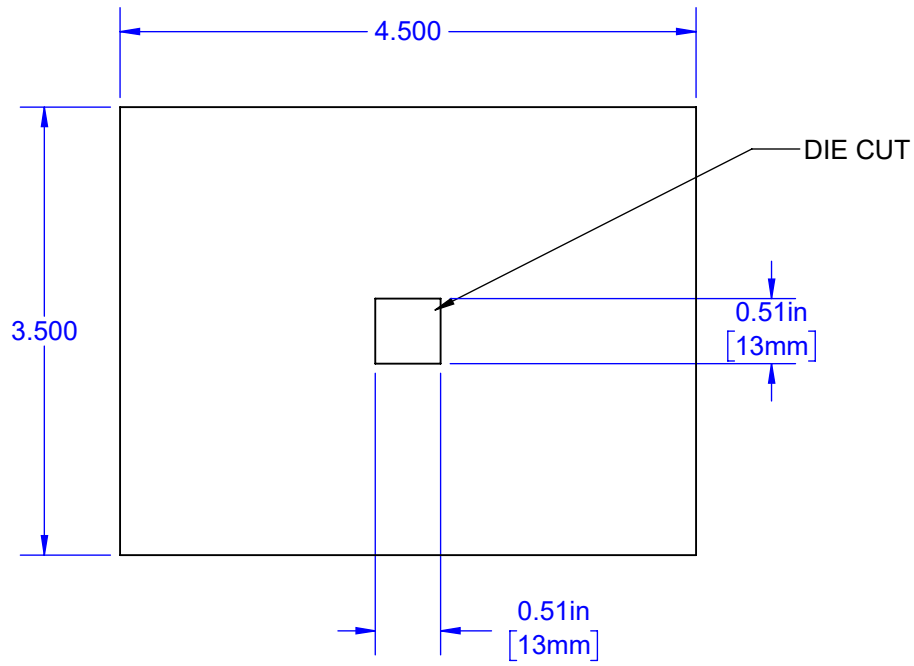
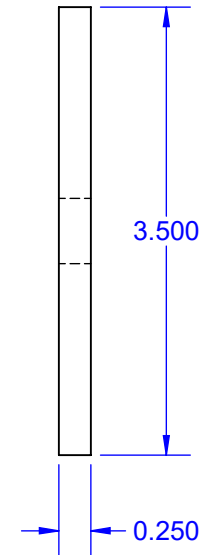


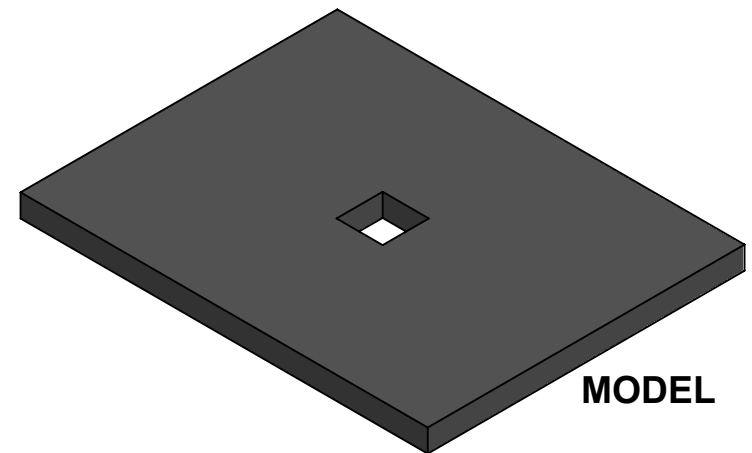
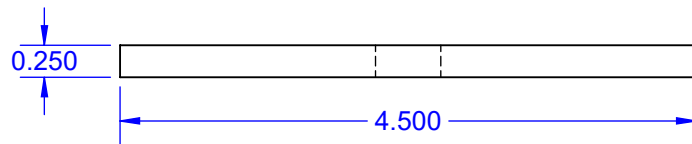
**TOP**



**EDGE**



**SIDE**



Notes: (Unless Otherwise Specified).

- 1) SURFACE RESISTIVITY:  $10^3 \Omega$  TO  $10^6 \Omega$  PER SQUARE.
- 2) DENSE CONDUCTIVE FOAM.
- 3) DENSITY 2.0 PFC Min.
- 4) DIMENSIONS INCH (mm).

**TopLine<sup>®</sup>**

TITLE EC1-FOAM INSERT 13mm  
HIGH DENSITY FOAM

SCALE 2:3	SIZE A	DRAWING NO. 090030	REV A
--------------	-----------	-----------------------	----------

DO NOT SCALE DRAWING

SHEET 1 OF 1