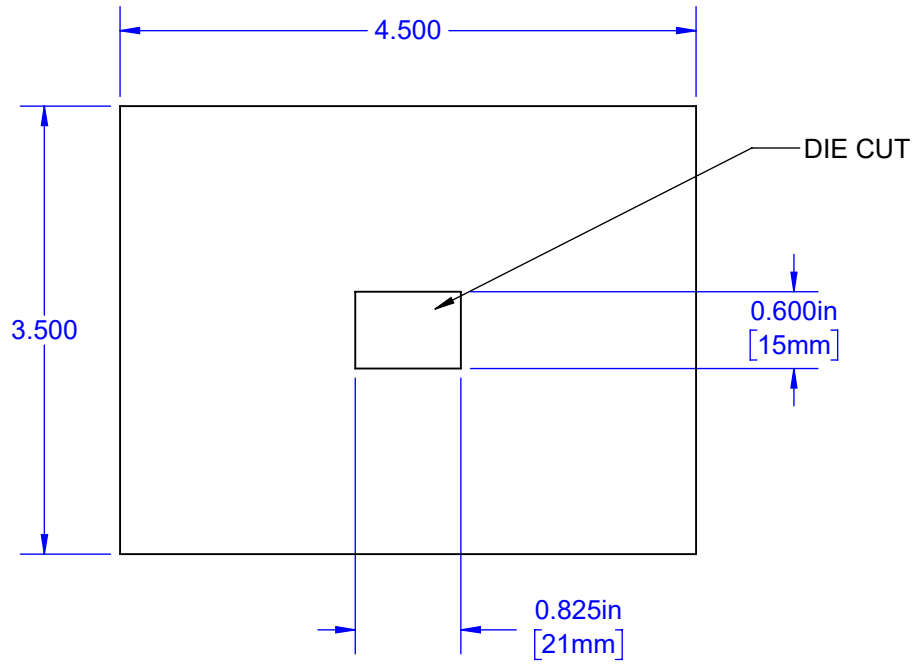
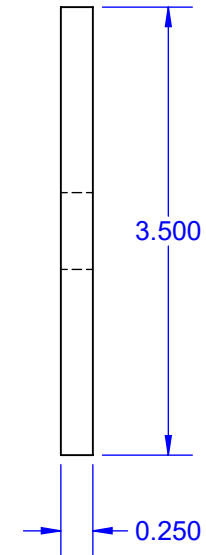


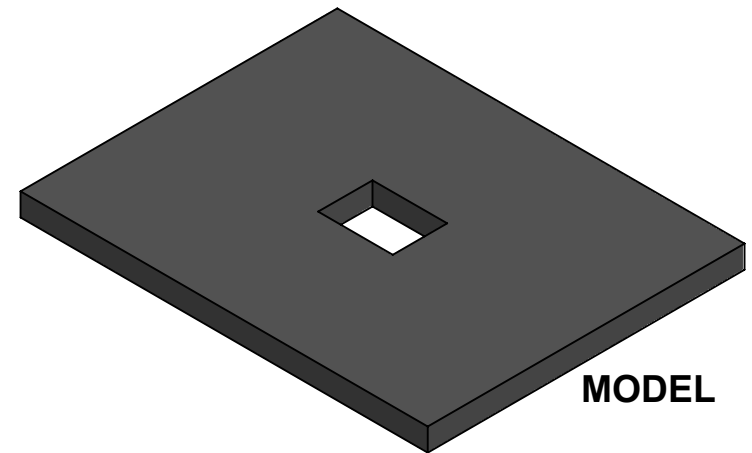
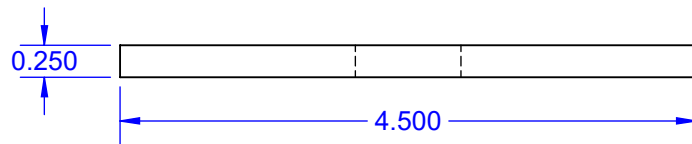
TOP



EDGE



SIDE



MODEL

Notes: (Unless Otherwise Specified).

- 1) SURFACE RESISTIVITY: $10^3 \Omega$ TO $10^6 \Omega$ PER SQUARE.
- 2) DENSE CONDUCTIVE FOAM.
- 3) DENSITY 2.0 PFC Min.
- 4) DIMENSIONS INCH (mm).

TopLine[®]

TITLE EC1-FOAM INSERT 15x21mm
HIGH DENSITY FOAM

SCALE	SIZE	DRAWING NO.	REV
2:3	A	090029	A

DO NOT SCALE DRAWING

SHEET 1 OF 1