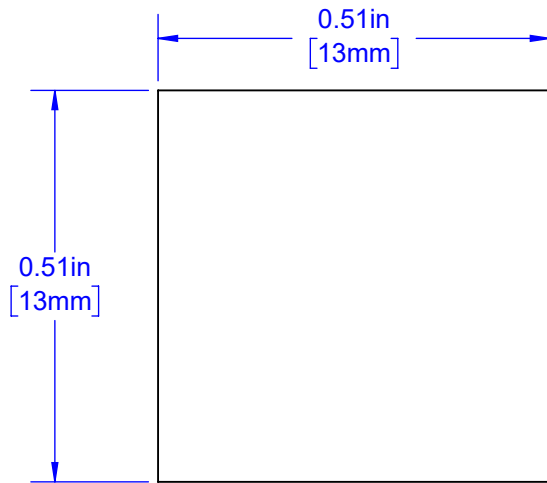
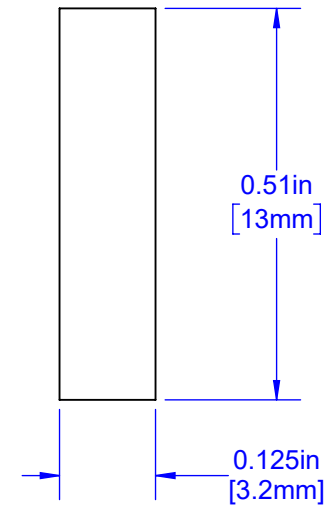


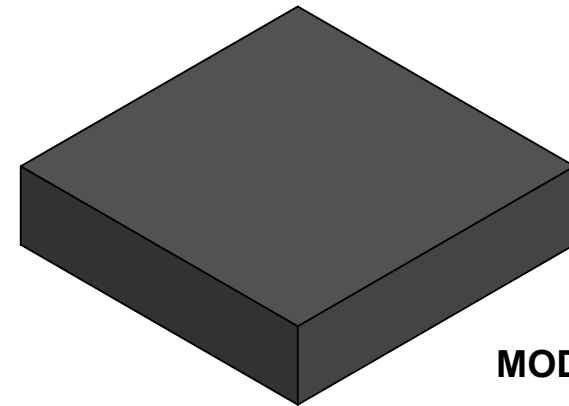
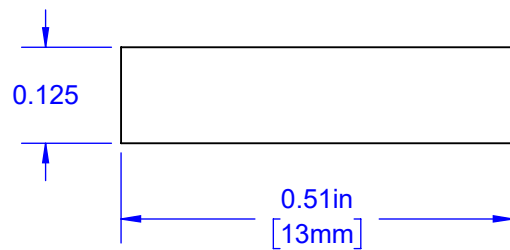
TOP



EDGE



SIDE



MODEL

Notes: (Unless Otherwise Specified).

- 1) SURFACE RESISTIVITY: $10^3 \Omega$ TO $10^6 \Omega$ PER SQUARE.
- 2) SOFT CONDUCTIVE FOAM.
- 3) DENSITY 1.7 PFC Min.
- 4) DIMENSIONS INCHES [mm].

APPROVALS	DATE	TopLine[®]			
DRAWN T. Au	7/17/2021				
ENG M. Hart	7/17/2021	TITLE FOAM-SOFT-.51-A (13mm) LOW DENSITY FOAM			
MFG		SCALE	SIZE	DRAWING NO.	REV
QA		4:1	A	090130	A
CUST		DO NOT SCALE DRAWING			SHEET 1 OF 1
REVISED					