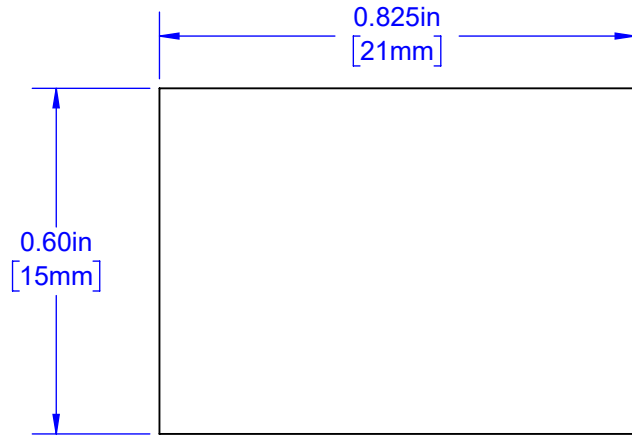
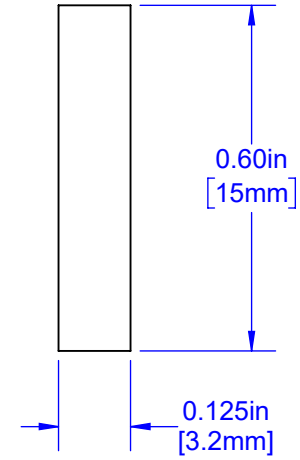


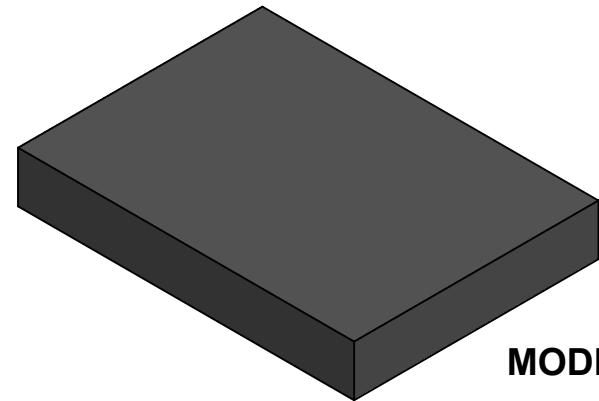
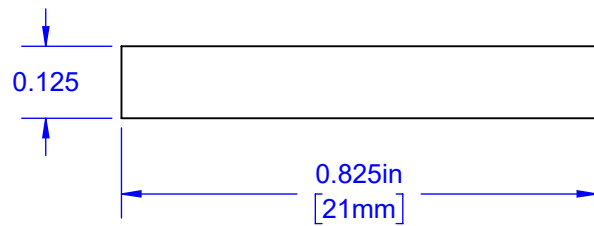
TOP



EDGE



SIDE



MODEL

Notes: (Unless Otherwise Specified).

- 1) SURFACE RESISTIVITY: $10^3 \Omega$ TO $10^6 \Omega$ PER SQUARE.
- 2) SOFT CONDUCTIVE FOAM.
- 3) DENSITY 1.7 PFC Min.
- 4) DIMENSIONS INCHES [mm].

APPROVALS	DATE	TopLine[®]			
DRAWN T. Au	7/17/2021				
ENG M. Hart	7/17/2021	TITLE FOAM-SOFT-.60x.825-A LOW DENSITY FOAM			
MFG		SCALE 3:1	SIZE A	DRAWING NO.	REV
QA				090129	A
CUST		DO NOT SCALE DRAWING		SHEET 1 OF 1	
REVISED					