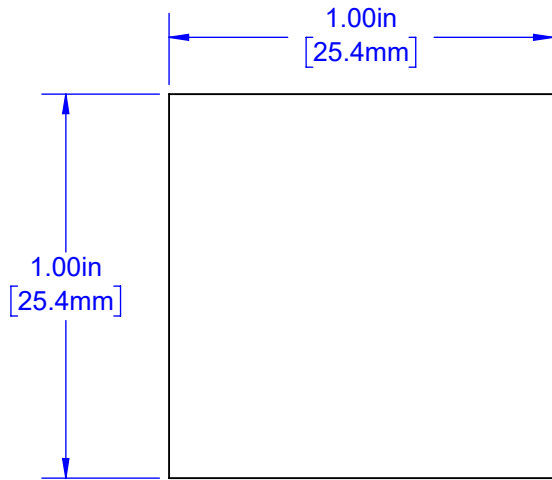
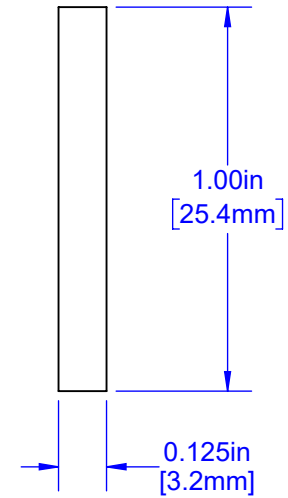


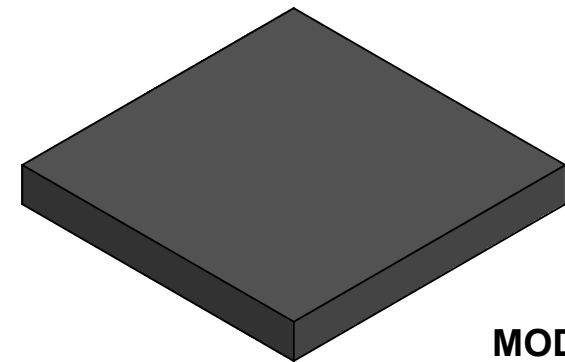
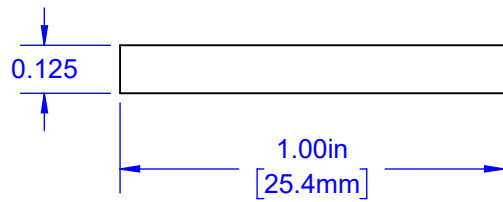
**TOP**



**EDGE**



**SIDE**



**MODEL**

Notes: (Unless Otherwise Specified).

- 1) SURFACE RESISTIVITY:  $10^3 \Omega$  TO  $10^6 \Omega$  PER SQUARE.
- 2) SOFT CONDUCTIVE FOAM.
- 3) DENSITY 1.7 PFC Min.
- 4) DIMENSIONS INCHES [mm].

APPROVALS	DATE	<b>TopLine<sup>®</sup></b>			
DRAWN T. Au	7/17/2021				
ENG M. Hart	7/17/2021	TITLE FOAM-SOFT-1.0-A LOW DENSITY FOAM			
MFG					
QA		SCALE	SIZE	DRAWING NO.	REV
CUST		2:1	A	090133	A
REVISED		DO NOT SCALE DRAWING			SHEET 1 OF 1