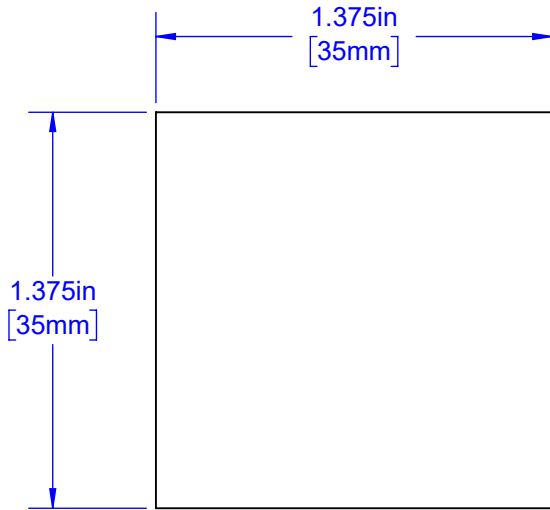
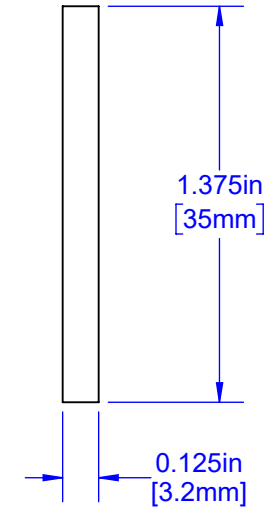


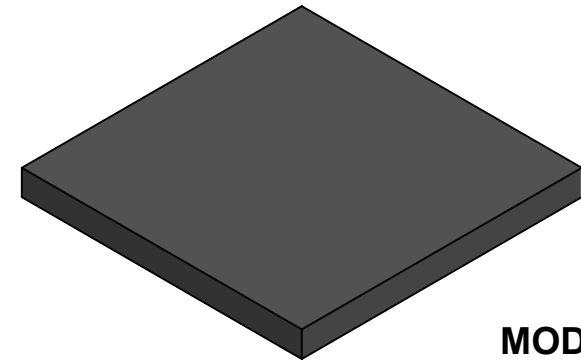
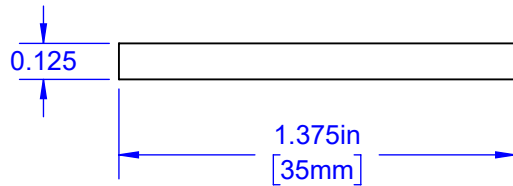
**TOP**



**EDGE**



**SIDE**



**MODEL**

Notes: (Unless Otherwise Specified).

- 1) SURFACE RESISTIVITY:  $10^3 \Omega$  TO  $10^6 \Omega$  PER SQUARE.
- 2) SOFT CONDUCTIVE FOAM.
- 3) DENSITY 1.7 PFC Min.
- 4) DIMENSIONS INCHES [mm].

APPROVALS		DATE	<b>TopLine®</b>			
DRAWN	T.Au	7/17/2021				
ENG	M. Hart	7/17/2021	TITLE FOAM-SOFT-1.375-A LOW DENSITY FOAM			
MFG			SCALE 3:2	SIZE A	DRAWING NO. 090135	REV A
QA						
CUST			DO NOT SCALE DRAWING		SHEET 1 OF 1	
REVISED						