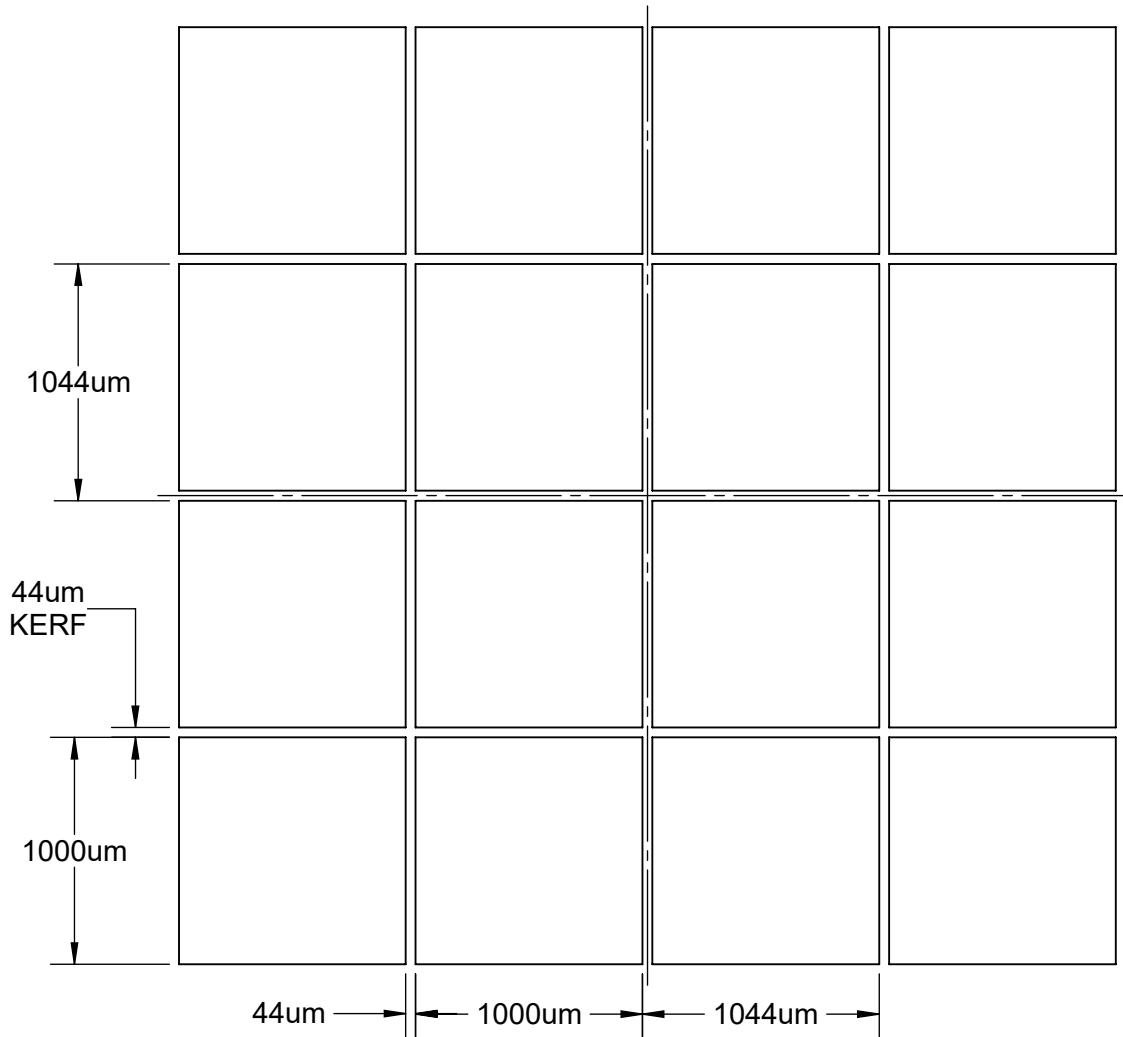


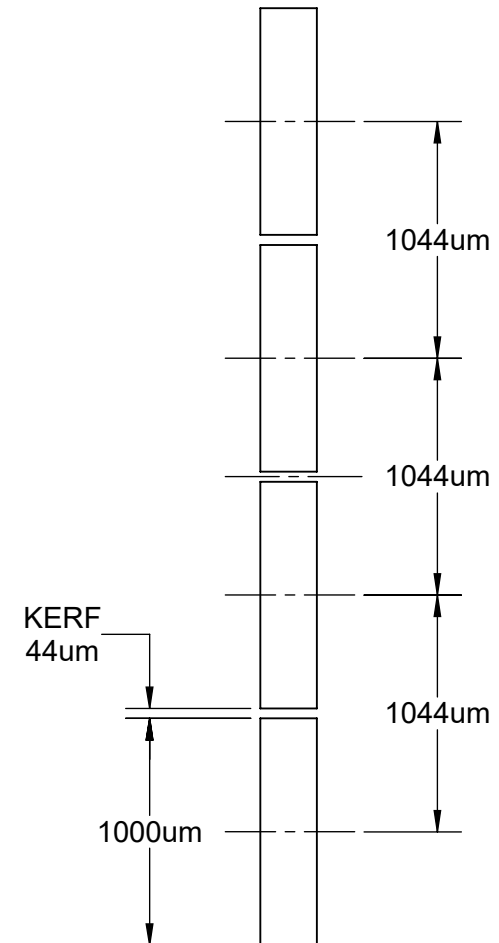
- Notes: (Unless Otherwise Specified).
- 1) DIMENSIONS MM [INCHES] OR μm .
 - 2) MATERIAL: SILICON WAFER (SINGLE SIDE POLISHED).
 - 3) REFERENCE FF-108 (DISCO DTF-2-8-1).
 - 4) TAPE ADHESIVE: LOW TACK

APPROVALS	DATE	TopLine®			
DRAWN T.Au	7/31/2018				
ENG M. Hart	7/31/2018	TITLE WMD8-1x1-BG250-NTR DUMMY DIE 1.0mm x 1.0mm			
MFG		SCALE	SIZE	DRAWING NO.	REV
QA		4.5:10	A	141000	A
CUST		DO NOT SCALE DRAWING			SHEET 1 OF 7
REVISED					

DETAIL A (TOP VIEW)



DETAIL B (SIDE VIEW)



- Notes: (Unless Otherwise Specified)
- 1) DIMENSIONS UM [MIL]
 - 2) MATERIAL: SILICON SINGLE SIDE POLISHED
 - 3) BACK SIDE CHIPOUTS 50um MAX

TopLine®

TITLE WMD8-1x1-BG250-NTR
DUMMY DIE 1.0mm x 1.0mm

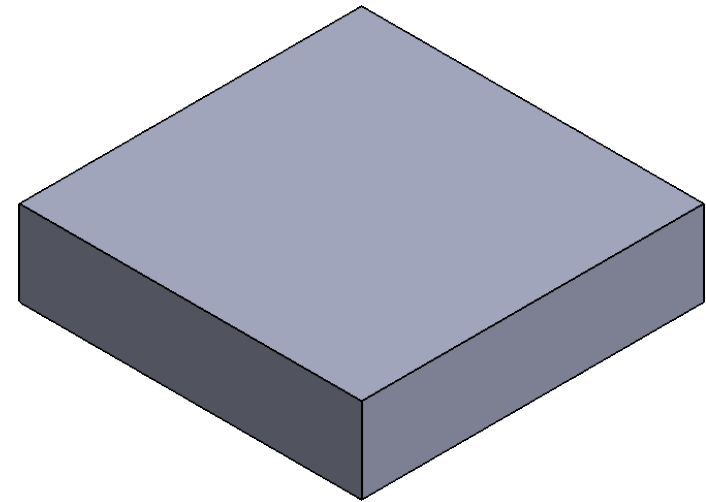
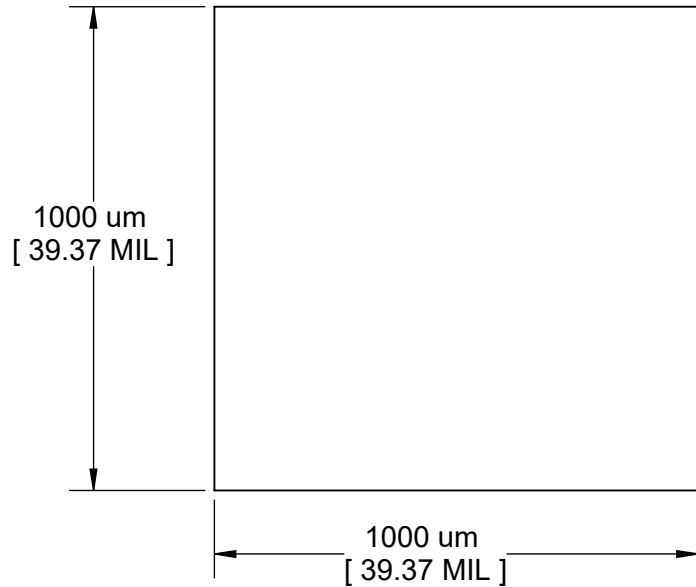
SCALE NONE	SIZE A	DRAWING NO. 141000	REV A
---------------	-----------	-----------------------	----------

DO NOT SCALE DRAWING

SHEET 2 OF 7

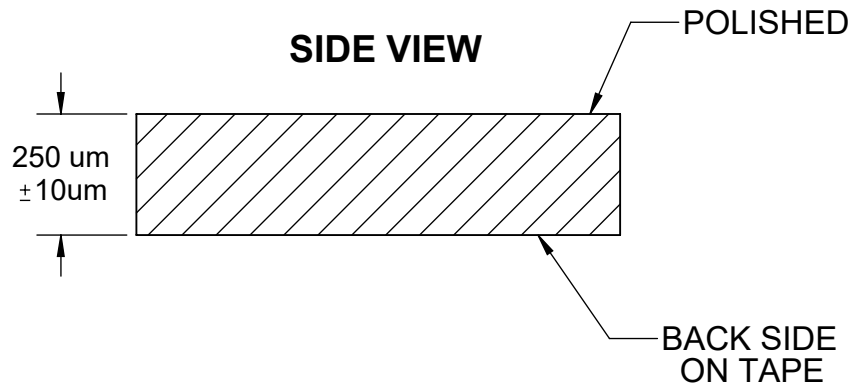
**DETAIL C
SINGLE DIE**

TOP VIEW



MODEL

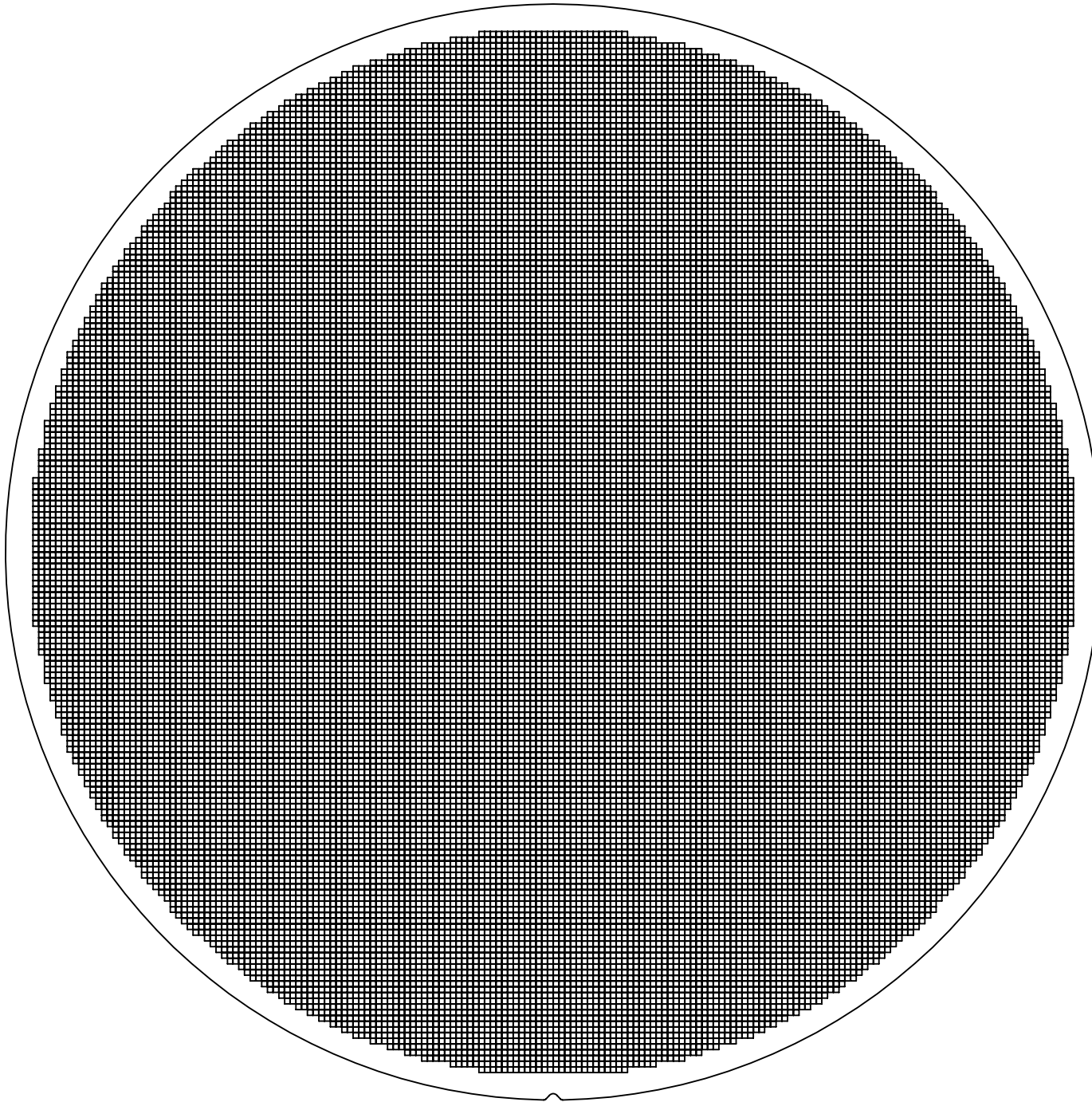
SIDE VIEW



Notes: (Unless Otherwise Specified)

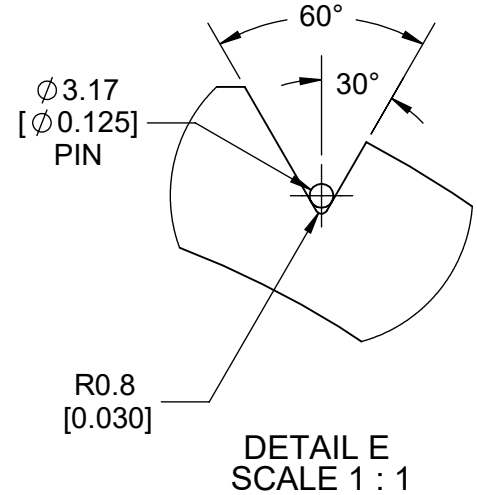
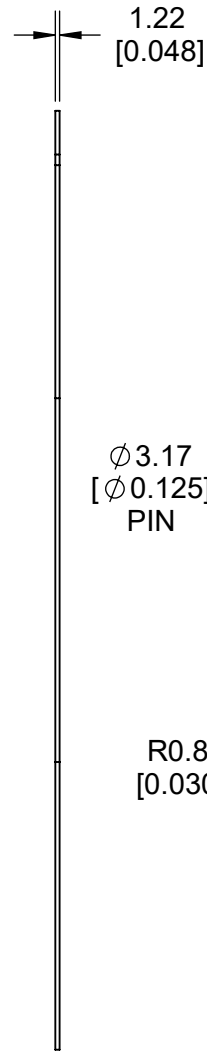
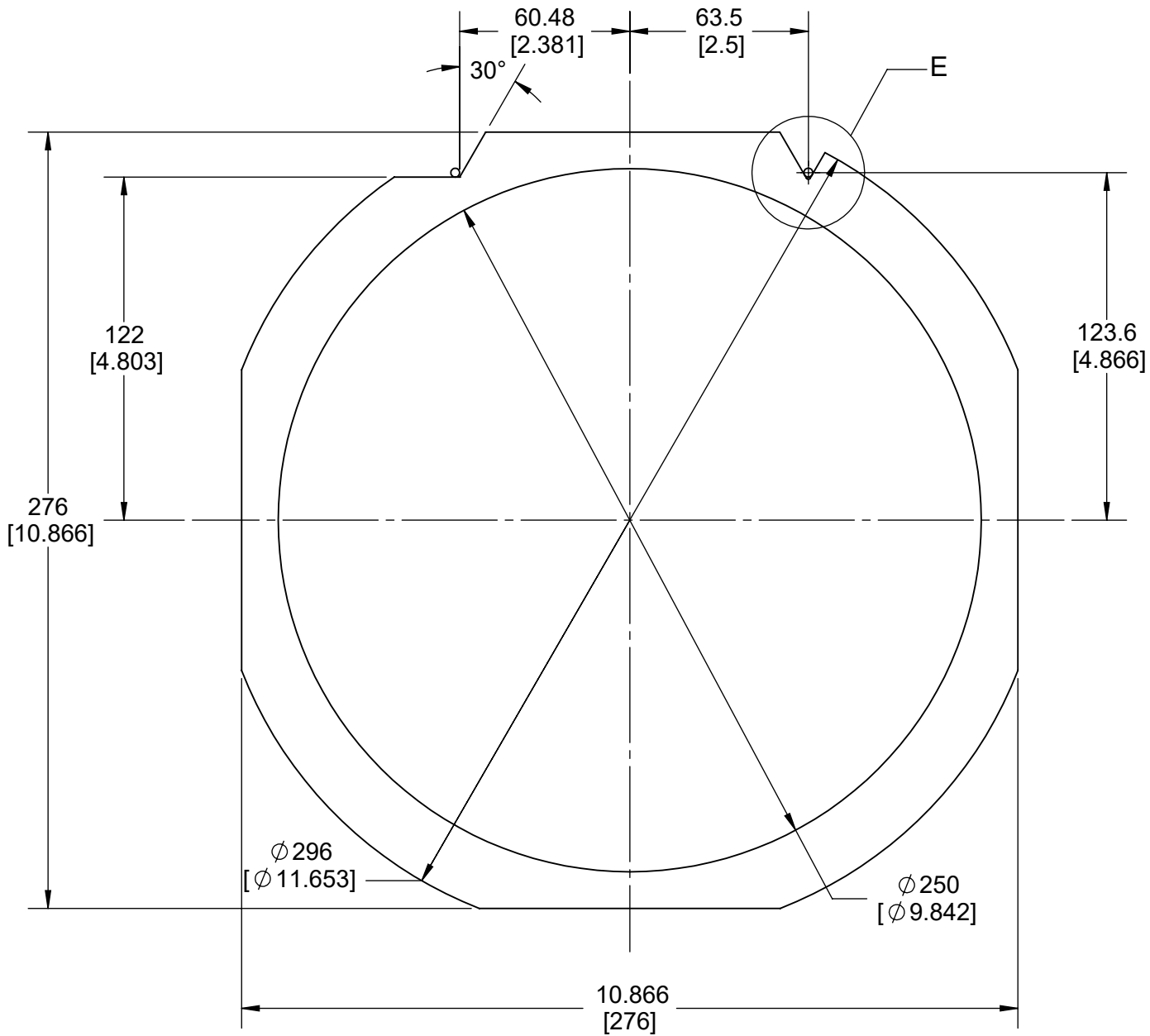
- 1) DIMENSIONS UM [MIL]
- 2) MATERIAL: SILICON SINGLE SIDE POLISHED
- 3) BACK SIDE CHIPOUTS 50um MAX

TopLine®			
TITLE WMD8-1x1-BG250-NTR DUMMY DIE 1.0mm x 1.0mm			
SCALE NONE	SIZE A	DRAWING NO. 141000	REV A
DO NOT SCALE DRAWING			SHEET 3 OF 7



DICING TABLE	
KERF	44um
X - CUTS CENTER TO CENTER	1044um
Y - CUTS CENTER TO CENTER	1044um
DIE SIZE X	1000um
DIE SIZE Y	1000um
Nbr DIE	26,188
WAFER	Ø 200mm

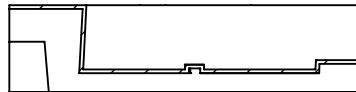
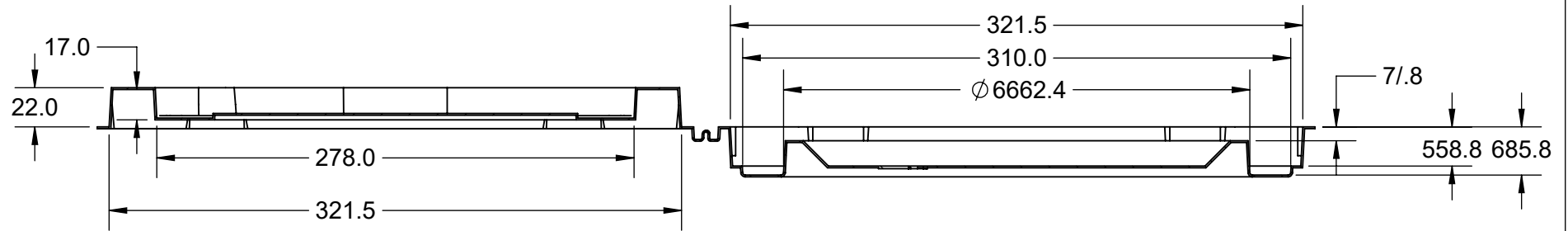
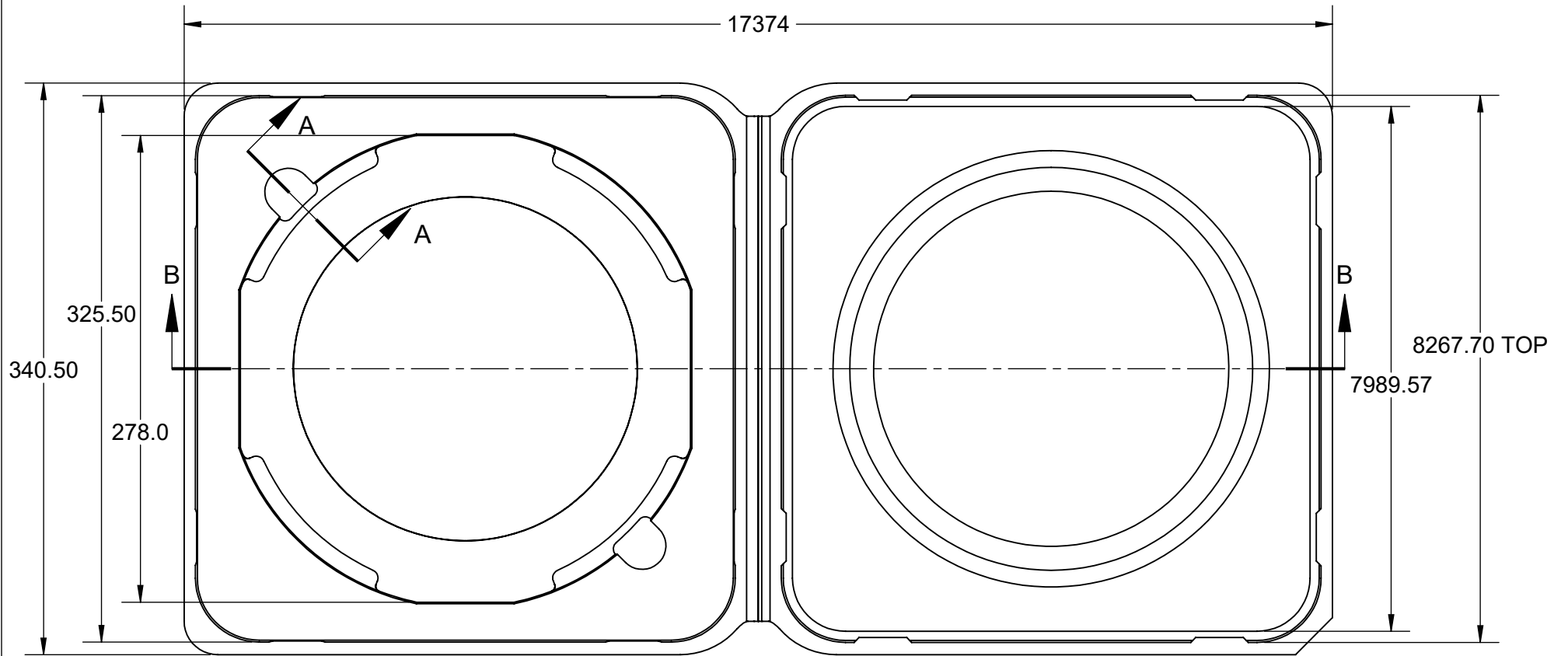
TopLine®			
TITLE WMD8-1x1-BG250-NTR DUMMY DIE 1.0mm x 1.0mm			
SCALE	SIZE	DRAWING NO.	REV
1:1.1	A	141000	A
DO NOT SCALE DRAWING			SHEET 4 OF 7



Notes: (Unless Otherwise Specified).

- 1) DIMENSIONS MM [INCHES].
- 2) MATERIAL: STAINLESS STEEL.
- 3) REFERENCE FF-108 (DISCO DTF-2-8-1).

TopLine®			
TITLE WAFER FRAME FF-108 8-INCH 200MM (DISCO DTF-2-8-1)			
SCALE 4.5:10	SIZE A	DRAWING NO. 190808	REV A
DO NOT SCALE DRAWING		SHEET 5 OF 7	



SECTION A-A ROTATED 45°

Notes: (Unless Otherwise Specified)

- 1) DIMENSIONS mm [INCH].
- 2) MATERIAL:
eM-20 BLACK CONDUCTIVE PS (1.2mm THICK)
- 3) CLAM SHELL SHIPPER. FOR METAL RING.

TopLine®

TITLE eFS8-200 CLAM SHELL
WAFER FRAME SHIPPER

SCALE	SIZE	DRAWING NO.	REV
NONE	A	190377	B

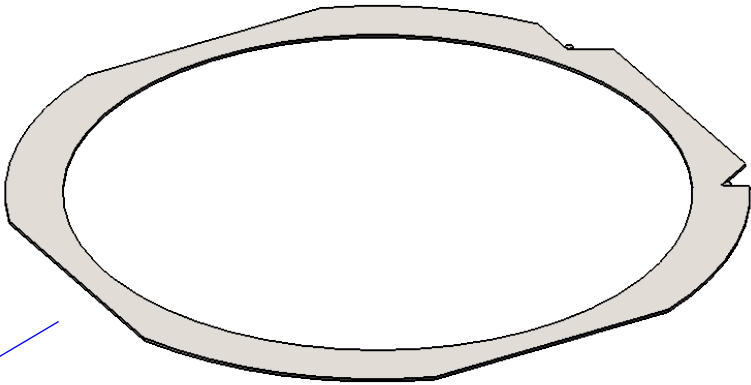
DO NOT SCALE DRAWING

SHEET 6 OF 7

MODEL



**CLAM SHELL - BLACK COLOR
SHIPPER FOR SINGLE WAFER RING**



**METAL 8-inch
WAFER RING**

TopLine®			
TITLE eFS8-200 CLAM SHELL WAFER FRAME SHIPPER			
SCALE 1:3	SIZE A	DRAWING NO. 190377	REV B
DO NOT SCALE DRAWING			SHEET 7 OF 7