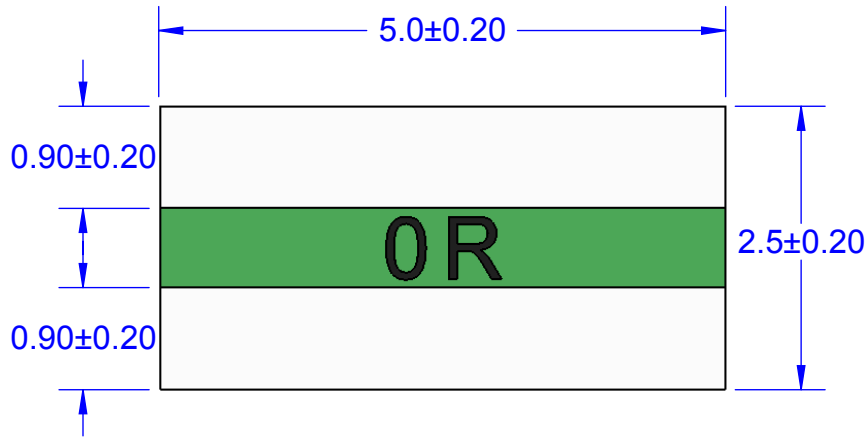
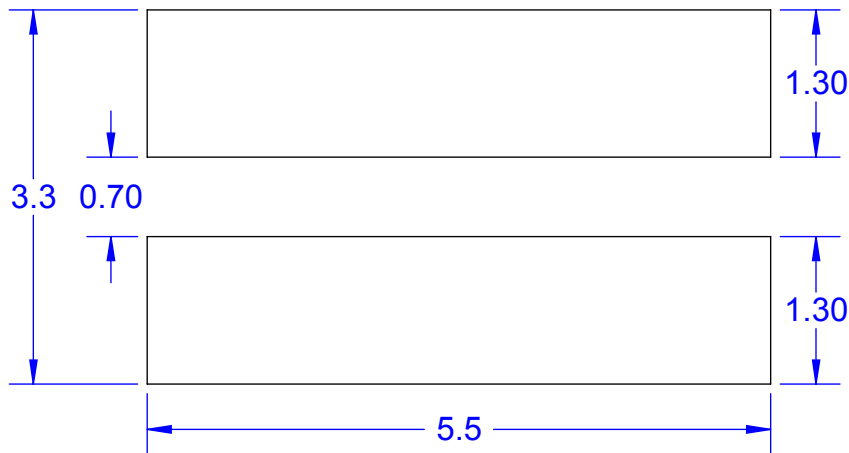


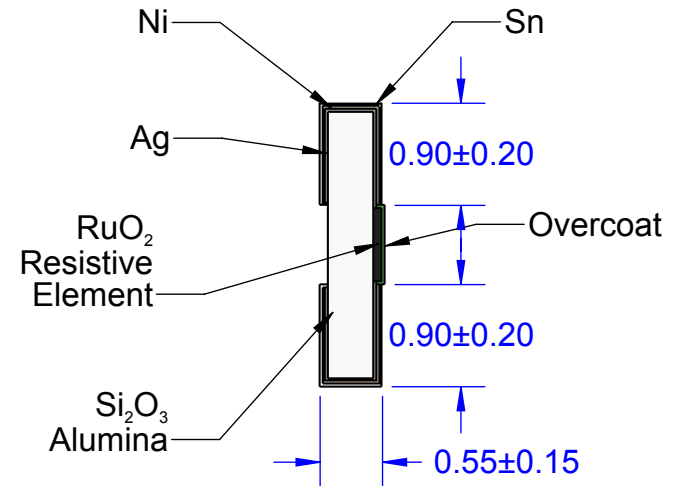
TOP VIEW



RECOMMENDED PCB PATTERN

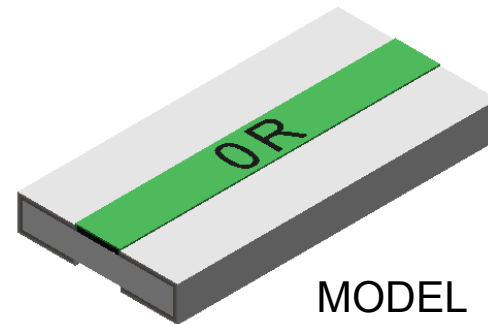


PCB DIMENSIONS ARE PRESENTED ONLY AS A GUIDELINE. DESIGNERS SHOULD USE THEIR OWN KNOWLEDGE BASE WHEN DESIGNING THE PCB.



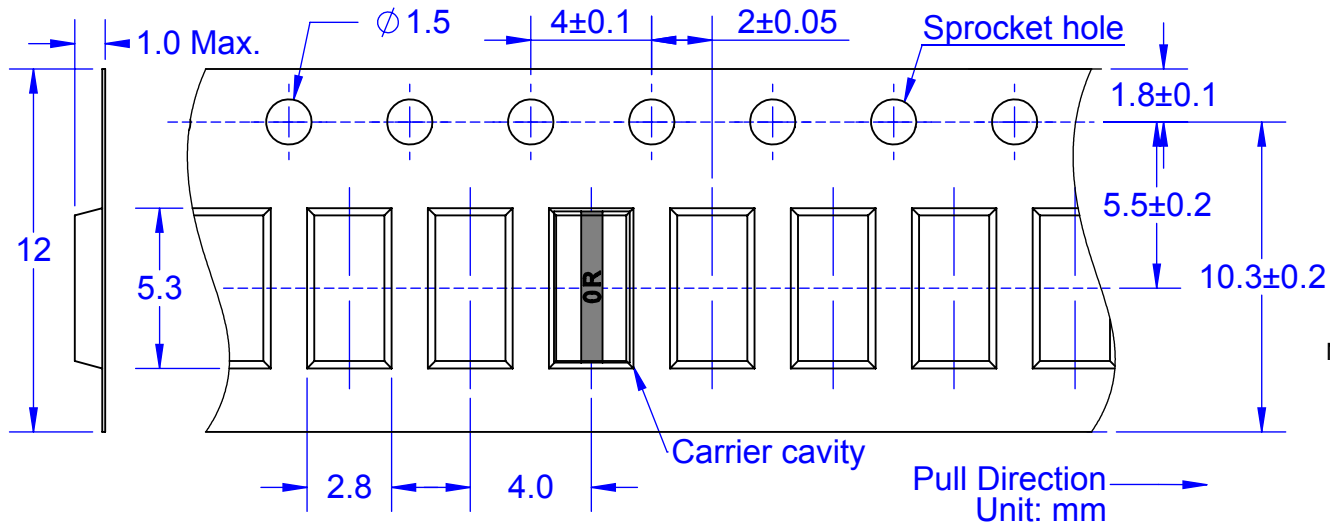
NOTES:

1. DIMENSION mm.
2. TERMINATION: Tin (Sn).
3. Pb-FREE.



APPROVALS	DATE	TopLine®			
DRAWN T. Au	06/27/12				
ENG M. Hart	06/27/12	TITLE SR1020 WIDE TERMINAL RESISTOR			
MFG		SCALE	SIZE	DRAWING NO.	REV
QA			A	121020	A
CUST		DO NOT SCALE DRAWING			SHEET 1 OF 2
REVISED					

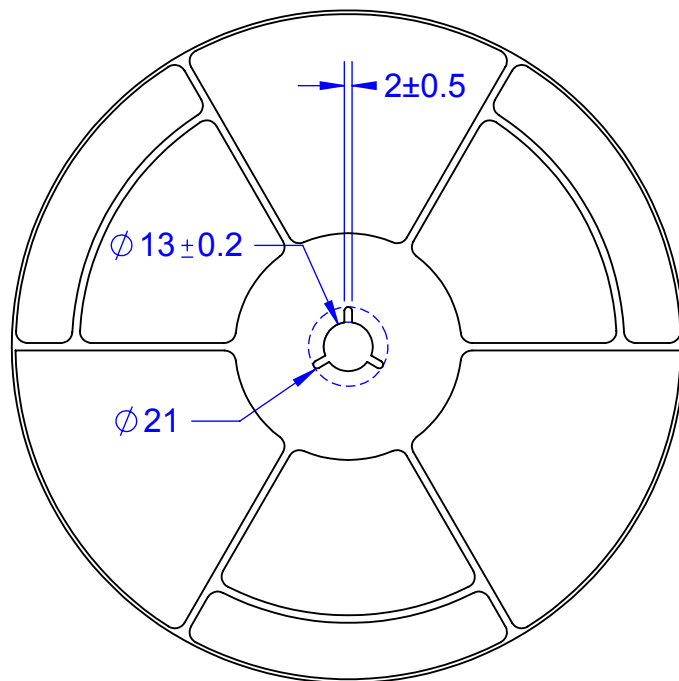
W12P4 CARRIER TAPE DIMENSION



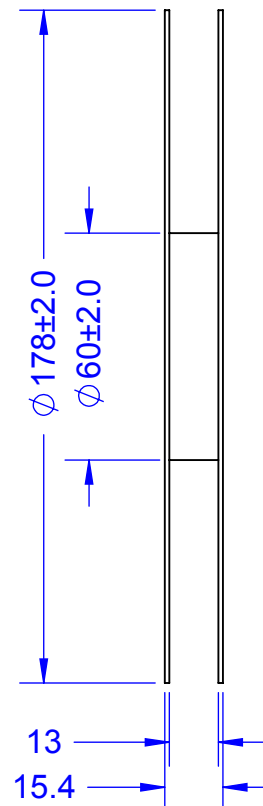
PART NUMBER SYSTEM

SR	1020	E7A	-ZERO-	TIN
RESISTOR	SIZE CODE 2.5 x 5.0mm	PACK CODE	< 50m Ω	TERMINATION Sn (TIN)

NOTE: For dummy resistor replace ZERO with blank




REEL DIMENSIONS



PACK CODE		
CODE	QTY	PACKAGE
E7A	4,000	REEL
E4A	1,000	REEL
E	500 ~ 1000	*REEL
B	100	BAG

*NOTE: CUT TAPE WITHOUT LEADER

APPROVALS	DATE				
DRAWN T. Au	06/27/12				
ENG M. Hart	06/27/12	TITLE SR1020 WIDE TERMINAL RESISTOR			
MFG		SCALE	SIZE A	DRAWING NO. 121020	REV A
QA					
CUST		DO NOT SCALE DRAWING			SHEET 2 OF 2
REVISED					