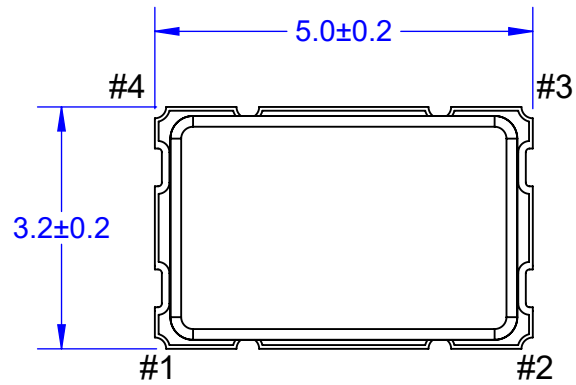
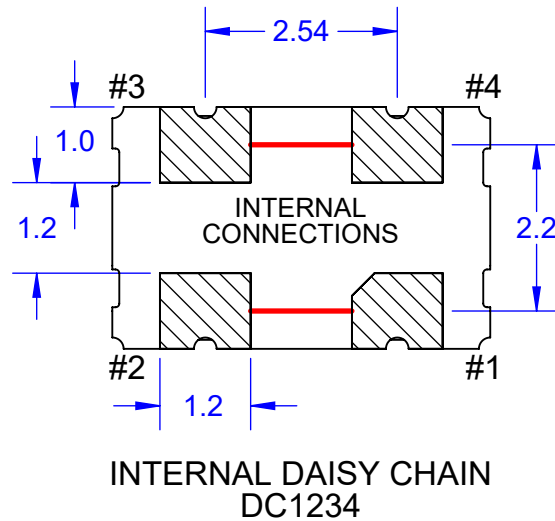


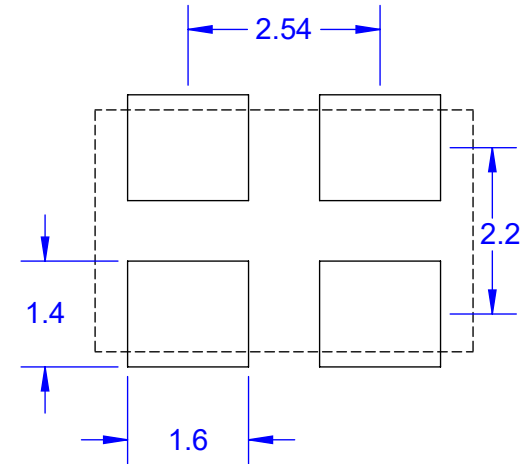
TOP VIEW



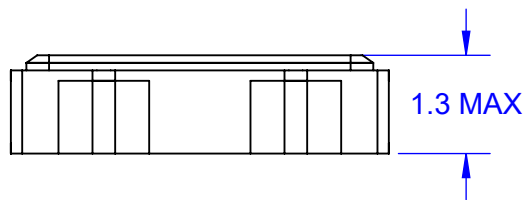
BOTTOM VIEW



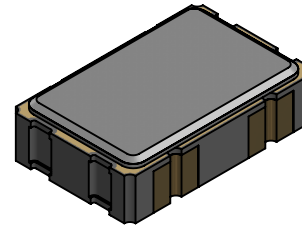
PCB LAYOUT



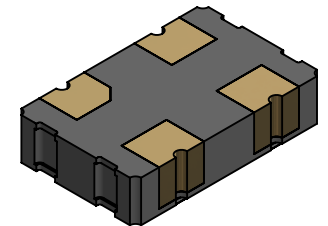
SIDE VIEW



TOP



BOTTOM



MODEL

PART NUMBER	DAISY CHAIN CONNECTION
LCC4-5.0x3.2-DC1234	PIN 1-2, PIN 3-4
LCC4-5.0x3.2	DUMMY PACKAGE UNDEFINED

NOTES: (Unless Otherwise Specified)
 1. DIMENSION IN mm.
 2. DAISY CHAIN CONNECTION INSIDE PACKAGE.

APPROVALS	DATE	TopLine®			
DRAWN T.Au	09/09/17	TITLE LCC4 - 5.0 x 3.2 DAISY CHAIN			
ENG M. Hart	09/09/17				
MFG		SCALE 6:1	SIZE A	DRAWING NO. 145032	REV A
QA		DO NOT SCALE DRAWING			SHEET 1 OF 1
CUST					
REVISED					