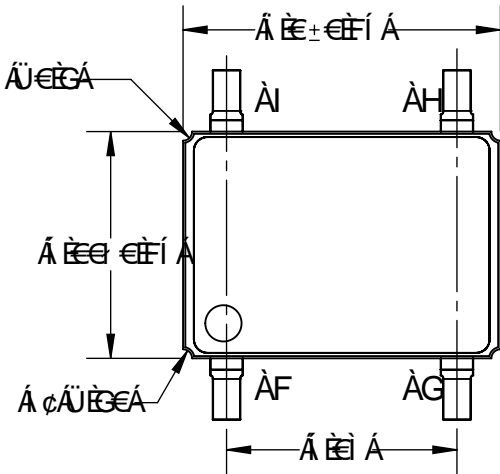
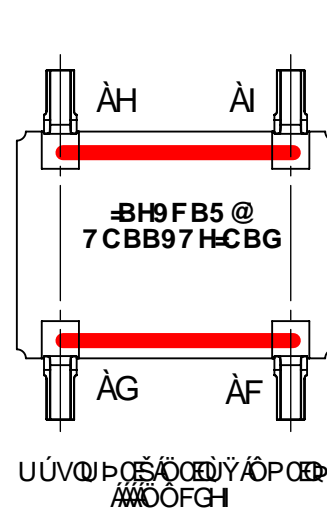


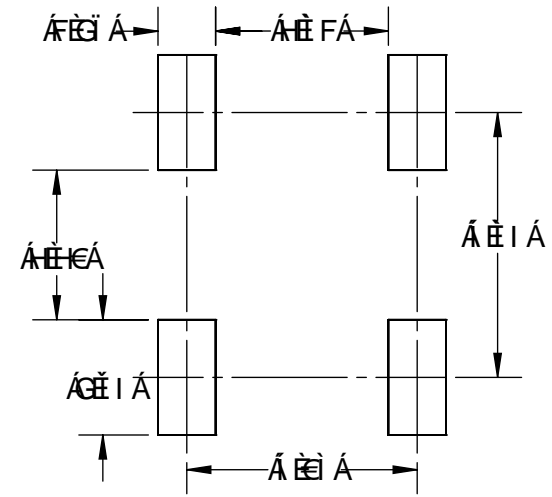
HCD J-9K



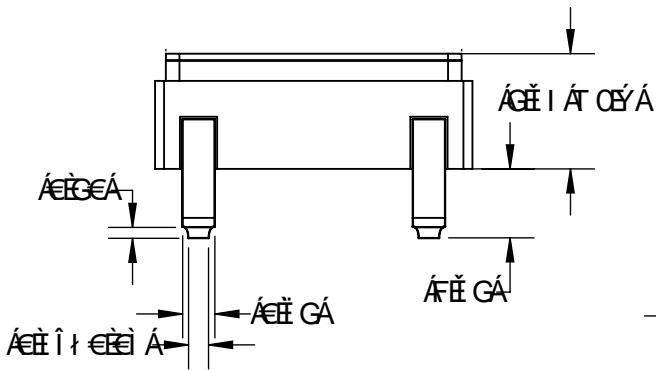
6 CHCA J-9K



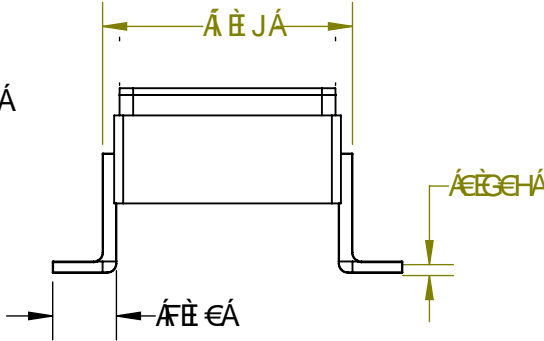
D76 MCI H



G89 J-9K



G89 J-9K

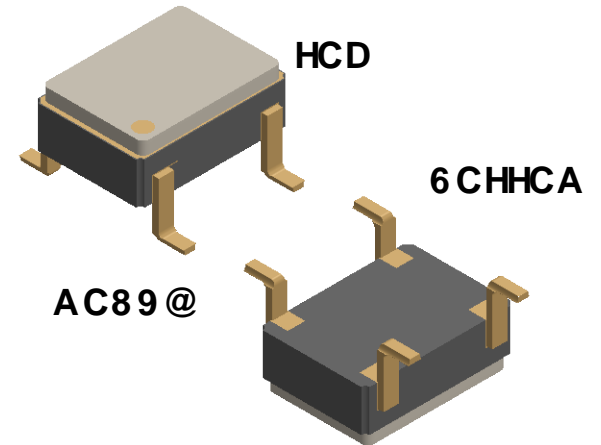


85 GM7 < 5 B B9 HGH

$\Delta_{\text{U}} \Delta$	VU
F	G
H	I

D5 FH'BI A69F'H56 @

D5 FH'BI A69F	85 GM7 < 5 B	D @ HB;	8 F5K B;
SÖOI E çl EÖÖFGH EÖWŠŠ	YÖÜ	ÖUŠÖ	FIÍIG
SÖOI E çl EÖÖFGH EÖWŠŠEÜÖ	YÖÜ	Û, Úa	FIÍIG
SÖOI E çl EÖWŠŠ	PÜ	ÖUŠÖ	FIÍIG
SÖOI E çl EÖWŠŠEÜÖ	PÜ	Û, Úa	FIÍIG



$\Delta_{\text{U}} \Delta_{\text{U}} \Delta_{\text{X}} \Delta_{\text{S}} \Delta$	$\Delta_{\text{O}} \Delta_{\text{V}} \Delta$					
$\Delta_{\text{O}} \Delta_{\text{U}} \Delta_{\text{V}} \Delta_{\text{P}} \Delta_{\text{A}} \Delta_{\text{A}} \Delta_{\text{V}} \Delta_{\text{E}}$	$\Delta_{\text{I}} \Delta_{\text{E}} \Delta_{\text{H}} \Delta_{\text{E}} \Delta_{\text{F}} \Delta_{\text{J}}$					
$\Delta_{\text{O}} \Delta_{\text{P}} \Delta_{\text{O}}$	T E P æ c	$\Delta_{\text{I}} \Delta_{\text{E}} \Delta_{\text{H}} \Delta_{\text{E}} \Delta_{\text{F}} \Delta_{\text{J}}$	VQŠÖ	$\Delta_{\text{S}} \Delta_{\text{O}} \Delta_{\text{I}} \Delta_{\text{E}} \Delta_{\text{E}} \Delta_{\text{E}} \Delta_{\text{E}}$		$\Delta_{\text{O}} \Delta_{\text{V}} \Delta_{\text{S}} \Delta_{\text{A}} \Delta_{\text{A}} \Delta_{\text{O}}$
T ø						
Ú CE		$\Delta_{\text{U}} \Delta_{\text{O}} \Delta_{\text{S}} \Delta_{\text{O}}$	$\Delta_{\text{U}} \Delta_{\text{O}}$	$\Delta_{\text{O}} \Delta_{\text{U}} \Delta_{\text{V}} \Delta_{\text{P}} \Delta_{\text{A}} \Delta_{\text{U}} \Delta_{\text{E}}$	$\Delta_{\text{U}} \Delta_{\text{X}}$	$\Delta_{\text{O}} \Delta_{\text{E}}$
Ó W V		$\Delta_{\text{I}} \Delta_{\text{E}}$	$\Delta_{\text{O}} \Delta_{\text{E}}$	$\Delta_{\text{F}} \Delta_{\text{I}} \Delta_{\text{I}} \Delta_{\text{G}} \Delta_{\text{E}}$	$\Delta_{\text{O}} \Delta_{\text{E}}$	$\Delta_{\text{O}} \Delta_{\text{E}}$
Û Ö X W Ö		$\Delta_{\text{O}} \Delta_{\text{U}} \Delta_{\text{V}} \Delta_{\text{U}} \Delta_{\text{O}} \Delta_{\text{S}} \Delta_{\text{O}} \Delta_{\text{O}} \Delta_{\text{U}} \Delta_{\text{V}} \Delta_{\text{E}} \Delta_{\text{O}}$			$\Delta_{\text{U}} \Delta_{\text{P}} \Delta_{\text{O}} \Delta_{\text{V}} \Delta_{\text{A}} \Delta_{\text{U}} \Delta_{\text{O}} \Delta_{\text{F}}$	

$\Delta_{\text{P}} \Delta_{\text{U}} \Delta_{\text{V}} \Delta_{\text{O}} \Delta_{\text{U}} \Delta_{\text{K}} \Delta_{\text{W}} \Delta_{\text{P}} \Delta_{\text{A}} \Delta_{\text{A}} \Delta_{\text{I}} \Delta_{\text{E}}$
 $\Delta_{\text{F}} \Delta_{\text{Z}} \Delta_{\text{O}} \Delta_{\text{P}} \Delta_{\text{U}} \Delta_{\text{V}} \Delta_{\text{P}} \Delta_{\text{A}} \Delta_{\text{A}} \Delta_{\text{I}} \Delta_{\text{E}}$
 $\Delta_{\text{G}} \Delta_{\text{Z}} \Delta_{\text{O}} \Delta_{\text{Y}} \Delta_{\text{A}} \Delta_{\text{O}} \Delta_{\text{P}} \Delta_{\text{O}} \Delta_{\text{O}} \Delta_{\text{P}} \Delta_{\text{O}} \Delta_{\text{V}} \Delta_{\text{A}} \Delta_{\text{S}} \Delta_{\text{O}} \Delta_{\text{V}} \Delta_{\text{E}}$