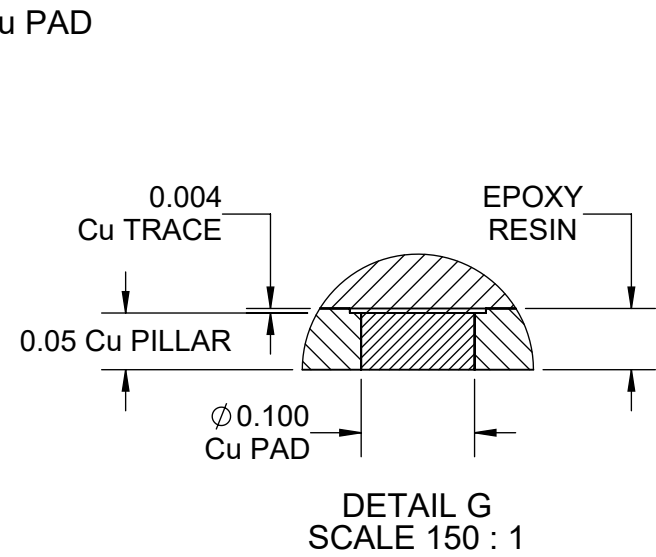
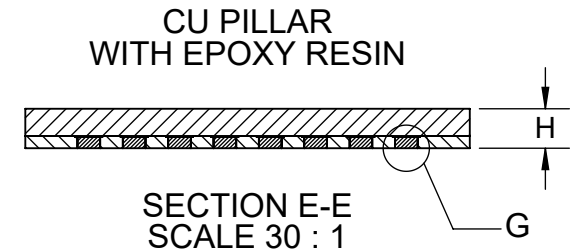
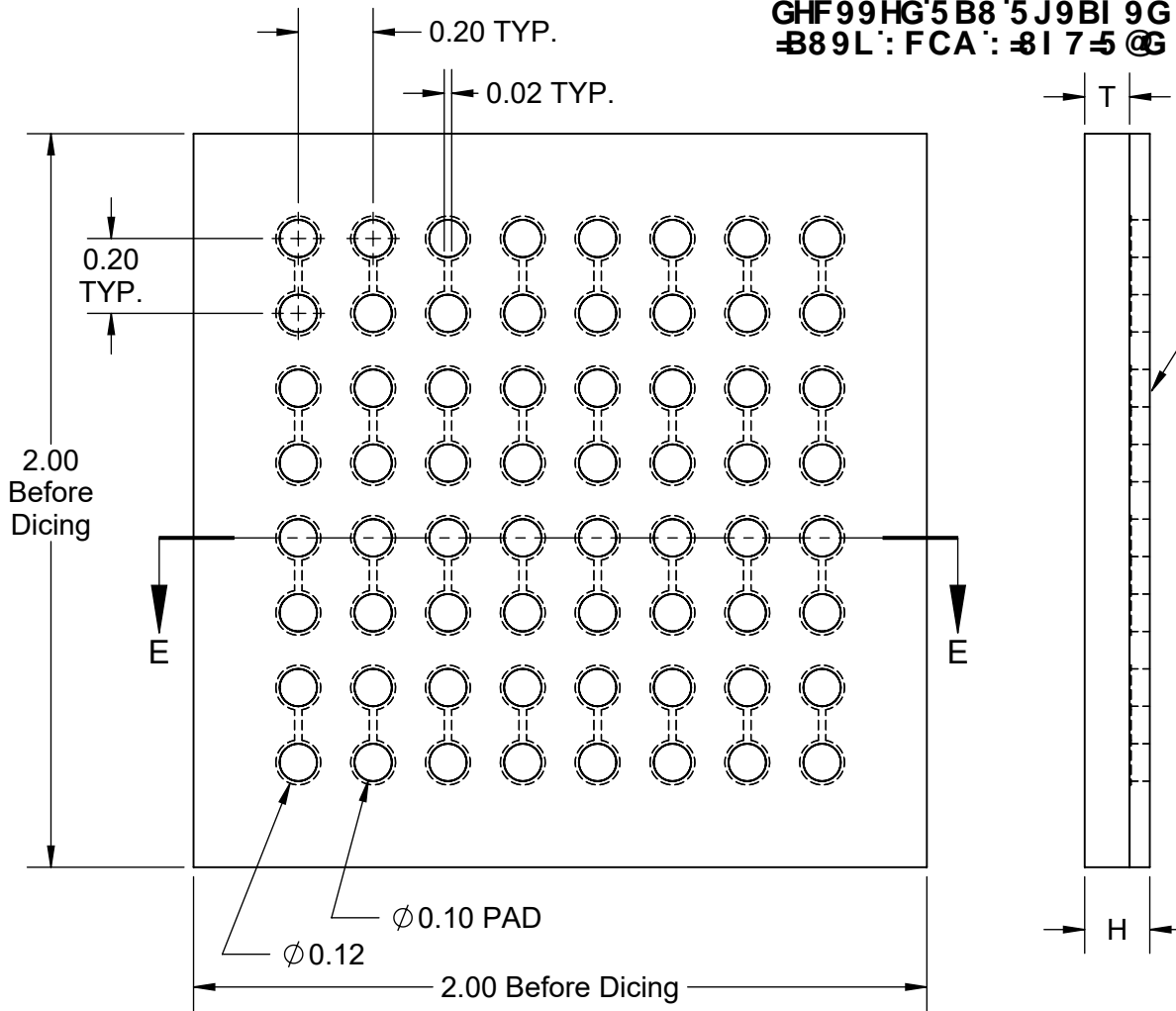


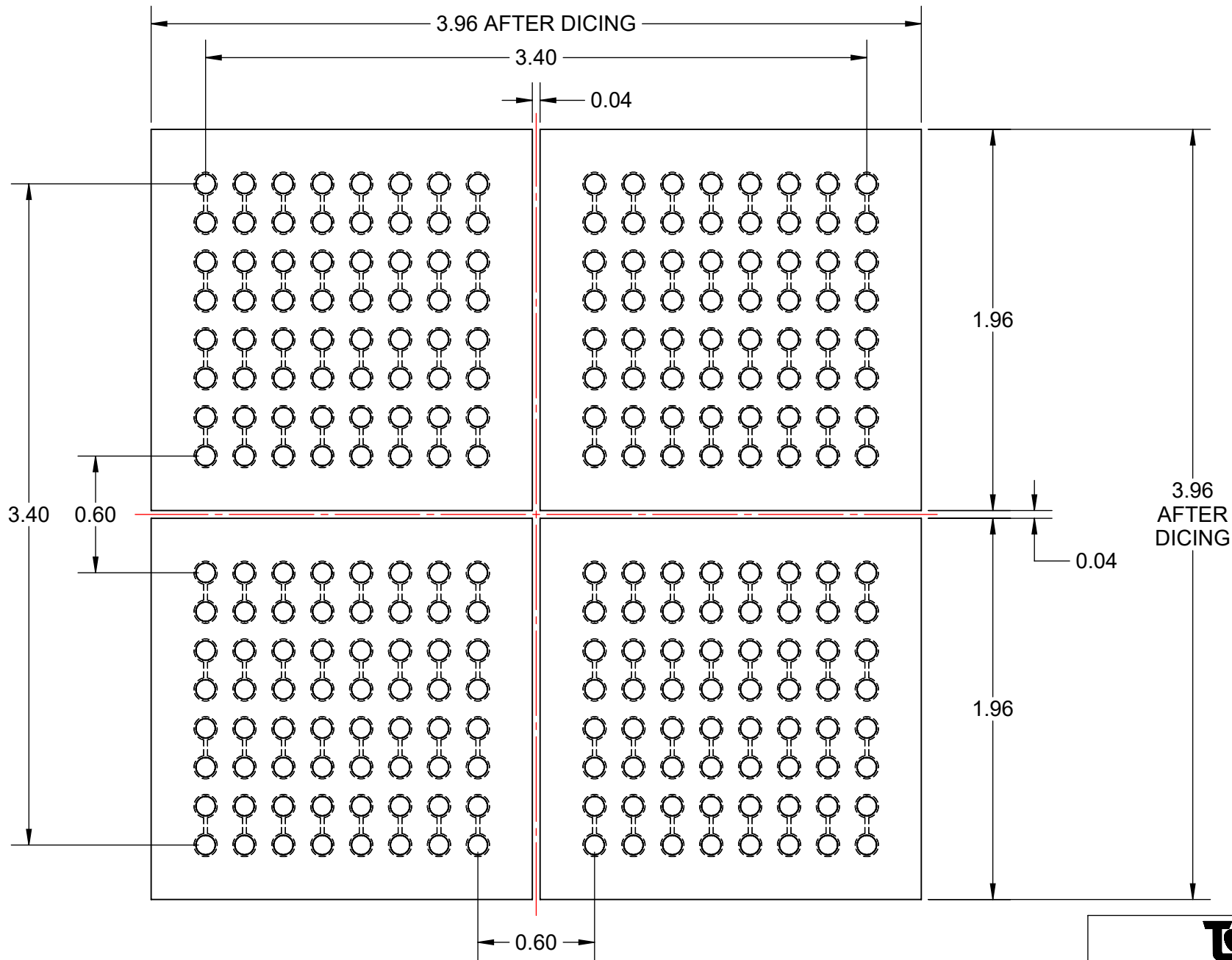
GHF99HG'5 B8 '5 J9BI 9G
 B89L' : FCA : 81 7 5 @G



8 9 'H< 7 ? B9 GG' CDH< CBG		
7 C89	H< 7 ? B9 GG Gj'8 9 'fHL	HCH5 @H< 7 ? B9 GG K #< CI H'6I ADG'fkL
E2	0.150mm	0.200mm
E3	0.310mm	0.360mm
E4	0.360mm	0.410mm
E6	0.600mm	0.650mm

NOTES:
 1. DIMENSIONS MM UNLESS OTHERWISE STATED.

TopLine®			
TITLE eWLP64X.2-DC088D DAISY CHAIN COPPER PAD DIE			
SCALE 50:1	SIZE A	DRAWING NO. 620880	REV A
DO NOT SCALE DRAWING			SHEET 2 OF 4



1. DIMENSIONS MM.

TopLine®

TITLE eWLP64X.2-DC088D
DAISY CHAIN UNSAWN WAFER

SCALE 35:1	SIZE A	DRAWING NO. 629997	REV A
---------------	-----------	-----------------------	----------

DO NOT SCALE DRAWING

SHEET 3 OF 13

PART NUMBERING SYSTEM

eWLP

256

SERIES

eWLP = COPPER PADS WITHOUT BUMPS

NUMBER OF PADS

PADS	SIZE
64	2.0x2.0mm
256	4.0x4.0mm
576	6.0x6.0mm
1024	8.0x8.0mm
1600	10x10mm
2304	12x12mm
3136	14x14mm
4096	16x16mm
999	Full Wafer

T

.2

-

DC168



.2 = 0.2mm
200µm

PACKAGING

CODE	PACKAGE
W	2" TRAY
T	4" TRAY
E	TAPE & REEL
U	UV TAPE & RING
X	UNDICED WAFER IN CARRER

D

2



DAISY CHAIN DRAWING
DC999 = FULL WAFER

DIE THICKNESS

CODE	THICKNESS
2	200µm
3	360~370µm
BLANK	670µm

PADS FACE UP/DOWN

D = COPPER PADS DOWN
U = COPPER PADS UP



TITLE eWLP256X.2-DC168D
DAISY CHAIN UNSAWN WAFER

SCALE	SIZE	DRAWING NO.	REV
NONE	A	629997	A