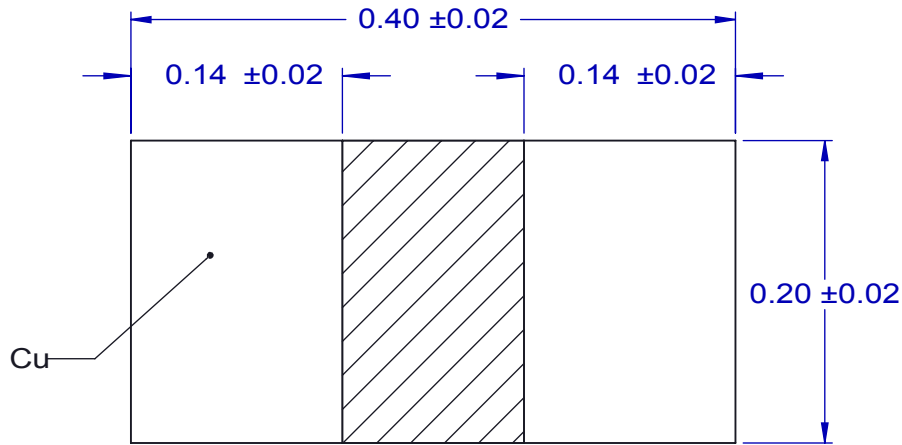
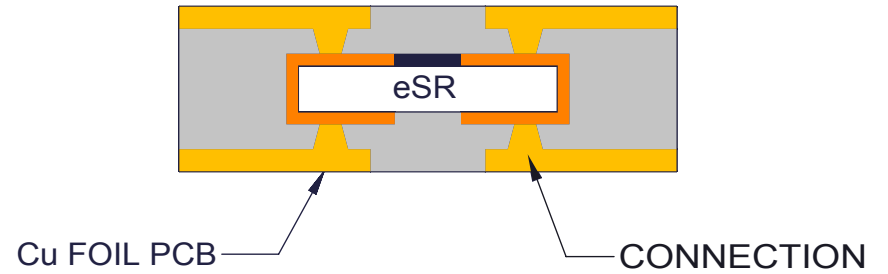


TOP VIEW

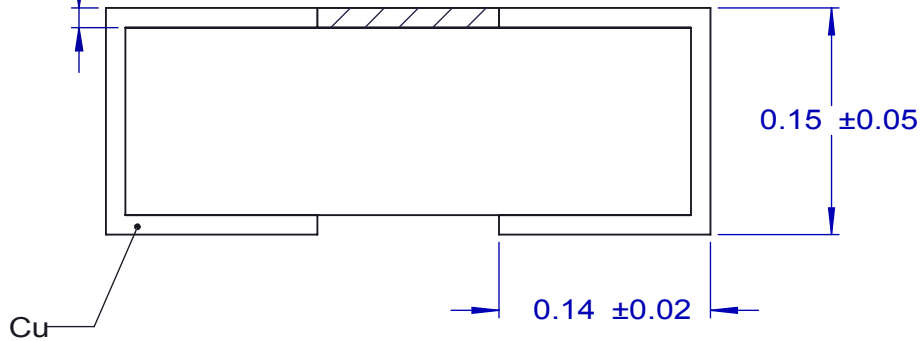


TYPICAL EMBEDDING APPLICATION
INSIDE CROSS SECTION OF PCB BOARD



0.006~0.013

SIDE VIEW



NOTES:

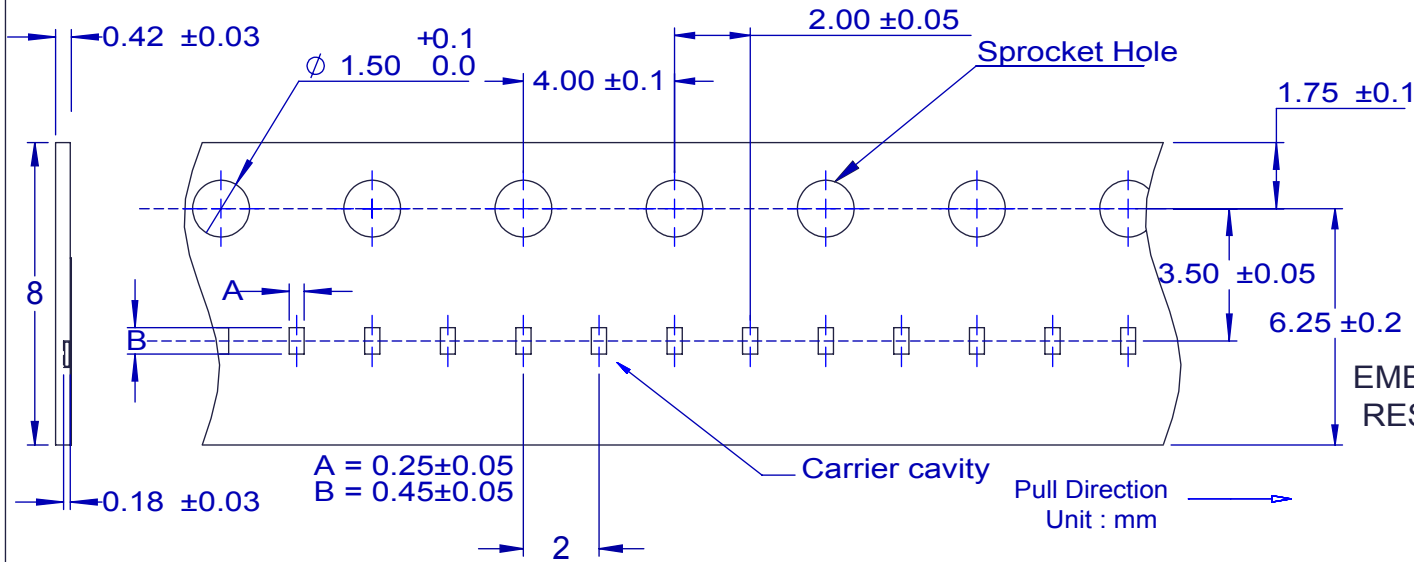
1. DIMENSION mm.
2. TERMINATIONS: COPPER (Cu).
3. Pb-FREE AND HALOGEN FREE.

ELECTRICAL RATING:

RESISTANCE: JUMPER < 50mΩ
CURRENT: 0.5 A
TEMPERATURE: -55°C to +125°C

APPROVALS	DATE	TopLine®			
DRAWN T. Au	06/25/12				
ENG M. Hart	06/25/12	TITLE eSR01005 ZERO OHM EMBEDDED RESISTOR			
MFG		SCALE	SIZE A	DRAWING NO. 120150	REV A
QA					
CUST		DO NOT SCALE DRAWING			SHEET 1 OF 2
REVISED					

W8P2 CARRIER TAPE



PART NUMBER SYSTEM

eSR 01005 P7A - ZERO - CU

EMBEDDED RESISTOR

PACK CODE

JUMPER < 50mΩ

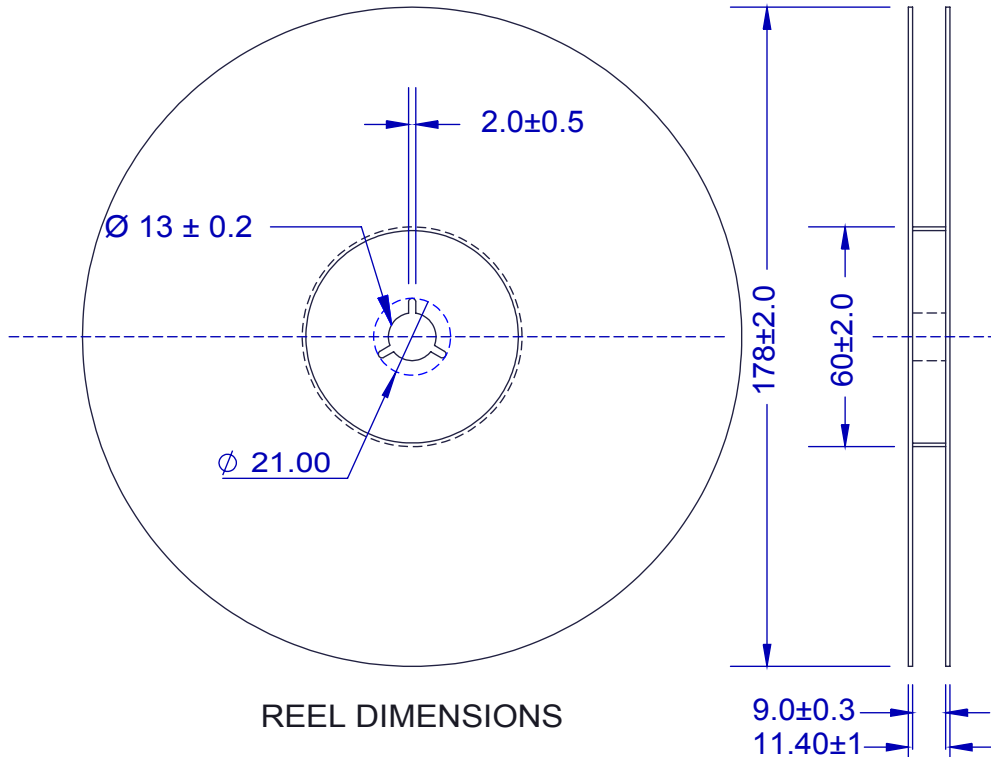
SIZE CODE

0.4 x 0.2mm

TERMINATION

Cu

COPPER



PACKAGE CODE		
CODE	QTY	PACKAGE
P7A	20 000	REEL
P7B	5000	REEL
P4A	1000	REEL
W	400	TRAY*

*NOTE: UNCONTROLLED PLACEMENT IN TRAY

APPROVALS	DATE	TopLine®			
DRAWN T. Au	06/25/12				
ENG M. Hart	06/25/12	TITLE eSR01005 ZERO OHM EMBEDDED RESISTOR			
MFG		SCALE	SIZE	DRAWING NO.	REV
QA			A	120150	A
CUST		DO NOT SCALE DRAWING			SHEET 2 OF 2
REVISED					