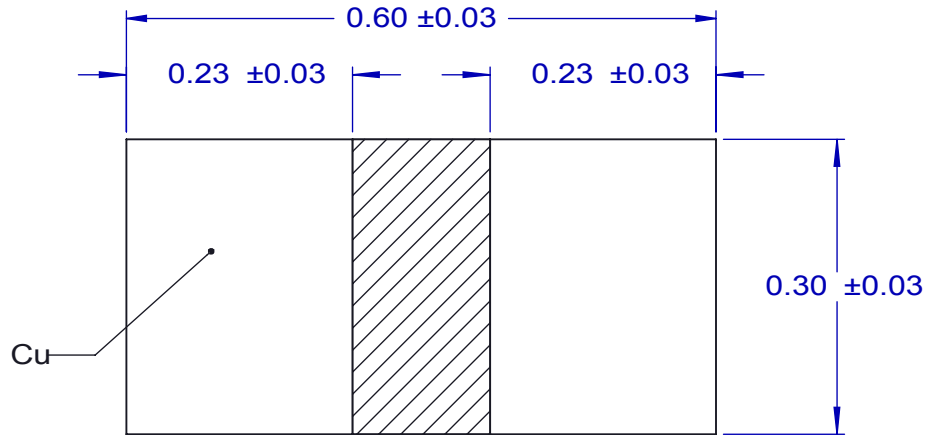
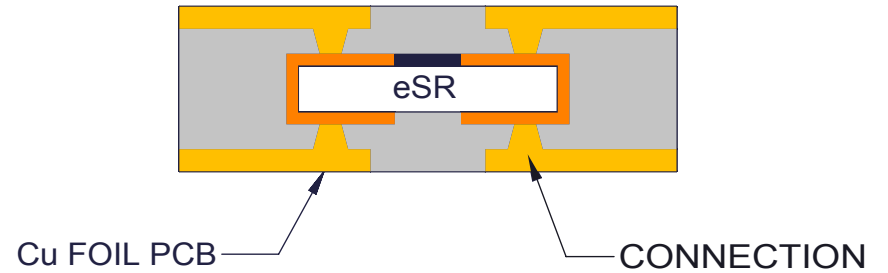


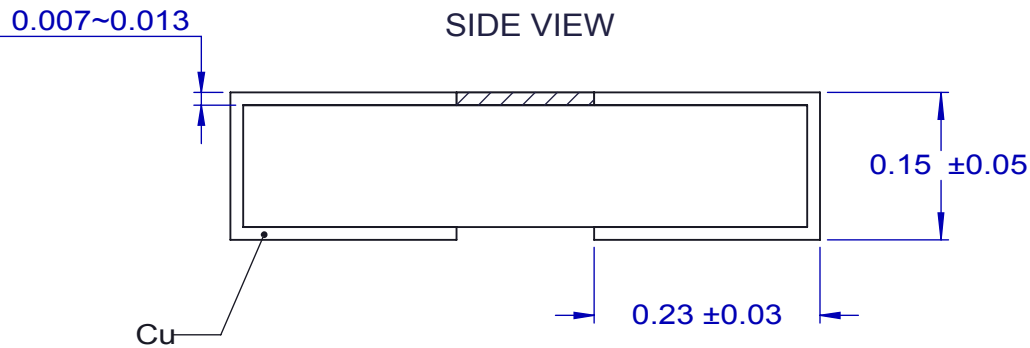
TOP VIEW



TYPICAL EMBEDDING APPLICATION
INSIDE CROSS SECTION OF PCB BOARD



SIDE VIEW



ELECTRICAL RATING:

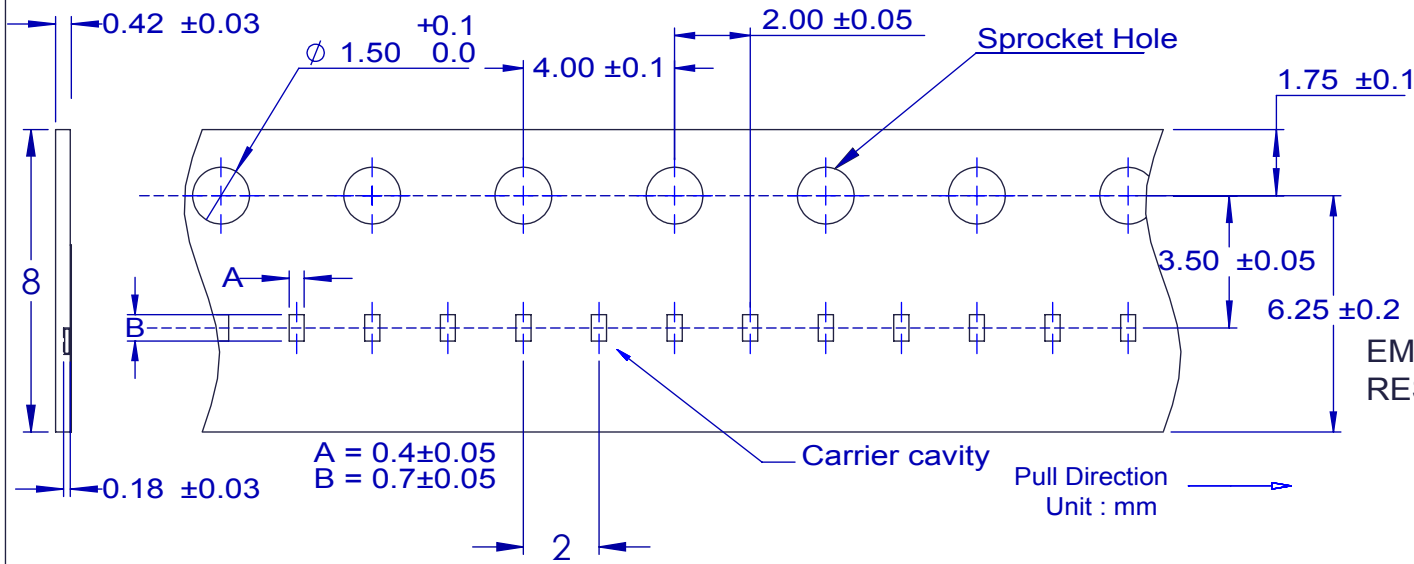
RESISTANCE: JUMPER < 50mΩ
CURRENT: 1.0 A
TEMPERATURE: -55°C to +125°C

NOTES:

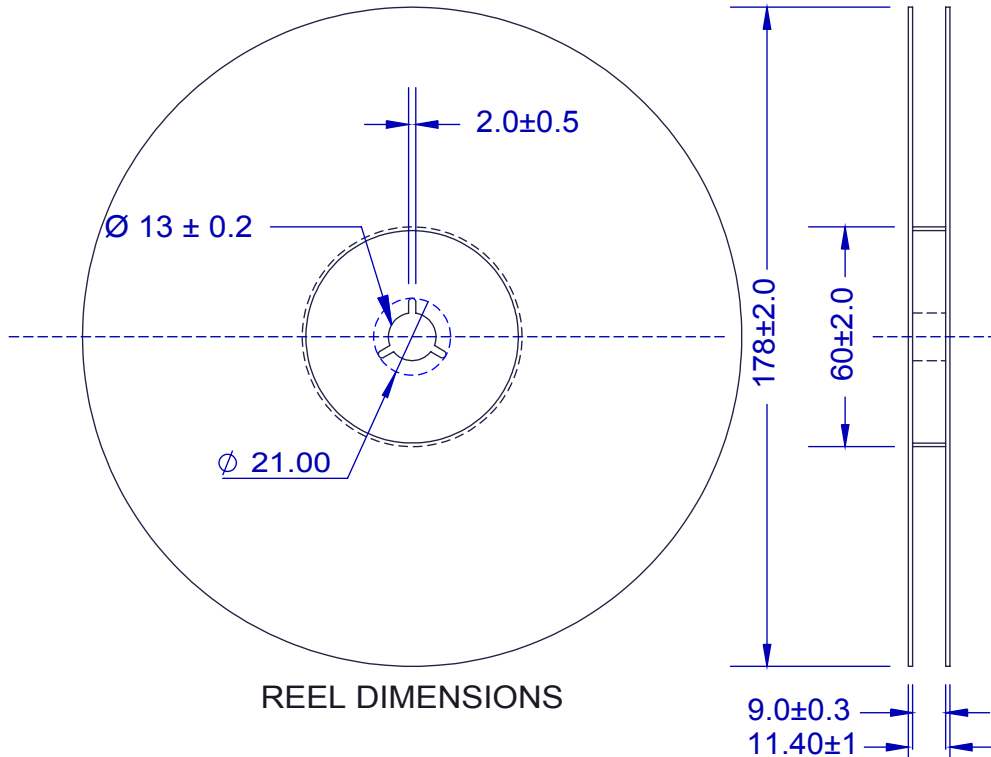
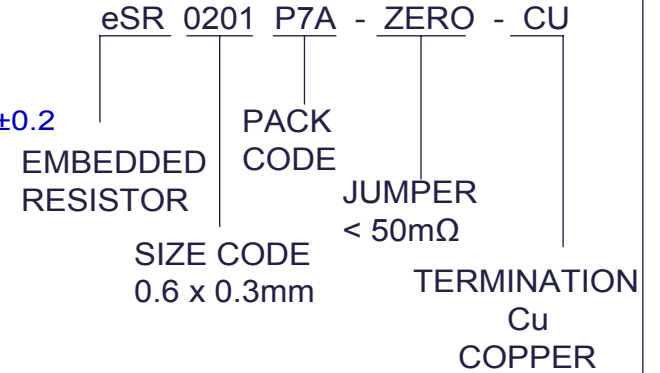
1. DIMENSION mm.
2. TERMINATIONS: COPPER (Cu).
3. Pb-FREE AND HALOGEN FREE.

APPROVALS	DATE	TopLine®			
DRAWN T. Au	06/25/12				
ENG M. Hart	06/25/12	TITLE eSR0201 ZERO OHM EMBEDDED RESISTOR			
MFG		SCALE	SIZE A	DRAWING NO. 120201	REV A
QA		DO NOT SCALE DRAWING		SHEET 1 OF 2	
CUST					
REVISED					

W8P2 CARRIER TAPE



PART NUMBER SYSTEM



REEL DIMENSIONS

PACKAGE CODE

CODE	QTY	PACKAGE
P7A	15 000	REEL
P7B	5000	REEL
P4A	1000	REEL
W	400	TRAY*

*NOTE: UNCONTROLLED PLACEMENT IN TRAY

APPROVALS	DATE	TopLine®			
DRAWN T. Au	06/25/12				
ENG M. Hart	06/25/12	TITLE eSR0201 ZERO OHM EMBEDDED RESISTOR			
MFG		SCALE	SIZE A	DRAWING NO. 120201	REV A
QA		DO NOT SCALE DRAWING		SHEET 2 OF 2	
CUST					
REVISED					