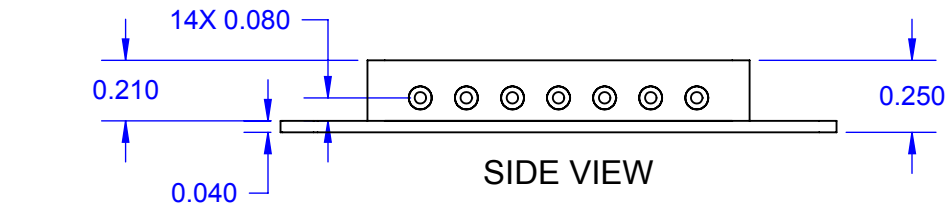
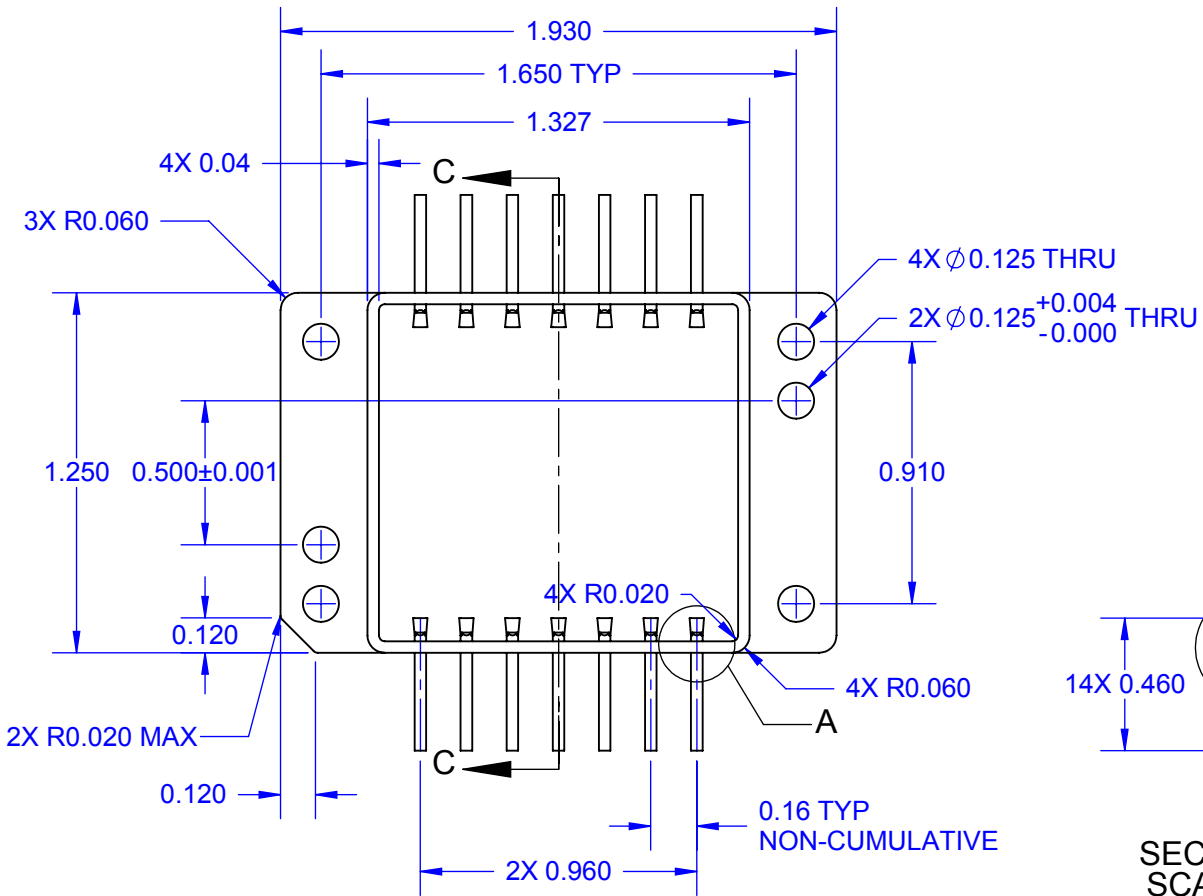
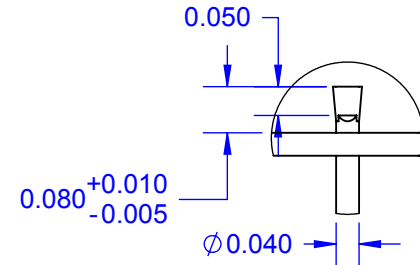


14L HERMETIC FLAT PACK

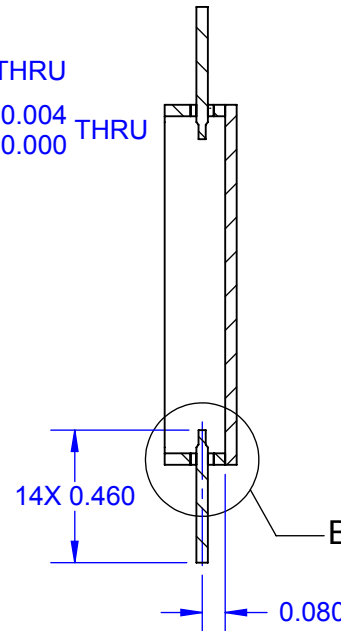
TOP VIEW



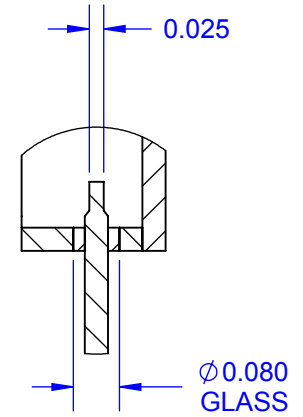
SIDE VIEW



DETAIL A
SCALE 3 : 1
14 PLACES



SECTION C-C
SCALE 1.5 : 1



DETAIL B
SCALE 3 : 1
14 PLACES

NOTES: (Unless Otherwise Specified)

1. ALL DIMENSIONS IN INCHES.

2. MATERIALS:

FRAME: ASTM F-15 ALLOY (KOVAR).


BASE: MOLYBDENUM.

LEADS: ASTM F-15 ALLOY (KOVAR).

SEALS: CORNING 7025 GLASS OR EQUIVALENT.

PLATING REQUIREMENTS

	BODY/FRAME			LEADS		
	THICKNESS	TYPE	PER SPEC	THICKNESS	TYPE	PER SPEC
NICKEL	100-300 µ"	ELECTROLYTIC	QQ-N-290	100-300 µ"	ELECTROLYTIC	QQ-N-290
	2.54-7.62 µm			2.54-7.62 µm		
GOLD	100-MIN µ"	ELECTROLYTIC	MIL-G-45204 TYPE III GRADE A	100-MIN µ"	ELECTROLYTIC	MIL-G-45204 TYPE III GRADE A
	2.54-MIN µm			2.54-MIN µm		

APPROVALS	DATE				
DRAWN T.Au	5/18/13				
ENG M. Hart	5/18/13	TITLE 14L HERMETIC FLAT PACK HP14F1.25X1.327M-N			
MFG		SCALE 1.5:1	SIZE A	DRAWING NO. 121450	REV A
QA					
CUST					
REVISED		DO NOT SCALE DRAWING			SHEET 1 OF 1