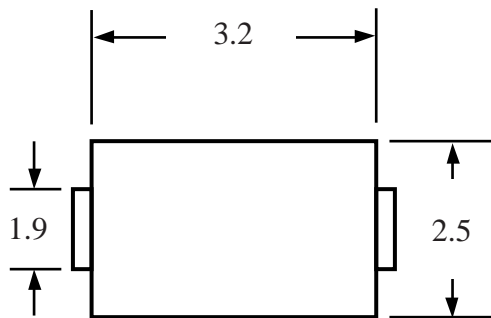
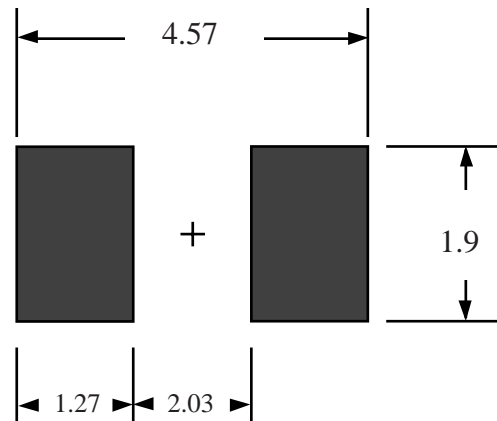


Part # **SI1210**
Molded Chip Inductor
 Body Size **1210**
 Dwg SI1210.pdf

TopLine™
 Tel 1-714-898-3830
 info@topline.to

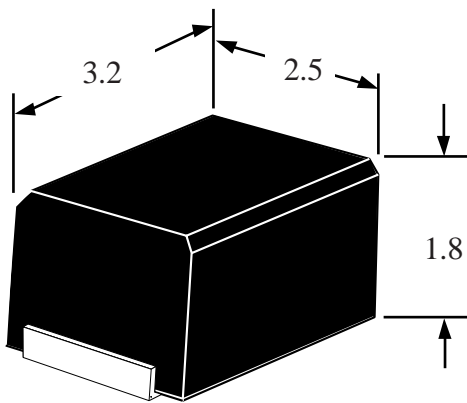


Top View

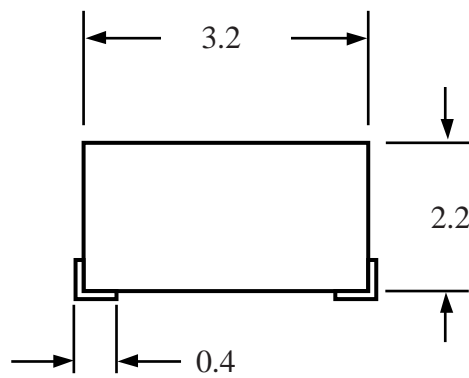


PC Board

Dimensions = mm



Quick View



Side View Detail