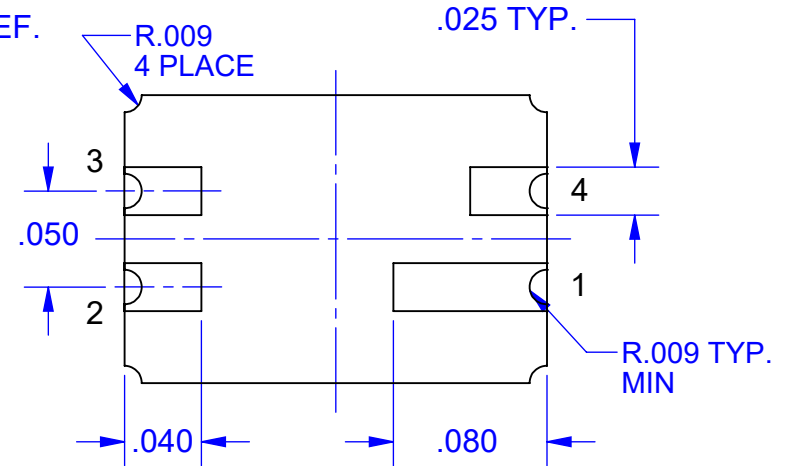
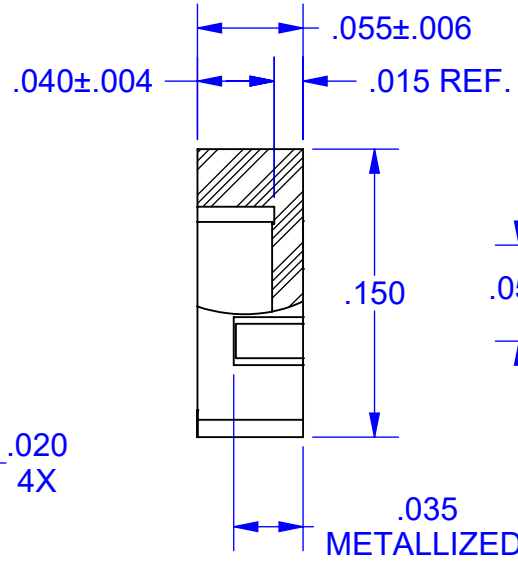
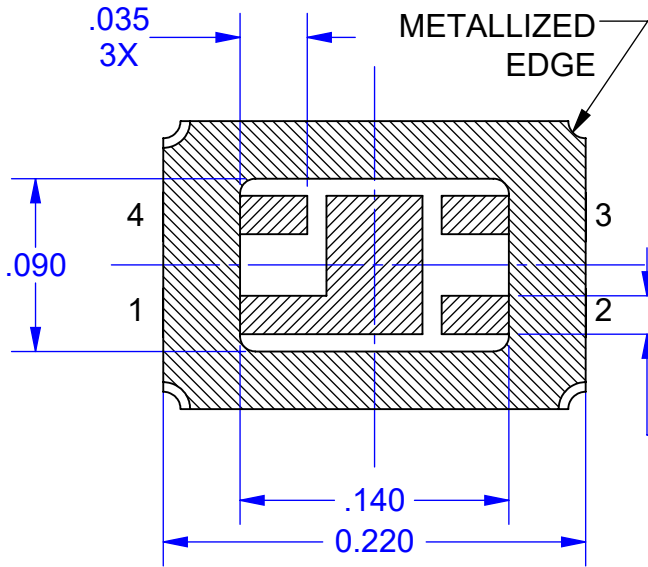


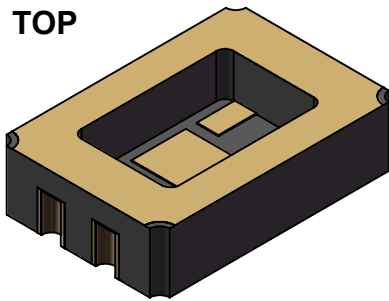
TOP VIEW

SIDE VIEW

BOTTOM VIEW

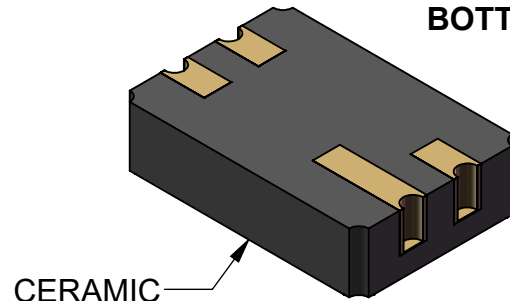


TOP



MODEL

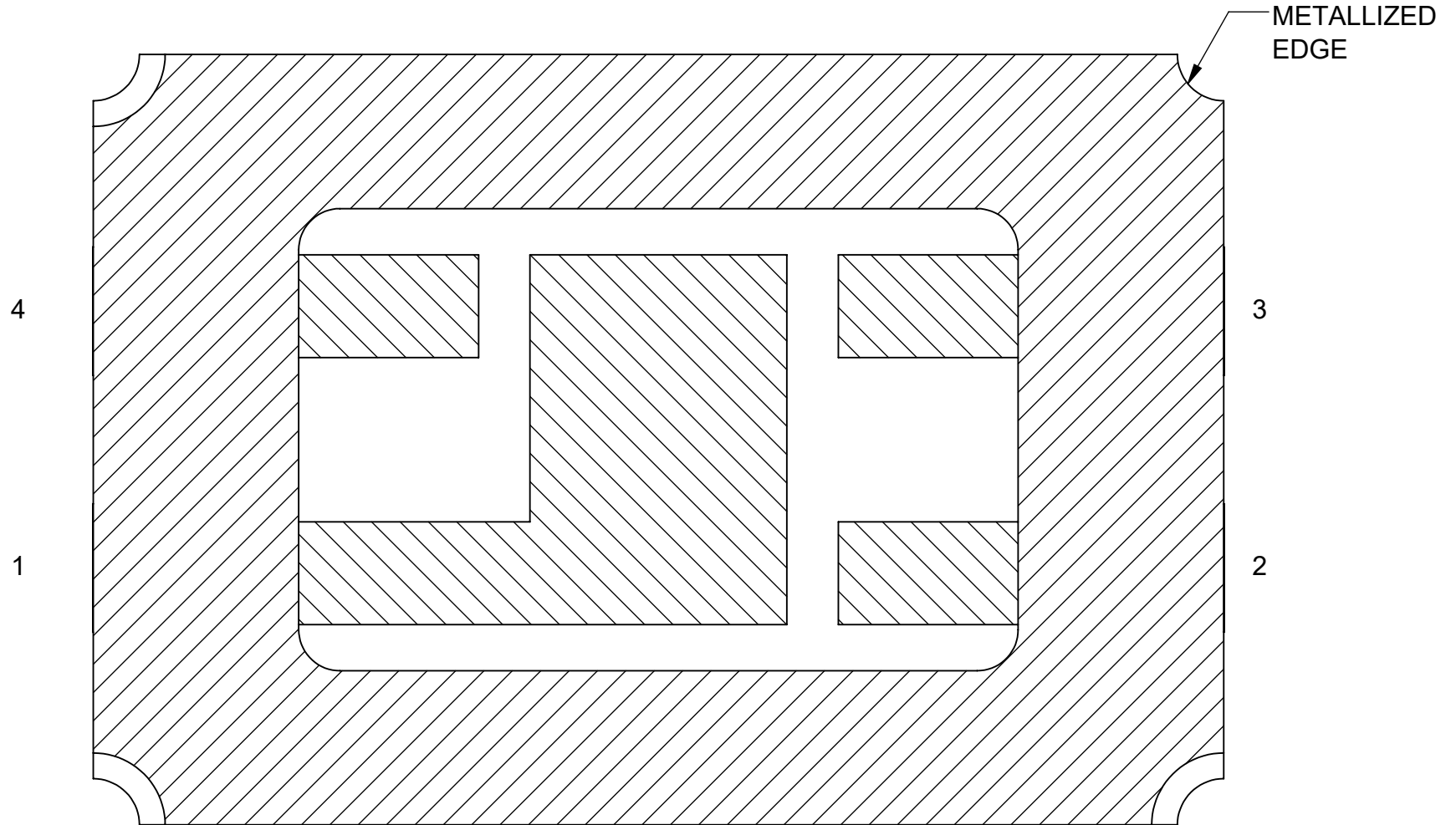
BOTTOM



Notes: (Unless Otherwise Specified).
 1) DIMENSIONS INCHES.
 2) PLATING:
 Ni 80 MICRO-INCH (2.0 μm) MIN.
 Au 60 MICRO-INCH (1.5 μm) MIN.

APPROVALS	DATE	TopLine®			
DRAWN T.Au	7/24/2021				
ENG M. Hart	7/24/2021	TITLE LCC4B50R.15x.22-N90x140A OPEN CERAMIC PACKAGE			
MFG		SCALE	SIZE	DRAWING NO.	REV
QA		10:1	A	150137	A
CUST		DO NOT SCALE DRAWING			SHEET 1 OF 4
REVISED					

BOND PAD DIAGRAM



TopLine[®]

TITLE LCC4B50R.15x.22-N90x140A
OPEN CERAMIC PACKAGE

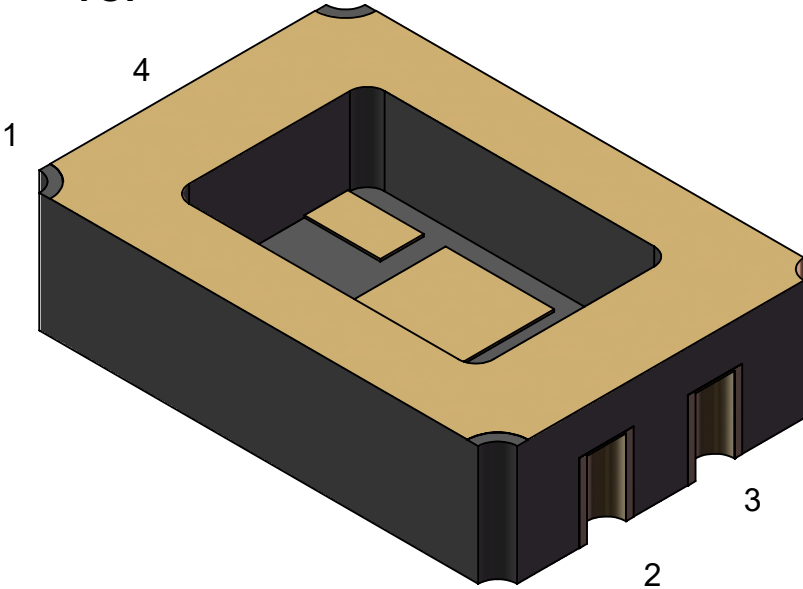
SCALE	SIZE	DRAWING NO.	REV
10:1	A	150137	A

DO NOT SCALE DRAWING

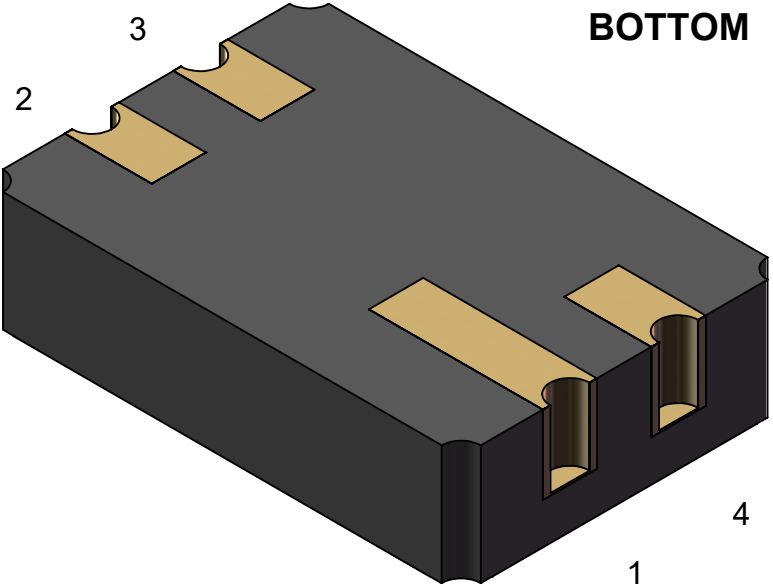
SHEET 2 OF 4

MODELS

TOP



BOTTOM



TopLine[®]

TITLE LCC4B50R.15x.22-N90x140A
OPEN CERAMIC PACKAGE

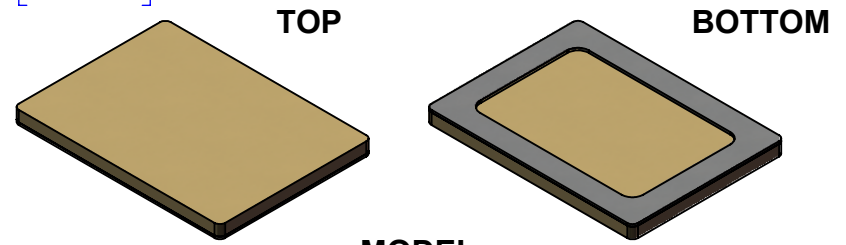
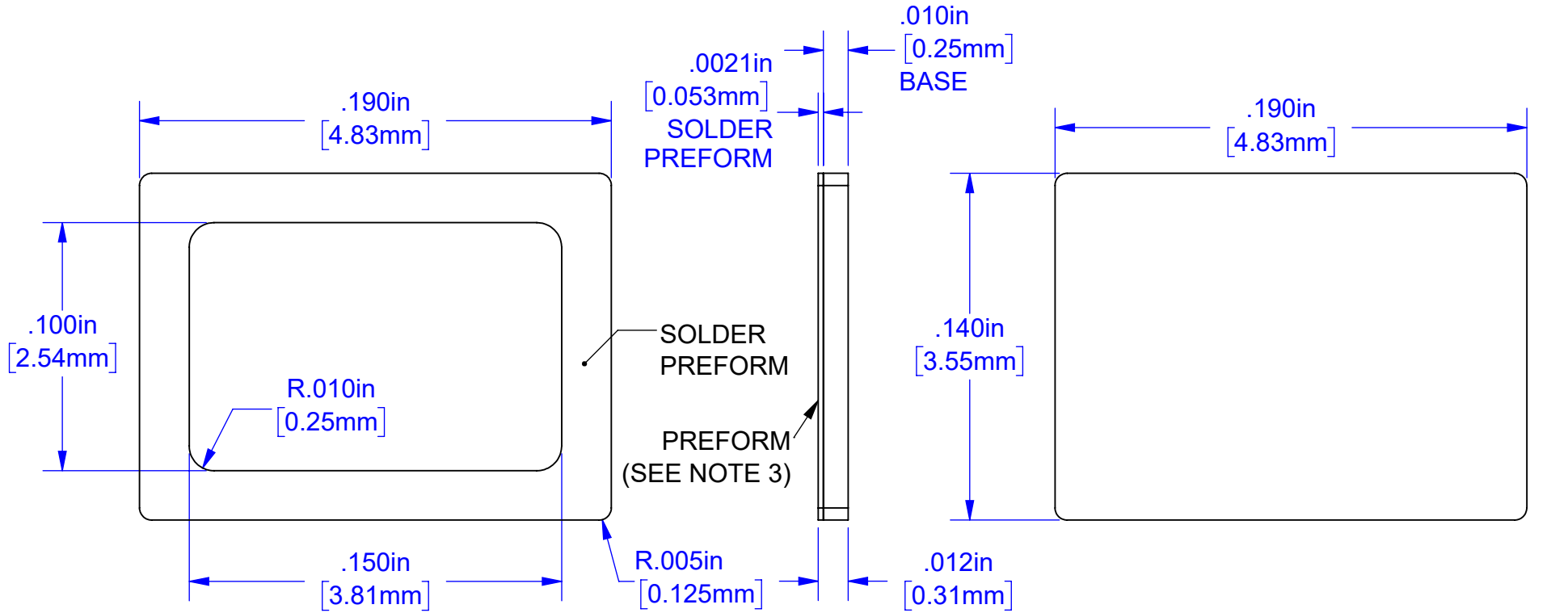
SCALE 10:1	SIZE A	DRAWING NO. 150137	REV A
---------------	-----------	-----------------------	----------

COMBO LID (OPTIONAL)

BOTTOM

SIDE

TOP



NOTES:

1. BASE MATERIAL: KOVAR or ALLOY 42.
2. PLATING: Ni 50~350 MICRO-INCH PER SIDE.
Au 25 MICRO-INCH PER SIDE.
3. SOLDER PREFORM: Au 80% ± Sn 20%.
4. FLATNESS 1.0 MIL (25µm) MAXIMUM PER 0.5-inch (12.7mm).

MODEL

TopLine®			
TITLE CL-190x140-A COMBO LID			
SCALE 10:1	SIZE A	DRAWING NO. 170118	REV A
DO NOT SCALE DRAWING			SHEET 4 OF 4

REF HR-C-2004