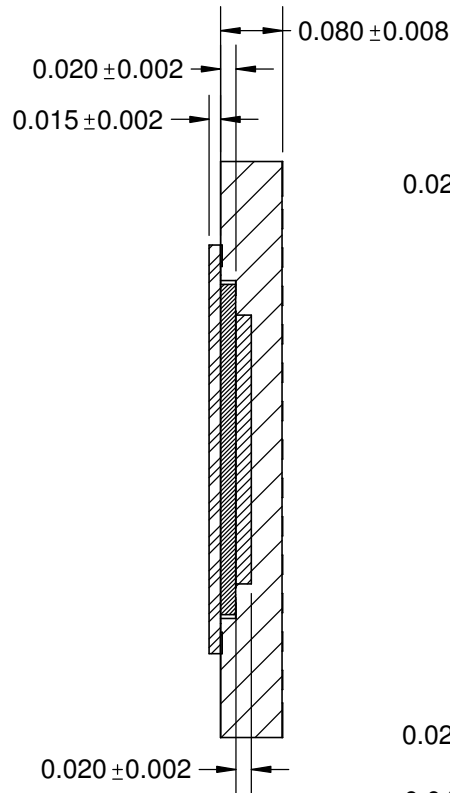
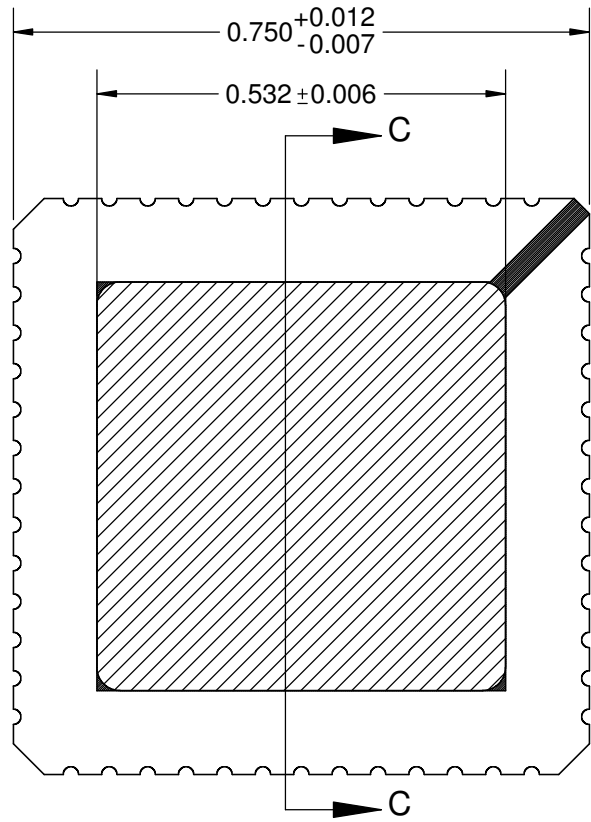
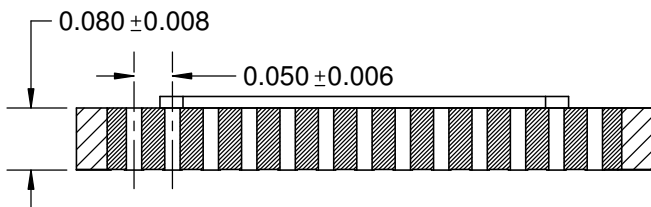


### TOP VIEW

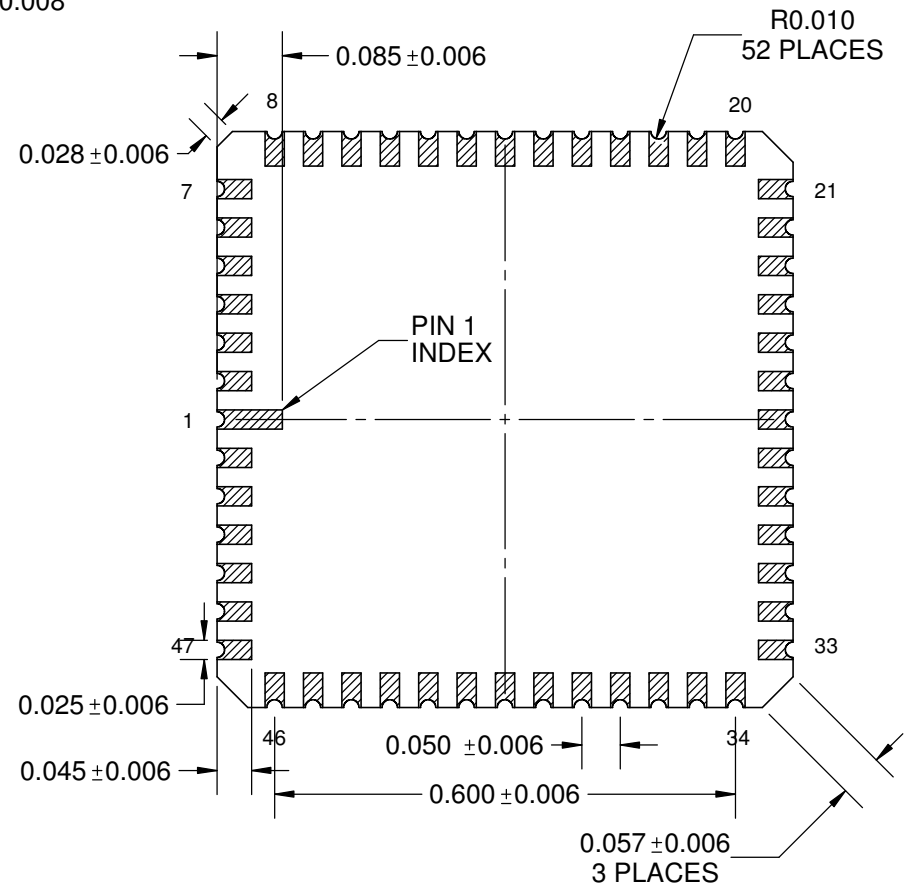


SECTION C-C



EDGE VIEW

### BOTTOM VIEW



Notes: (Unless Otherwise Specified).


1) PLATING:

Ni 80 MICRO-INCH (2.0µm) MIN.

Au 60 MICRO-INCH (1.5µm) MIN.

2) DIMENSIONS in INCH (UNLESS SPECIFIED).

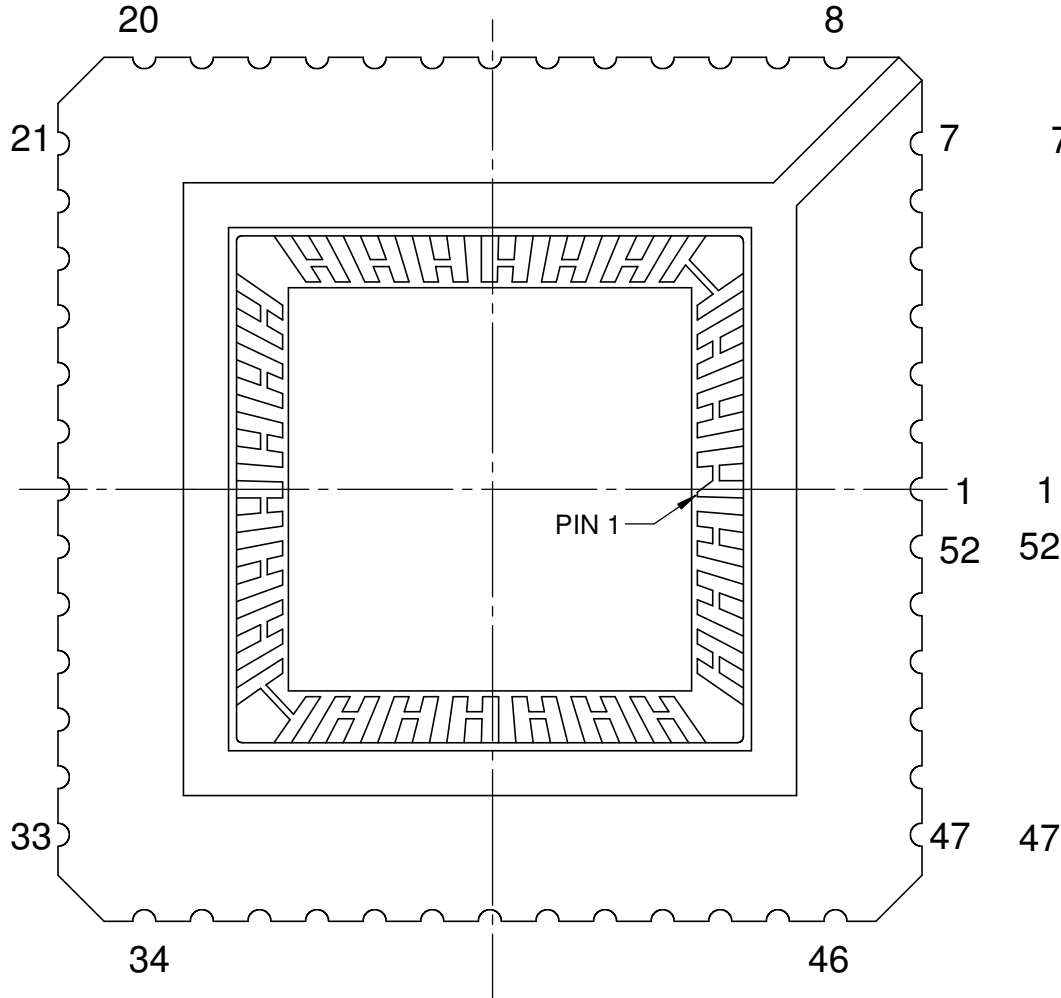
PART NUMBER	COVER	PLATING	DAISY CHAIN
LCC52B50SQ.75	SEALED	NiAu	NO
LCC52B50SQ.75-SC	SEALED	SnPb	NO
LCC52B50SQ.75-DE	SEALED	NiAu	YES
LCC52B50SQ.75-DE-SC	SEALED	SnPb	YES

APPROVALS	DATE				
DRAWN T. Au	1/11/2017				
ENG M. Hart	1/11/2017	TITLE LCC52B50SQ.75			
MFG		SCALE 5:1	SIZE A	DRAWING NO. 145200	REV A
REVISD		DO NOT SCALE DRAWING			SHEET 1 OF 3

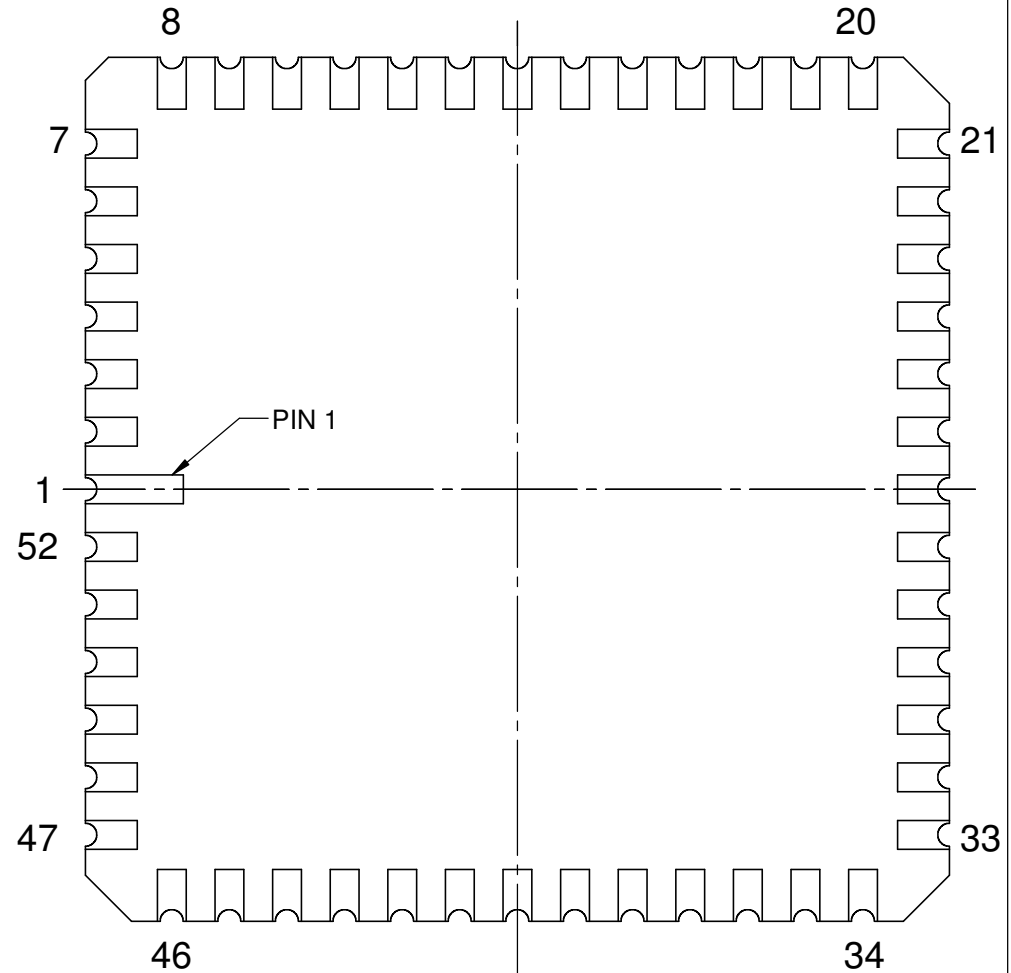
# LCC52B50SQ.75

## DAISY CHAIN

### TOP VIEW



### BOTTOM VIEW



### DAISY CHAIN NET LIST

FROM / TO	FROM / TO	FROM / TO	FROM / TO	FROM / TO	FROM / TO	FROM / TO
1 ~ 2	9 ~ 10	17 ~ 18	25 ~ 26	33 ~ 34	41 ~ 42	49 ~ 50
3 ~ 4	11 ~ 12	19 ~ 20	27 ~ 28	35 ~ 36	43 ~ 44	51 ~ 52
5 ~ 6	13 ~ 14	21 ~ 22	29 ~ 30	37 ~ 38	45 ~ 46	
7 ~ 8	15 ~ 16	23 ~ 24	31 ~ 32	39 ~ 40	47 ~ 48	

**TopLine®**

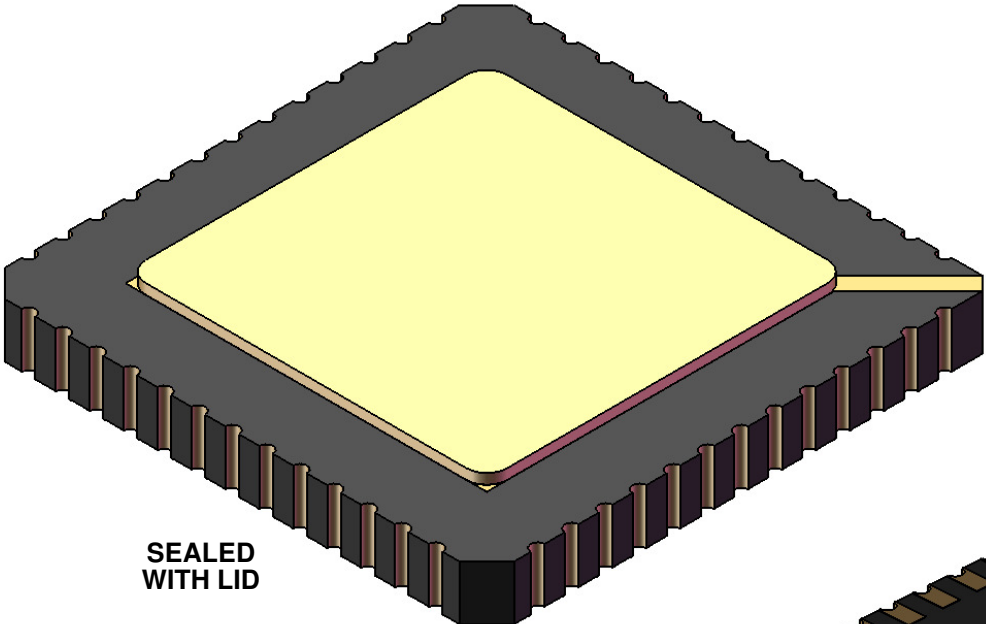
TITLE LCC52B50SQ.75

SCALE 16:1	SIZE A	DRAWING NO. 145200	REV A
---------------	-----------	-----------------------	----------

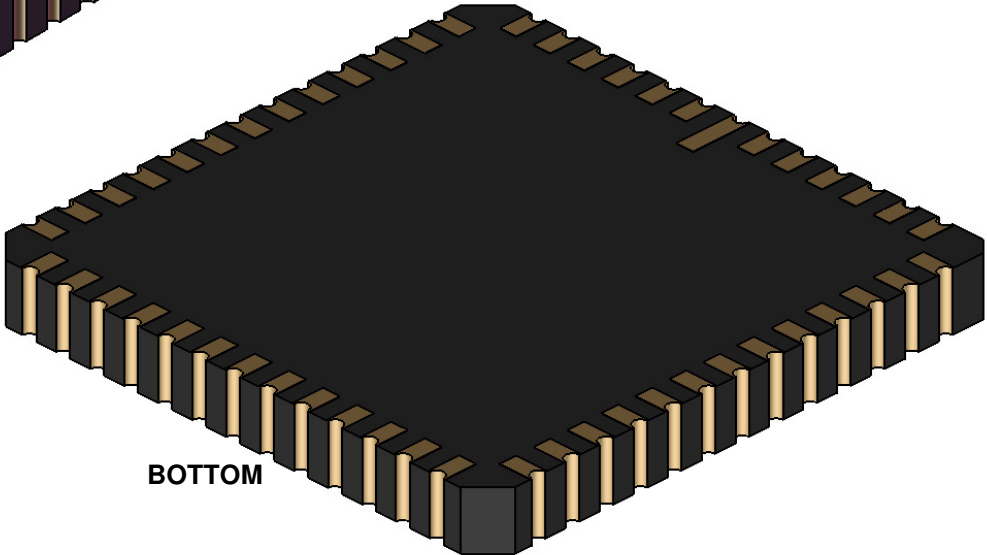
DO NOT SCALE DRAWING

SHEET 2 OF 3

**MODELS**



**SEALED  
WITH LID**



**BOTTOM**

<b>TopLine<sup>®</sup></b>			
TITLE		LCC52B50SQ.75	
SCALE	SIZE	DRAWING NO.	REV
4:1	A	145200	A
DO NOT SCALE DRAWING			SHEET 3 OF 3