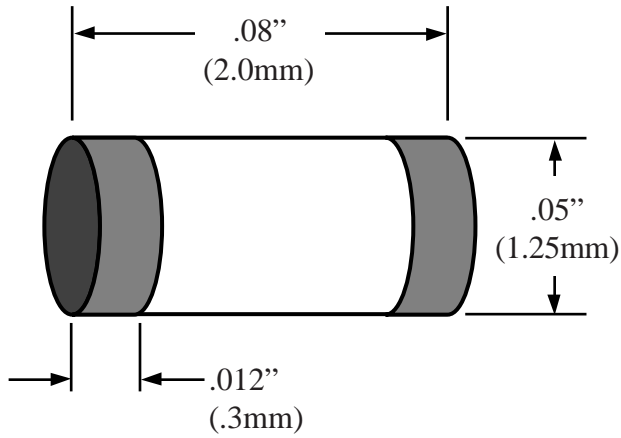


Part # **SRM0805**  
**Micro-MELF Resistor**  
 Body Size **0805**

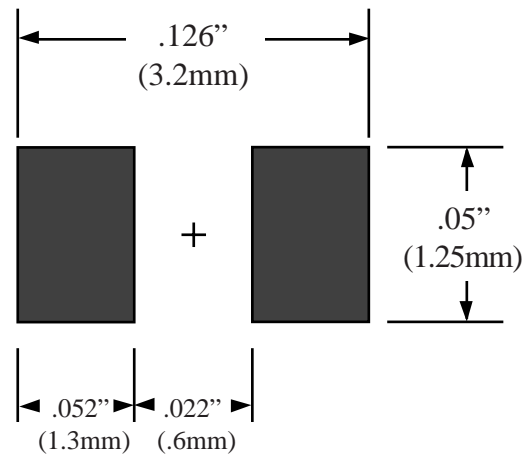
Dwg SRM0805.pdf



Tel 1-714-898-3830  
 info@topline.to

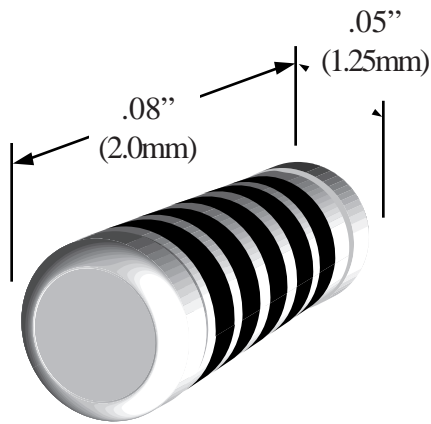


Top View

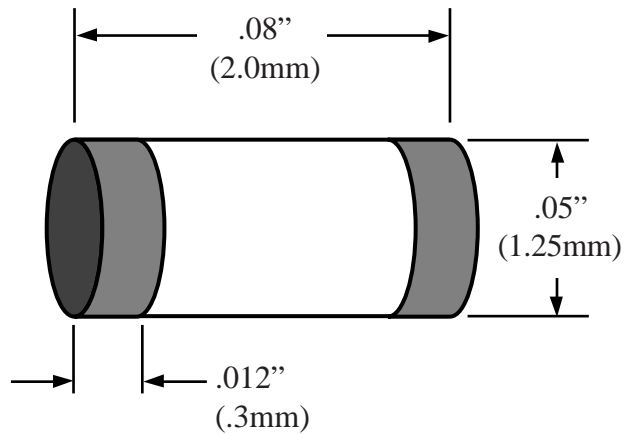


PC Board

Tolerance  $\pm .004''$  ( $\pm .1\text{mm}$ )



Quick View



Side View Detail