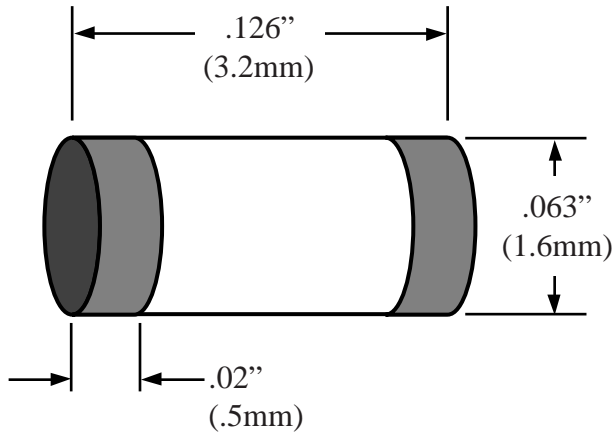


Part # **SRM1206**
mini-MELF Resistor
 Body Size **1206**

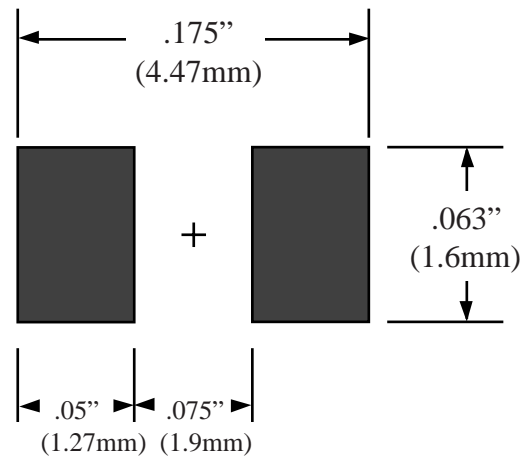
Dwg SRM1206.pdf



Tel 1-714-898-3830
 info@topline.to

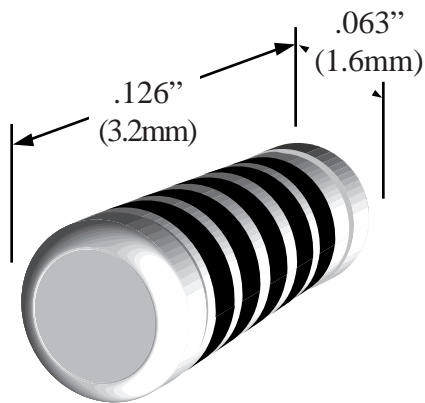


Top View

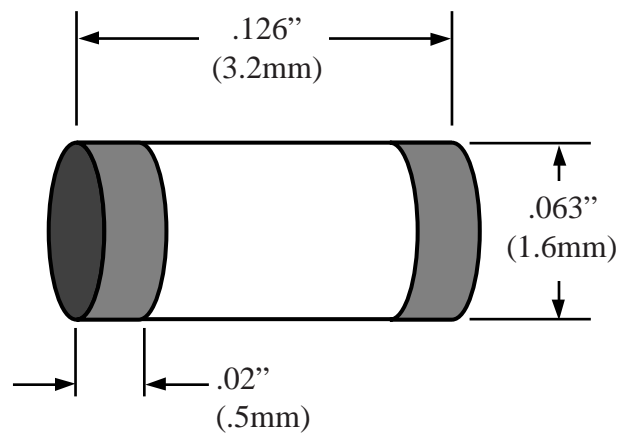


PC Board

Tolerance $\pm .008''$ ($\pm 0.2\text{mm}$)



Quick View



Side View Detail