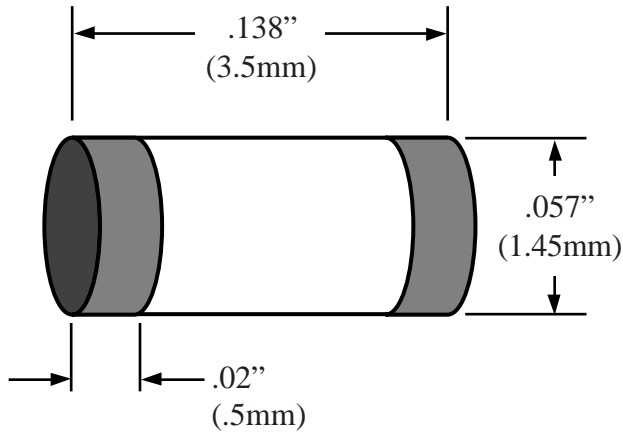
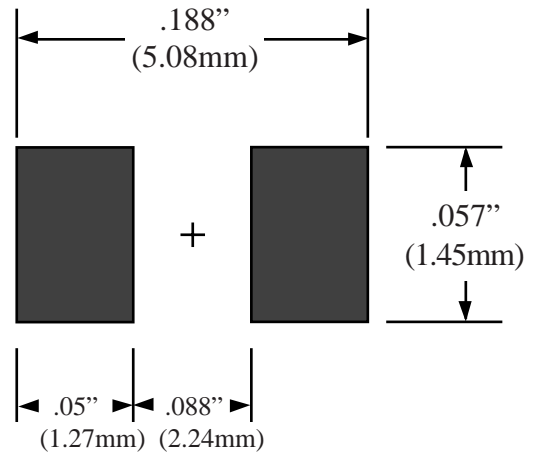


Part # **SRM1406**
mini-MELF Resistor
 Body Size **1406**
 Dwg SRM1406.pdf

TopLine™
 Tel 1-714-898-3830
 info@topline.to

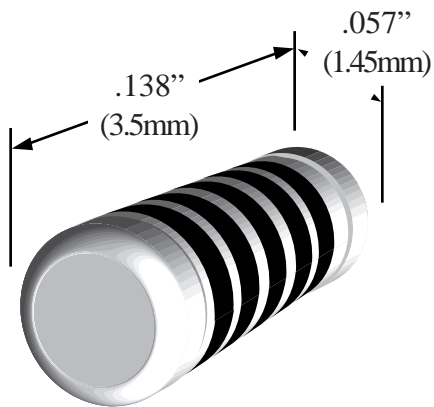


Top View

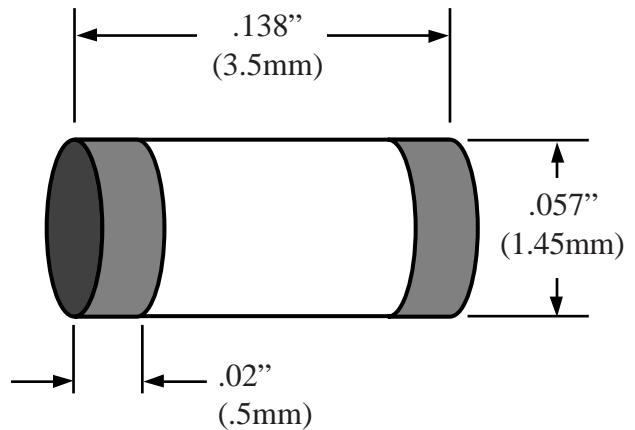


PC Board

Tolerance $\pm .008''$ ($\pm 0.2\text{mm}$)



Quick View



Side View Detail