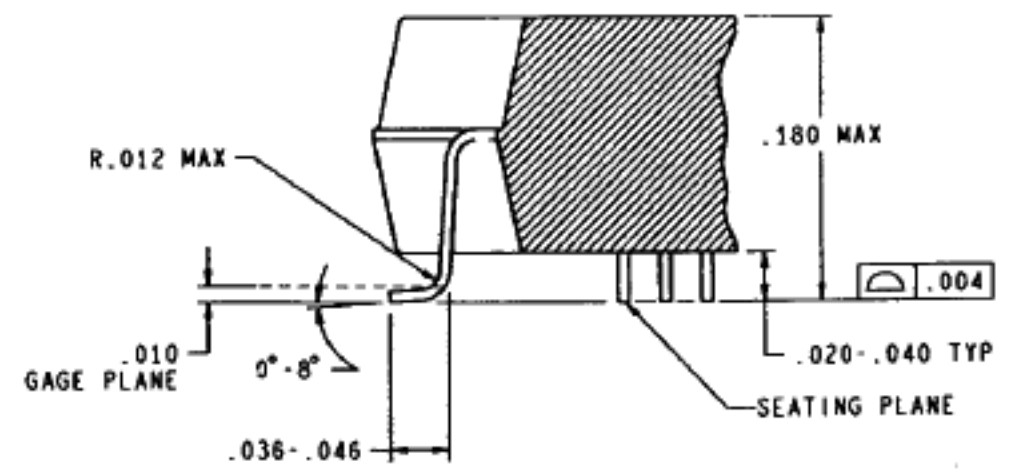
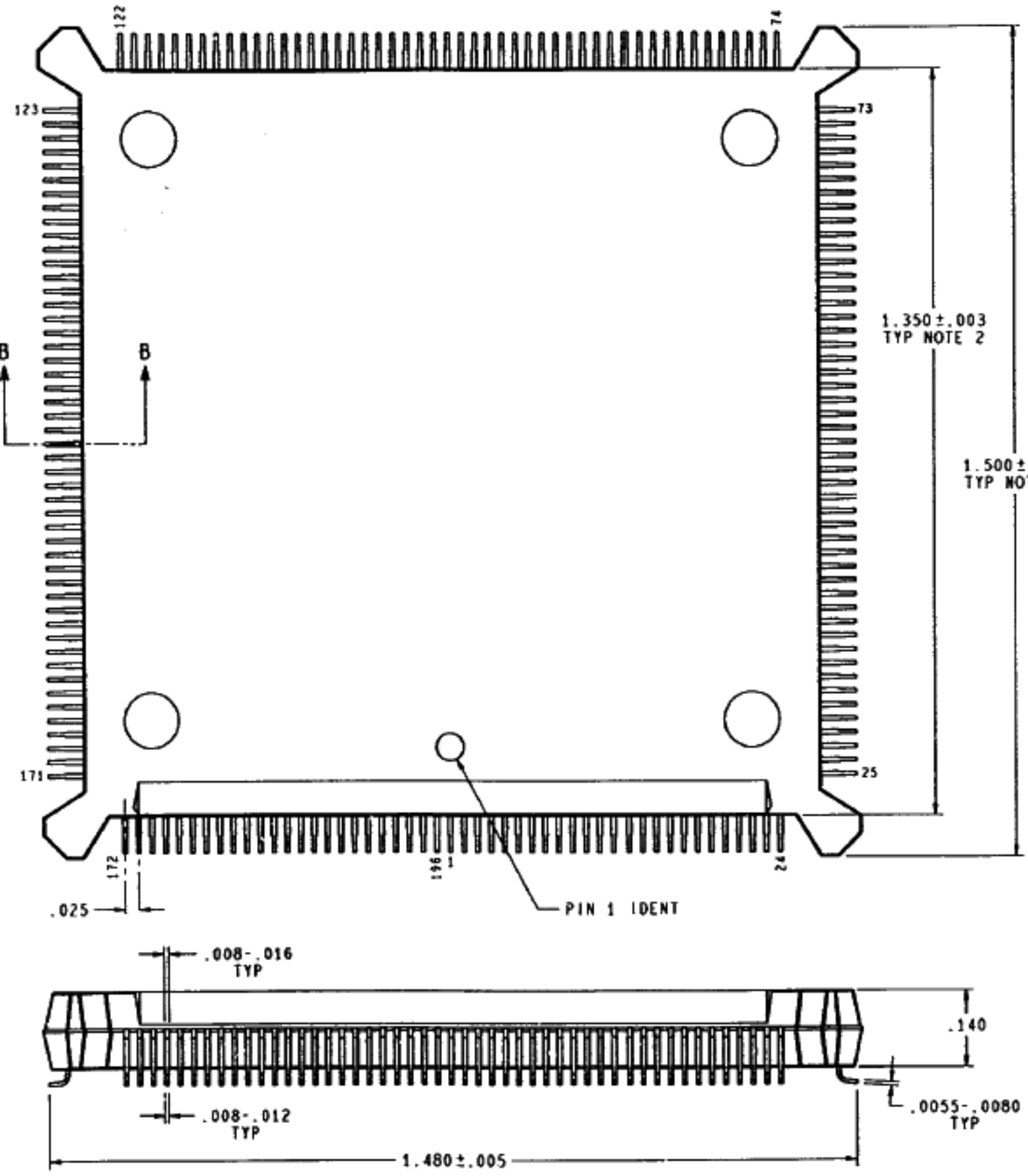


LTR	DESCRIPTION	E.C.N.	DATE	BY/APP'D
C	REVISE AND REDRAW ALL IN INCH DIMS.	11103	09/01/95	DEG/HJ



SECTION B-B  
SCALE: 12X

NOTES: UNLESS OTHERWISE SPECIFIED

DIMENSIONS ARE IN INCHES