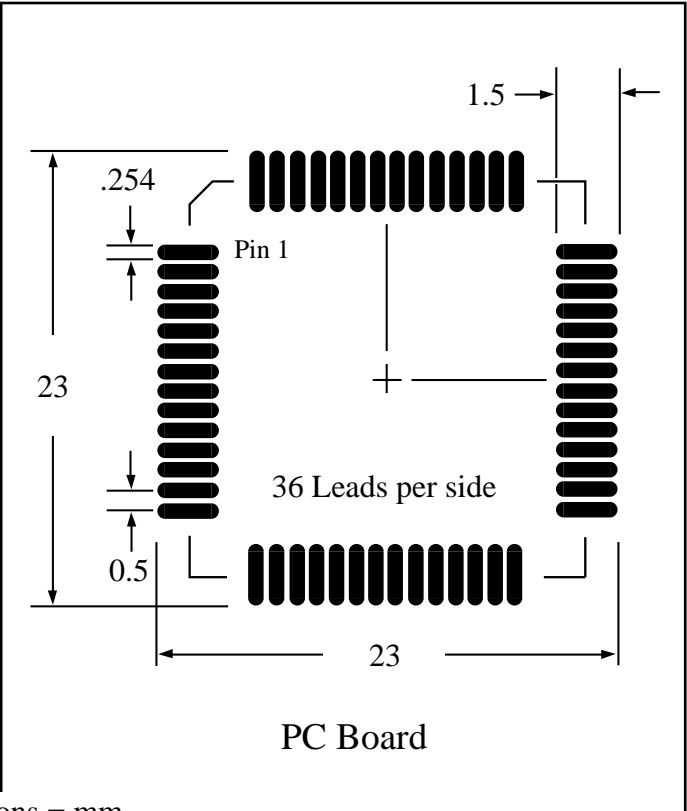
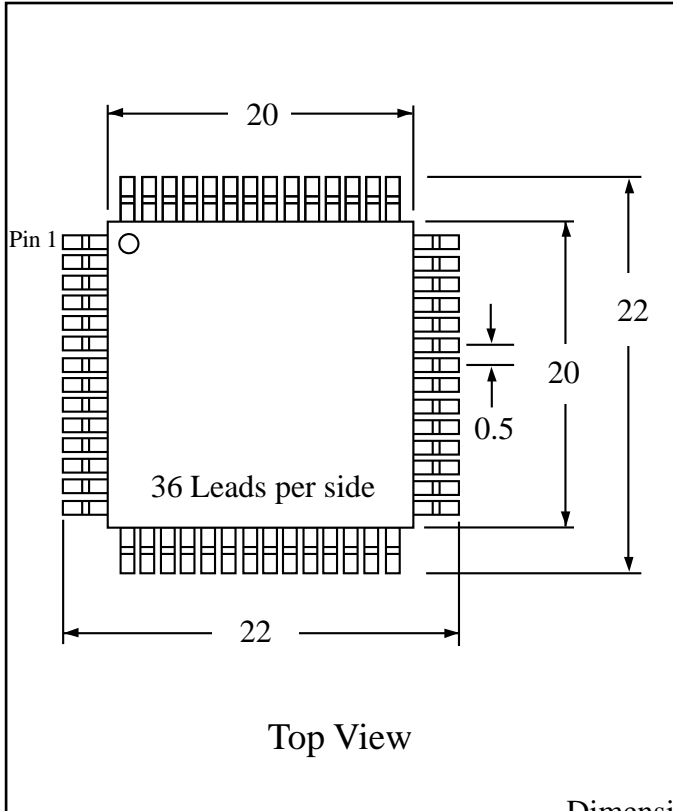


Part # **TQFP144T19.7**
 Leads **144** Pitch **0.5mm**
 Body Size **20mm SQ**

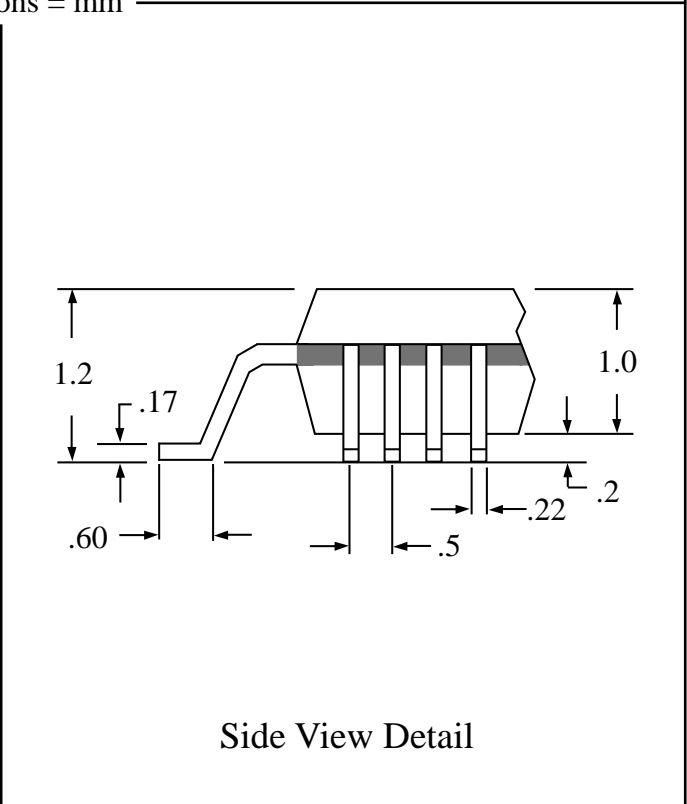
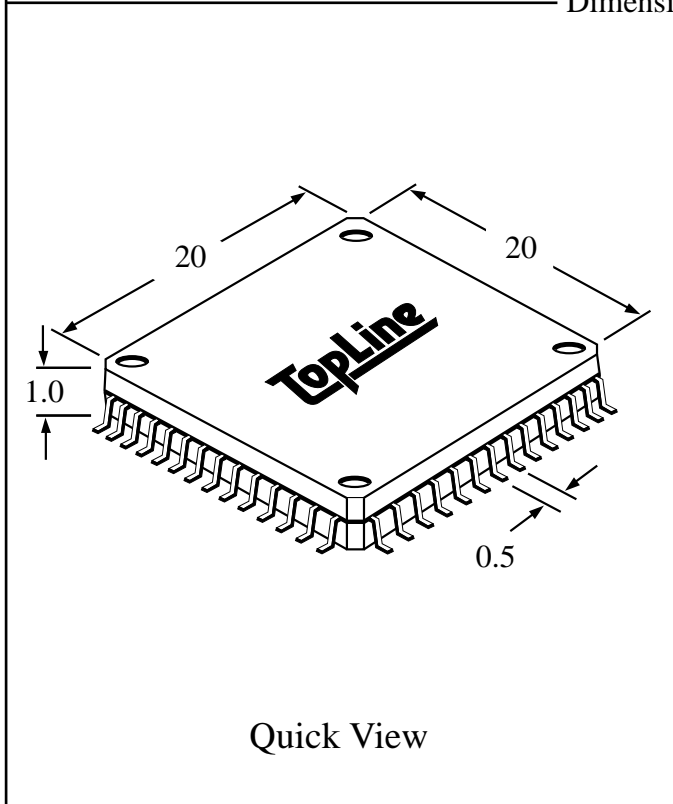
Available RoHS Pb-Free

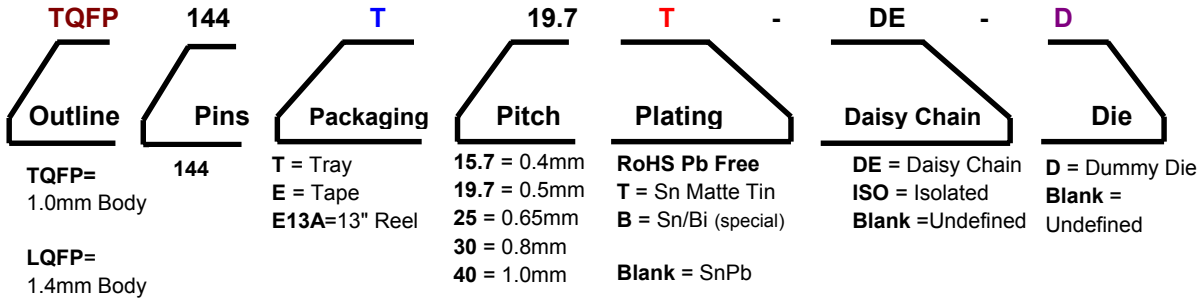
TopLineTM

Tel 1-800-776-9888
 info@topline.tv



Dimensions = mm





Ordering Steps:

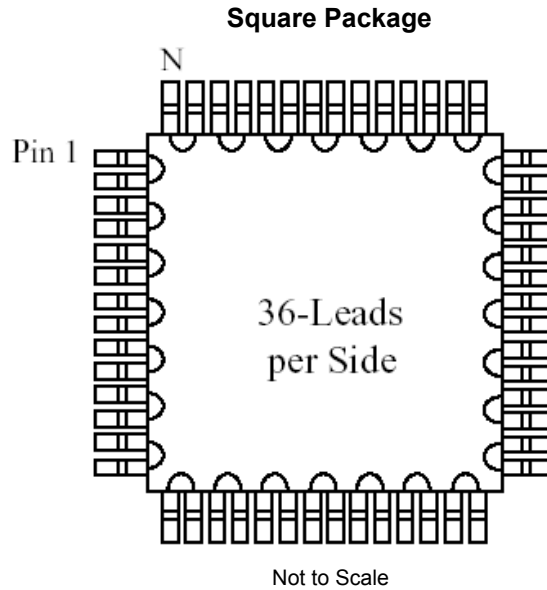
- Step 1: Select outline body thickness TQFP (1.0mm) or LQFP (1.4mm).
- Step 2: Choose packaging. Tray is standard. Tape and Reel is available.
- Step 3: Select plating requirements. RoHS Pb-Free or SnPb
- Step 4: Select options according to your application. See chart below.

Part Number Packaged in Tray (Standard)	Options				Applications					
	Plating	Daisy Chain	Dummy Die	Isolated Pins	Mounting Practice	Rework Solder Practice	Reflow Temperature Profiling	Continuity Test	Life Cycle Test	S.I.R. Test
TQFP144T19.7	SnPb	No	No	No	x	x				
TQFP144T19.7T	Pb-Free	No	No	No	x	x				
TQFP144T19.7-DE-D	SnPb	Yes	Yes	No	x	x	x	x	x	
TQFP144T19.7T-DE-D	Pb-Free	Yes	Yes	No	x	x	x	x	x	
TQFP144T19.7-ISO	SnPb	No	No	Yes	x	x	x			x
TQFP144T19.7T-ISO	Pb-Free	No	No	Yes	x	x	x			x

Part Number Packaged in Tape and Reel	Options				Applications					
	Plating	Daisy Chain	Dummy Die	Isolated Pins	Mounting Practice	Rework Solder Practice	Reflow Temperature Profiling	Continuity Test	Life Cycle Test	S.I.R. Test
TQFP144E13A19.7	SnPb	No	No	No	x	x				
TQFP144E13A19.7T	Pb-Free	No	No	No	x	x				
TQFP144E13A19.7-DE-D	SnPb	Yes	Yes	No	x	x	x	x	x	
TQFP144E13A19.7T-DE-D	Pb-Free	Yes	Yes	No	x	x	x	x	x	
TQFP144E13A19.7-ISO	SnPb	No	No	Yes	x	x	x			x
TQFP144E13A19.7T-ISO	Pb-Free	No	No	Yes	x	x	x			x

Visit www.TopLine.tv or email info@TopLine.tv for applications assistance.

Daisy Chain TQFP144, LQFP144 and QFP144



Daisy Chain Net List TQFP144, LQFP144 and QFP144

Net List		Net List		Net List		Net List	
From Pin	To Pin	From Pin	To Pin	From Pin	To Pin	From Pin	To Pin
1	2	37	38	73	74	109	110
3	4	39	40	75	76	111	112
5	6	41	42	77	78	113	114
7	8	43	44	79	80	115	116
9	10	45	46	81	82	117	118
11	12	47	48	83	84	119	120
13	14	49	50	85	86	121	122
15	16	51	52	87	88	123	124
17	18	53	54	89	90	125	126
19	20	55	56	91	92	127	128
21	22	57	58	93	94	129	130
23	24	59	60	95	96	131	132
25	26	61	62	97	98	133	134
27	28	63	64	99	100	135	136
29	30	65	66	101	102	137	138
31	32	67	68	103	104	139	140
33	34	69	70	105	106	141	142
35	36	71	72	107	108	143	144

Visit www.TopLine.tv or email info@TopLine.tv for applications assistance.