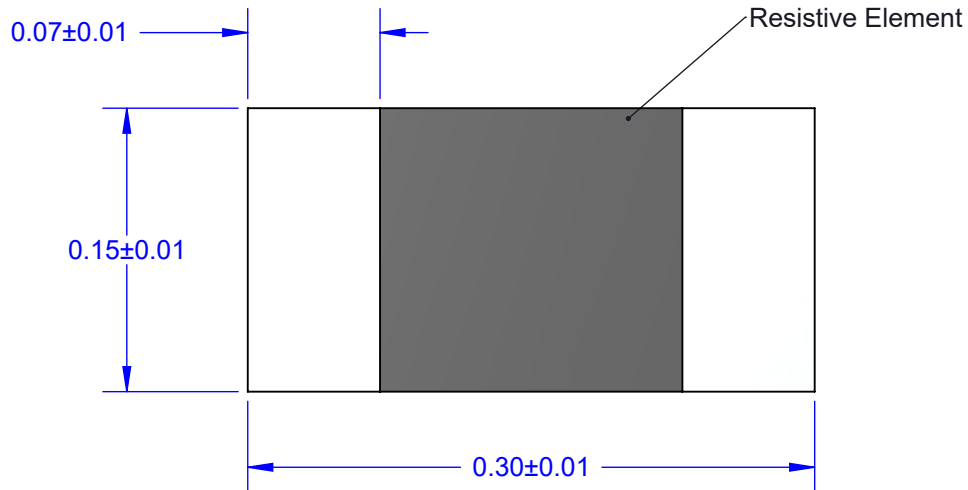
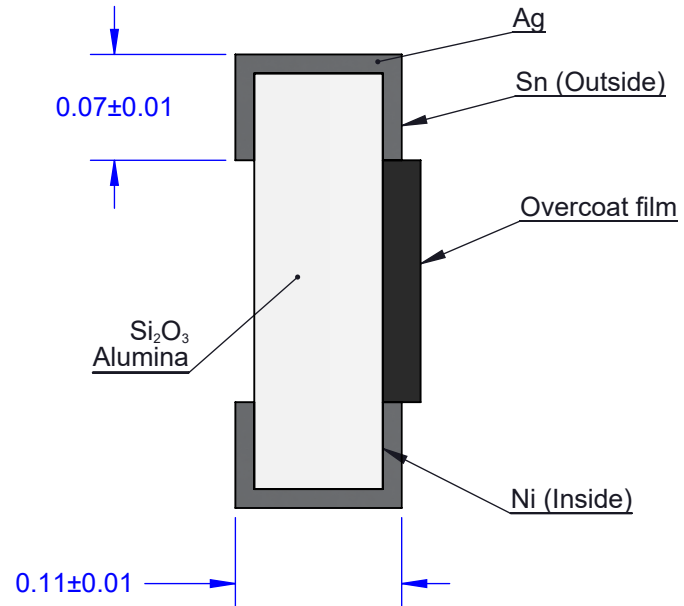


TOP VIEW

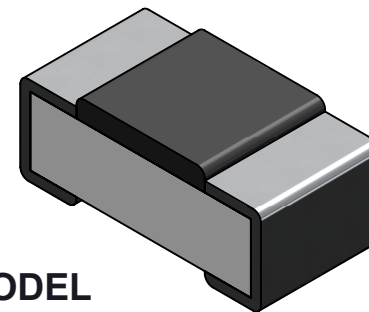
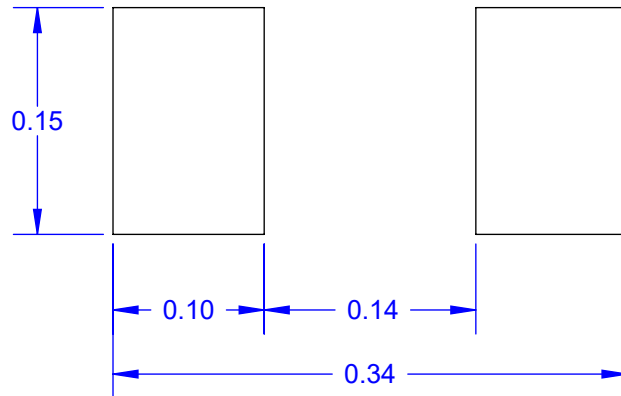


STRUCTURE



- NOTES:
1. DIMENSIONS IN mm.
 2. TERMINATION: Tin (Sn).
 3. Pb-FREE AND HALOGEN FREE.

RECOMMENDED PCB PATTERN

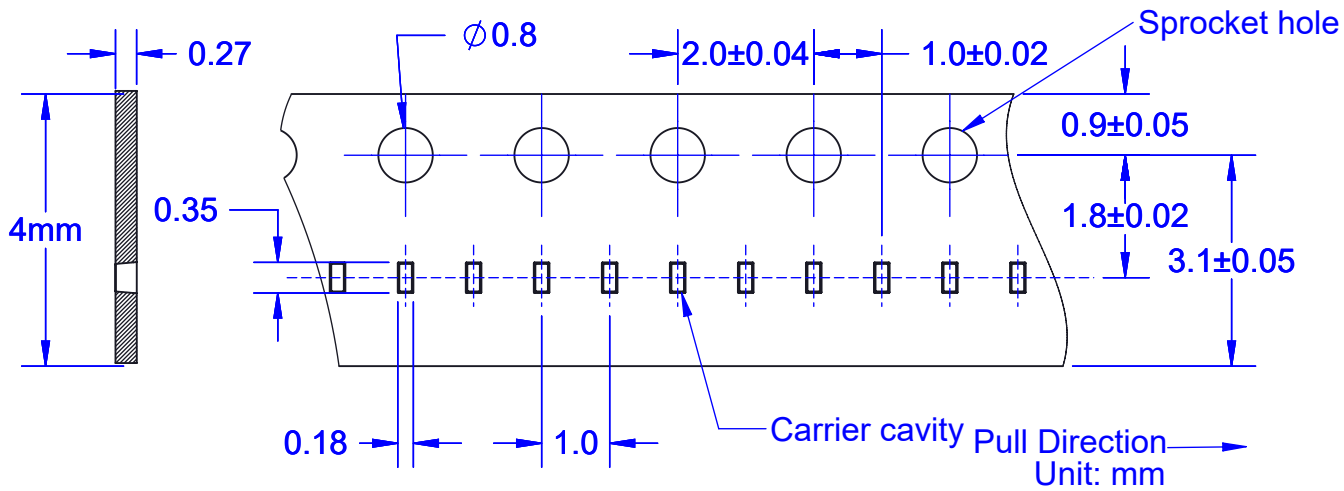


MODEL

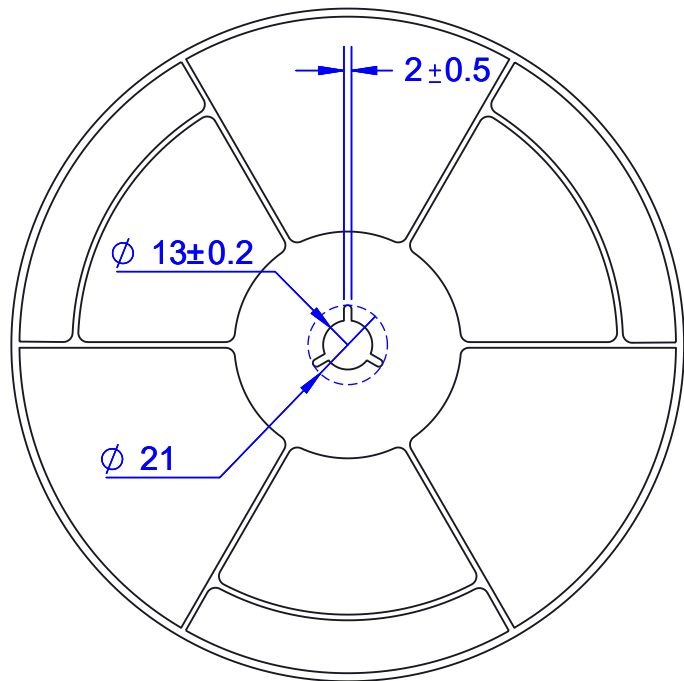
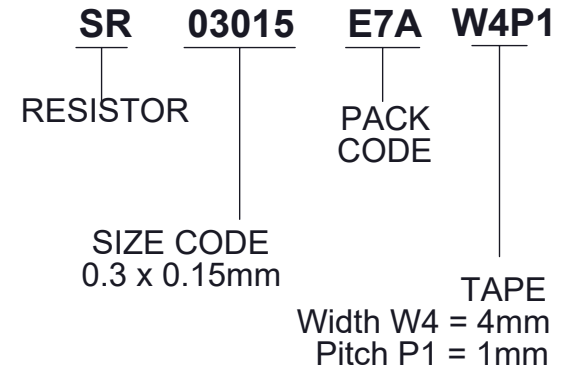
PCB DIMENSIONS ARE REPRESENTED ONLY AS A GUIDELINE. DESIGNERS SHOULD USE THEIR OWN KNOWLEDGES BASE WHEN DESIGNING THE PCB.

APPROVALS	DATE	TopLine®			
DRAWN T. Au	02/19/16				
ENG M. Hart	02/19/16	TITLE SR03015			
MFG		SMT RESISTOR			
QA		SCALE	SIZE	DRAWING NO.	REV
CUST		250:1	A	120301	A
REVISED		DO NOT SCALE DRAWING			SHEET 1 OF 2

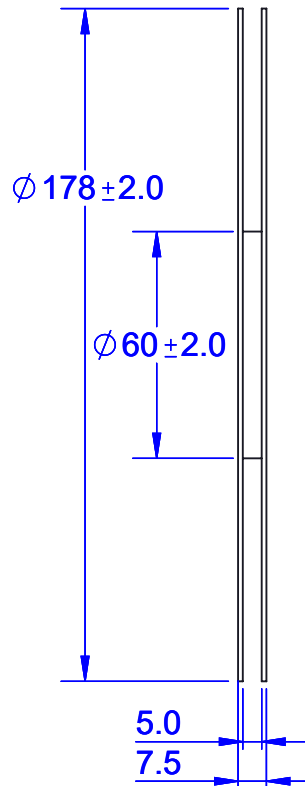
W4P1 CARRIER TAPE DIMENSION



W4P1 TAPE PART NUMBER SYSTEM



REEL DIMENSIONS



PACK CODE		
CODE	QTY	PACKAGE
E7A	40,000	REEL
E7B	20,000	REEL
E7C	10,000	REEL
E7D	5,000	REEL
E7F	1,000	REEL

APPROVALS	DATE	TopLine®			
DRAWN T. Au	08/03/12	TITLE SR03015 SMT RESISTOR			
ENG M. Hart	08/03/12				
MFG		SCALE	SIZE A	DRAWING NO. 120301	REV A
QA					
CUST					
REVISED		DO NOT SCALE DRAWING			SHEET 1 OF 2