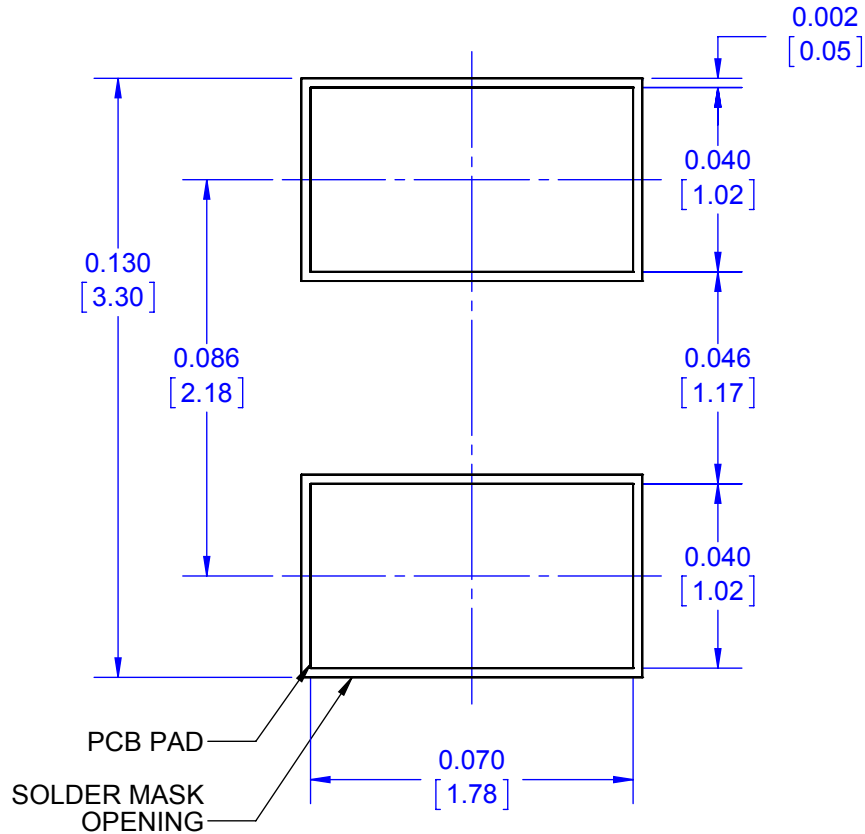
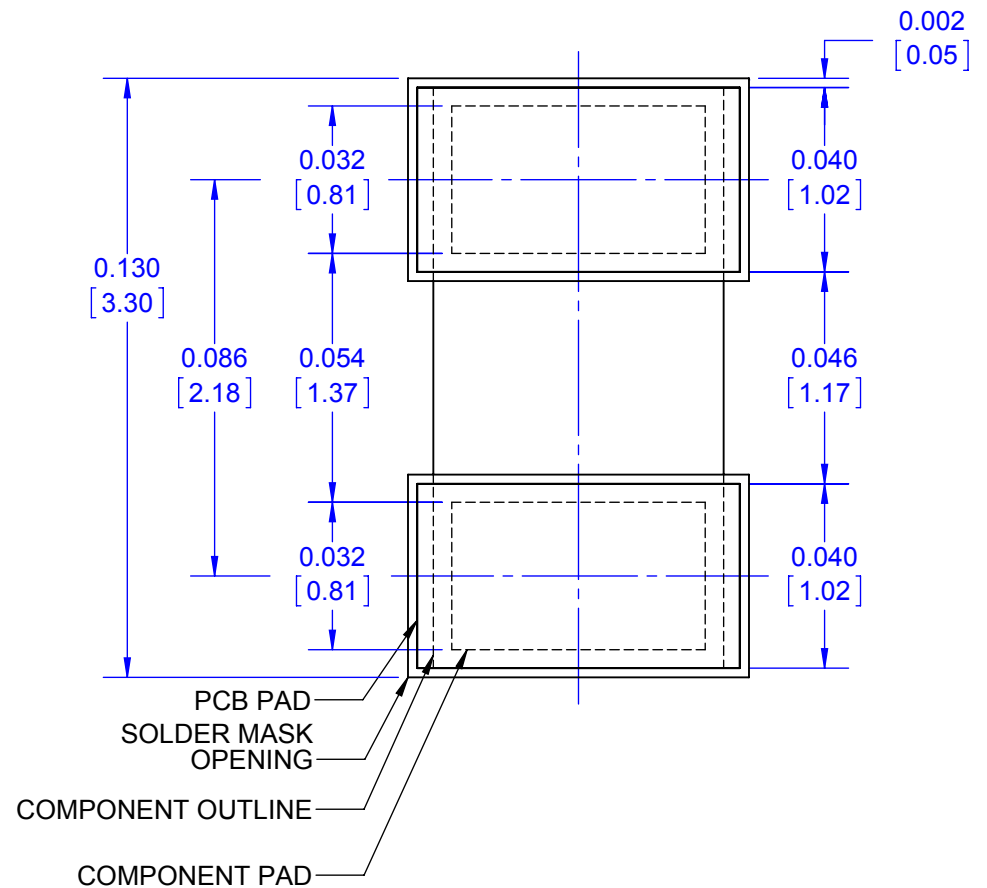


# PREFERRED PCB BOARD RECTANGLE PADS

## RECOMMENDED PCB BOARD



## COMPONENT AFTER MOUNTING ON PCB BOARD



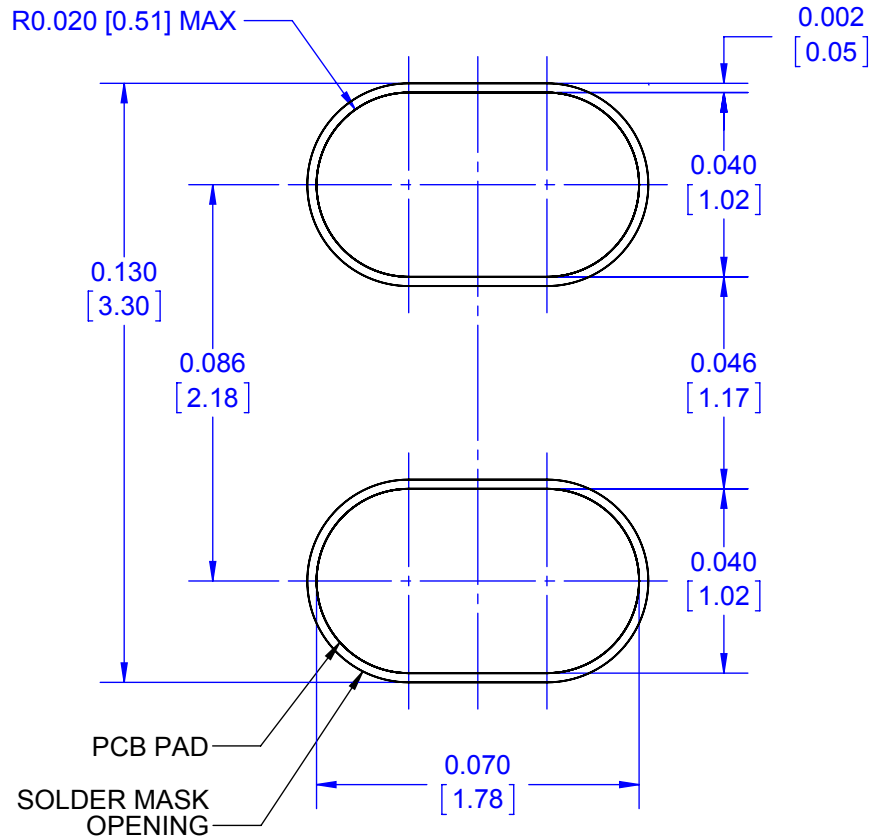
NOTES: (Unless Otherwise Specified).

- 1) DIMENSION INCH [mm].
- 2) PCB BOARD DIMENSIONS ARE PRESENTED ONLY AS A GUIDELINE. DESIGNERS SHOULD USE THEIR OWN EXPERIENCE WHEN DESIGNING PCB.
- 3) SOLDER MASK OPENING IS 0.002~0.003 INCH [0.050~0.076mm] LARGER THAN PAD TYPICAL

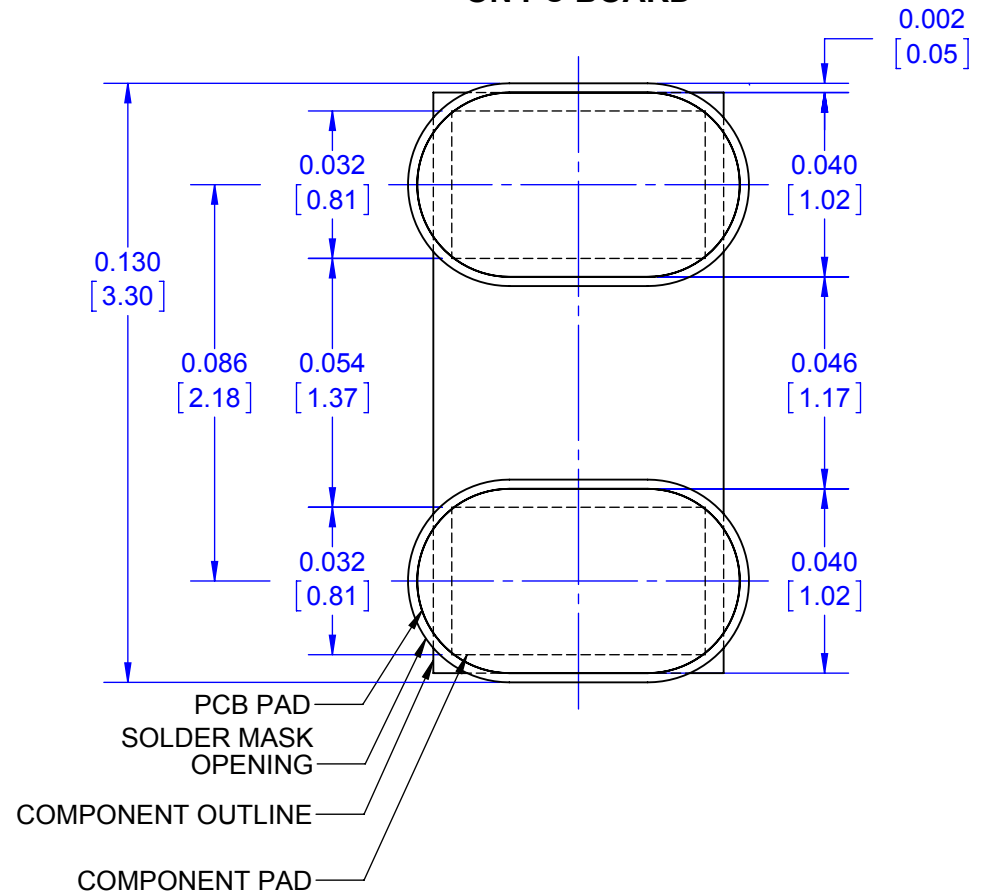
APPROVALS	DATE	<b>TopLine®</b>			
DRAWN T. Au	10/03/14				
ENG M. Hart	10/03/14	TITLE RECOMMENDED PCB PAD SSL1206 SPACER			
MFG		SCALE	SIZE	DRAWING NO.	REV
QA		24:1	A	120614	A
CUST		DO NOT SCALE DRAWING			SHEET 1 OF 2
REVISED					

# ALTERNATE PCB BOARD CORNER RADIUS

## RECOMMENDED PC BOARD



## COMPONENT AFTER MOUNTING ON PC BOARD



NOTES: (Unless Otherwise Specified).

- 1) DIMENSION INCH [mm].
- 2) PCB BOARD DIMENSIONS ARE PRESENTED ONLY AS A GUIDELINE. DESIGNERS SHOULD USE THEIR OWN EXPERIENCE WHEN DESIGNING PCB.
- 3) SOLDER MASK OPENING IS 0.002~0.003 INCH [0.050~0.076mm] LARGER THAN PAD TYPICAL

**TopLine®**

TITLE RECOMMENDED PCB PAD  
SSL1206 SPACER

SCALE	SIZE	DRAWING NO.	REV
24:1	A	120614	A

DO NOT SCALE DRAWING

SHEET 2 OF 2