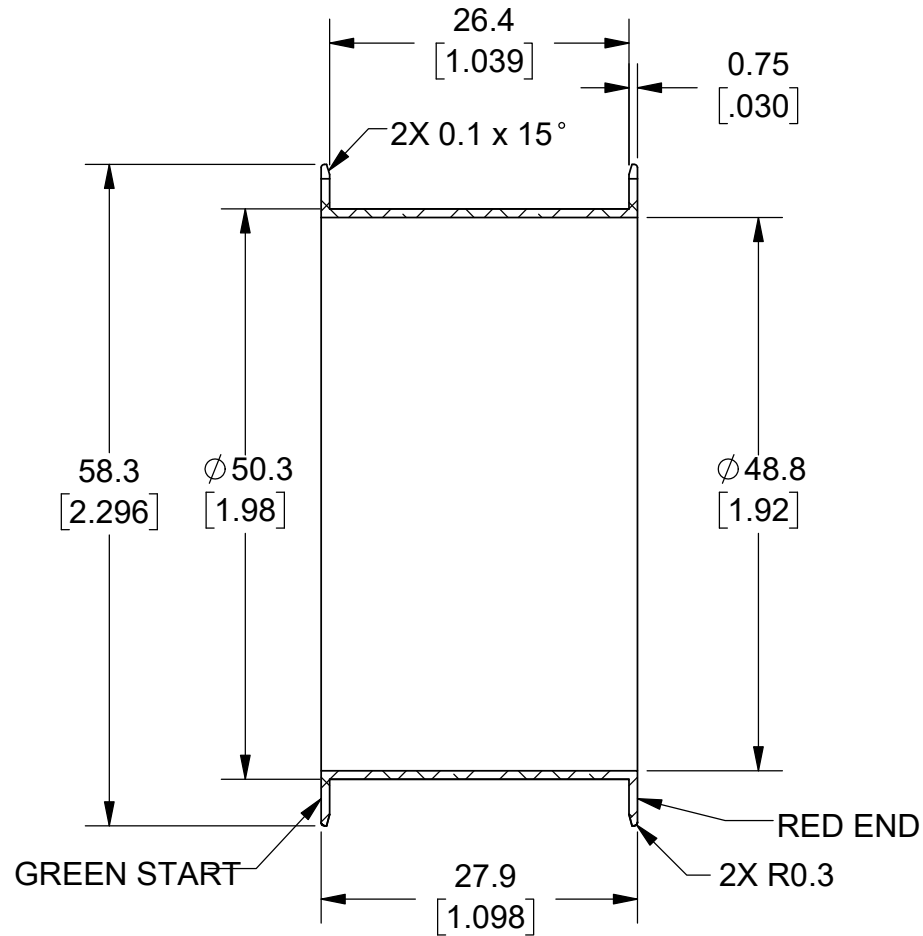
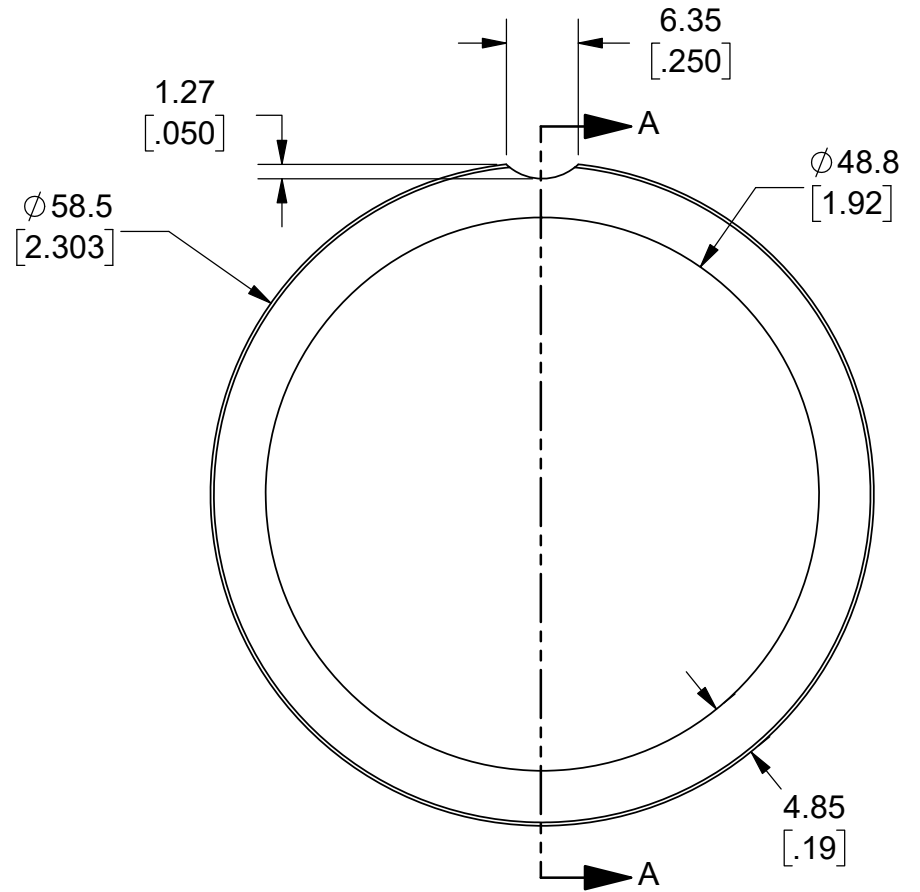


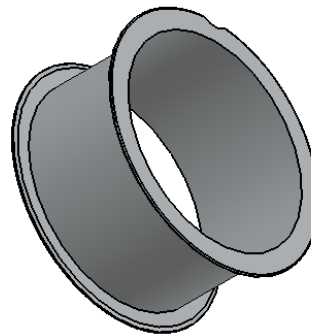
2-INCH SPOOL (1" L)
DOUBLE FLANGE SPOOL



SECTION A-A




MODEL



NOTES: (UNLESS OTHERWISE SPECIFIED).

- 1) DIMENSIONS: MM [INCH].
- 2) MATERIAL: ALUMINUM.
- 3) DEBURR (BREAK ALL EDGES).
- 4) FINISH: MATTE, ANODIZED.
- 5) SPOOL DIMENSIONS PER ASTM F72/H.

APPROVALS		DATE				
DRAWN	J. Hines	12/29/2016				
ENG	M. Hart	12/29/2016	SCALE		1.5:1	REV
MFG			SIZE		A	DRAWING NO.
QA			CUST			400107
REVISED			DO NOT SCALE DRAWING		SHEET 1 OF 1	