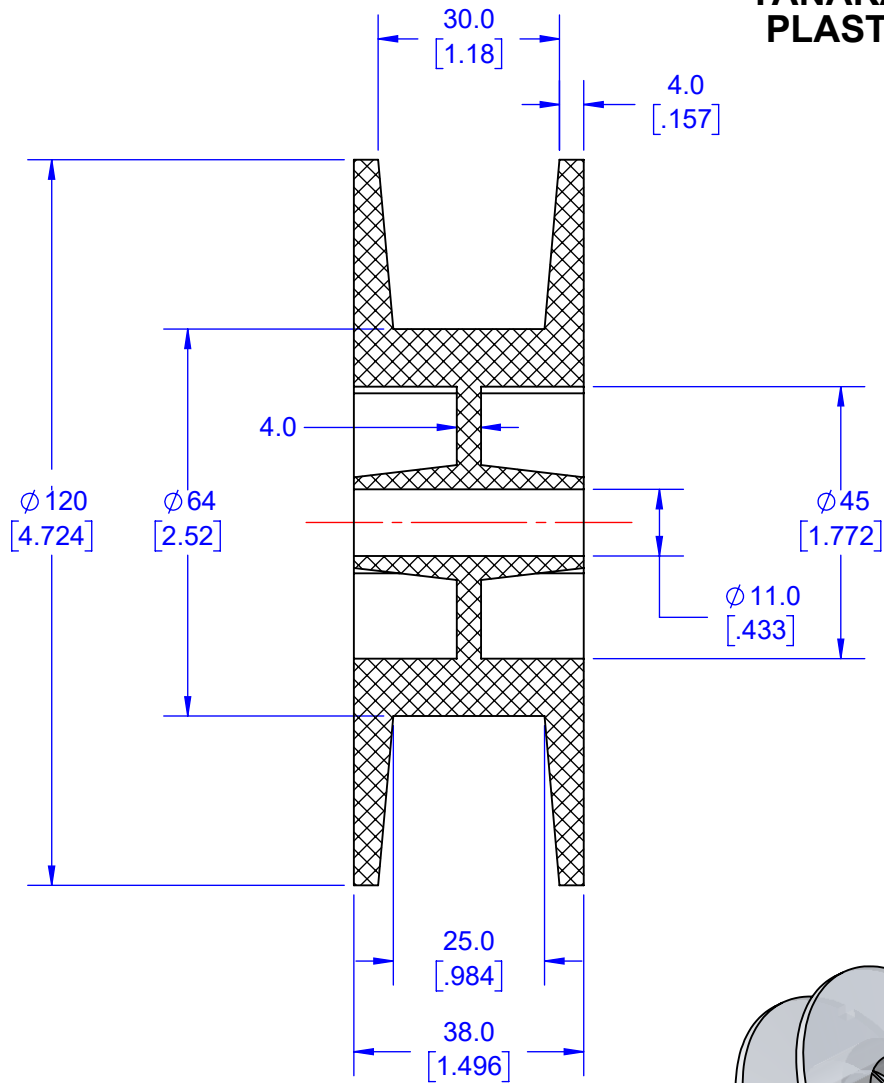
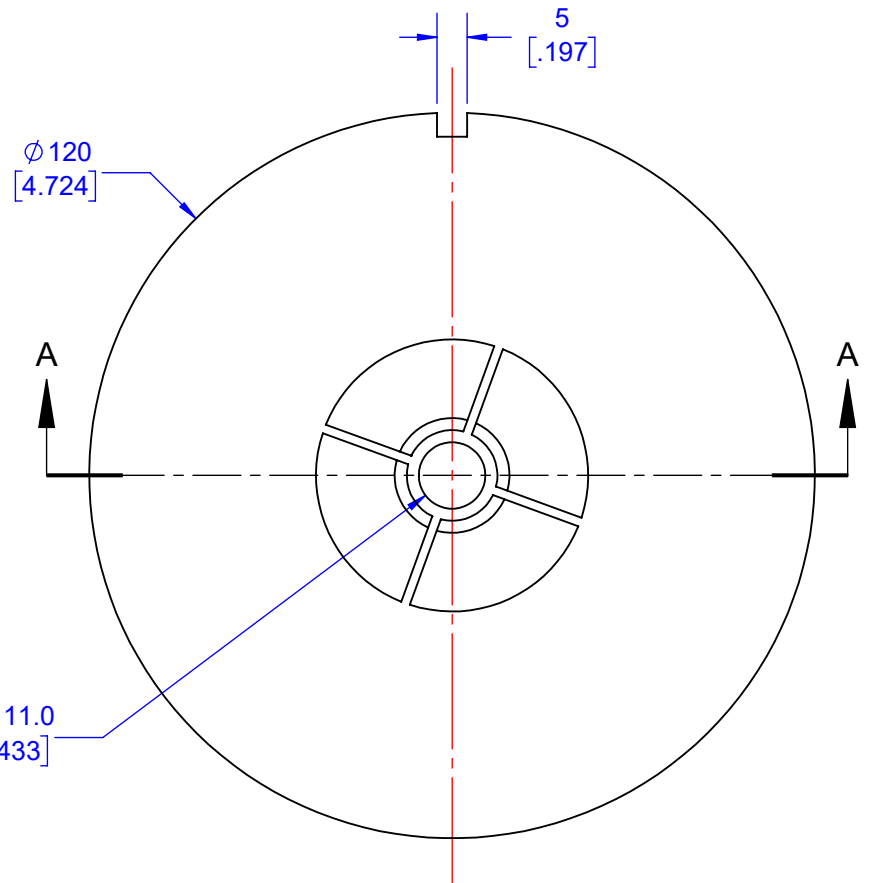


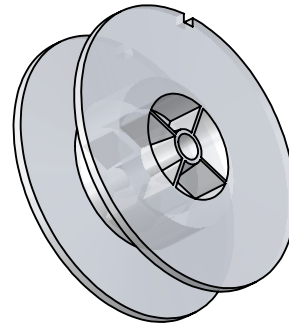
TANAKA NO. 120K PLASTIC SPOOL



SECTION A-A
SCALE 1 : 1.25



MODEL



NOTES: (UNLESS OTHERWISE SPECIFIED).

- 1) DIMENSIONS: MM [INCH].
- 2) MATERIAL: POLYCARBONATE.
- 3) COLOR: CLEAR.

APPROVALS	DATE	TopLine®			
DRAWN T. Au	10/8/2022				
ENG M. Hart	10/8/2022	TITLE TANAKA NO. 120K PLASTIC SPOOL			
MFG		SCALE	SIZE	DRAWING NO.	REV
QA		4:5	A	400126	A
CUST		DO NOT SCALE DRAWING			SHEET 1 OF 1
REVISED					