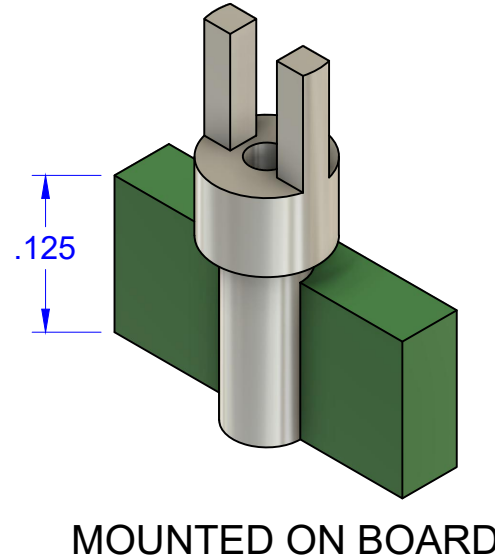
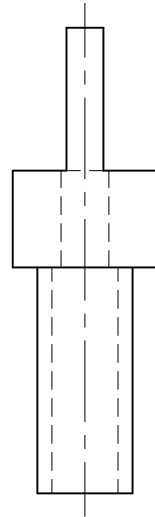
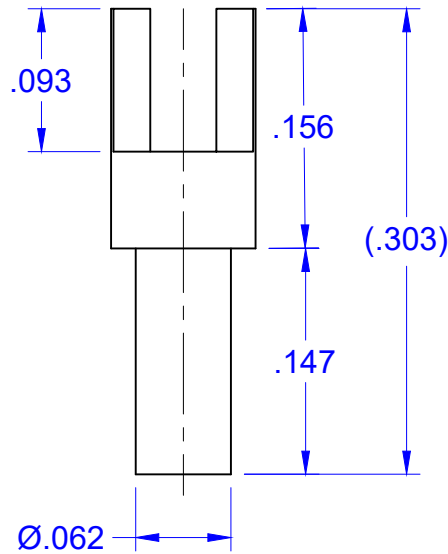
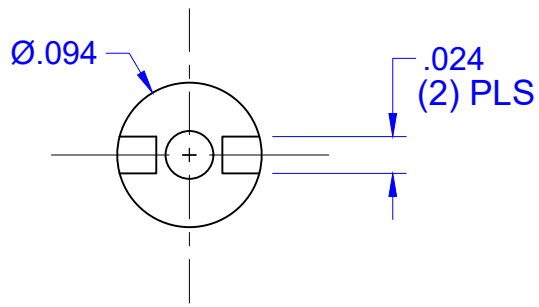
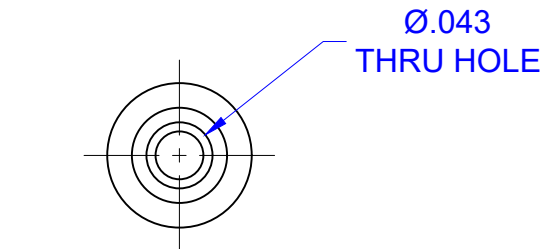
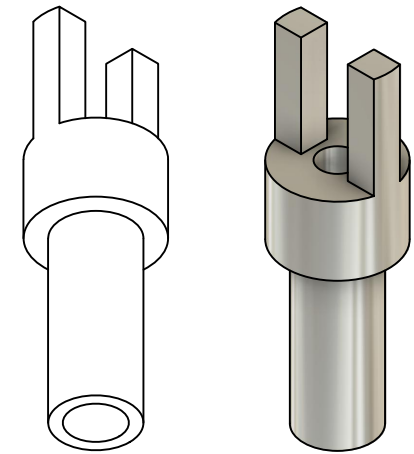


# BIFURCATED TERMINAL A 0.125" THICK BOARD




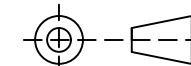
MOUNTED ON BOARD



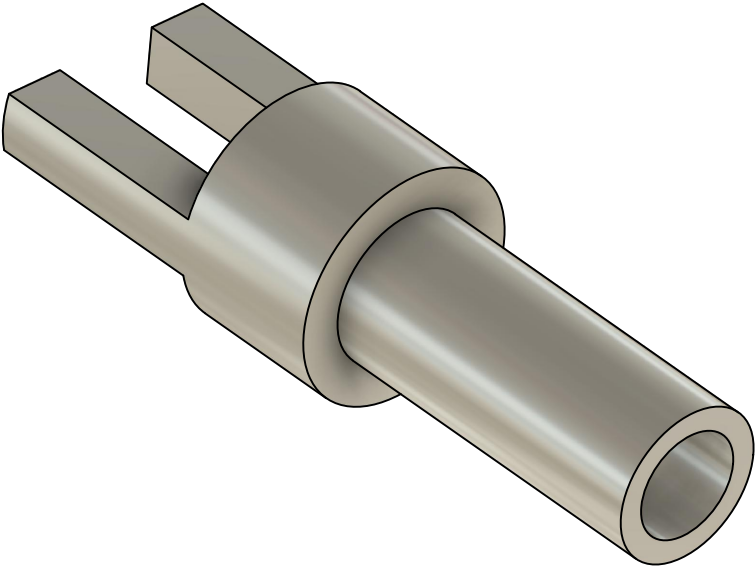
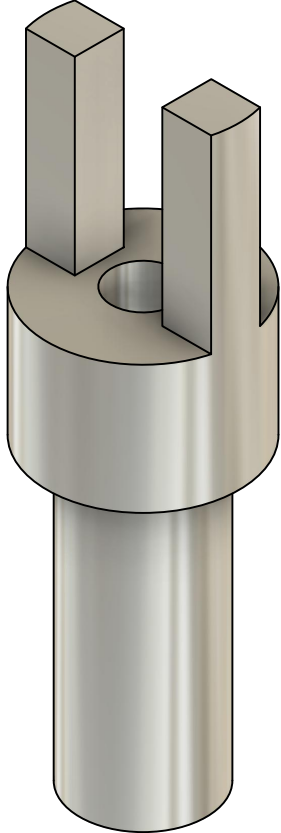
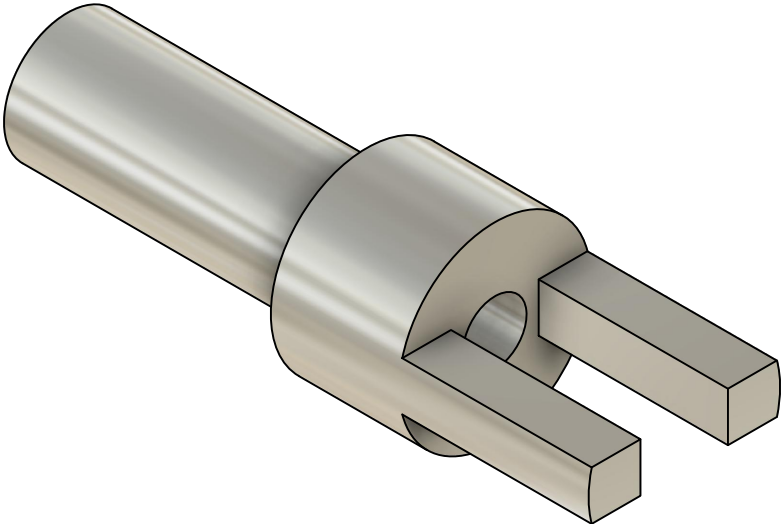
ORDER NUMBER TABLE	
ORDER NUMBER	STANDARD PACKAGE QTY
103000	1
103005	5
103025	25
103100	100
103500	500
103999	1000

NOTES: (UNLESS OTHERWISE SPECIFIED)

1. DIMENSION INCH [mm]
2. MATERIAL: BRASS ASTM-B16
3. PLATING: ELECTRO-TIN PER MIL-T-10727 Type 1

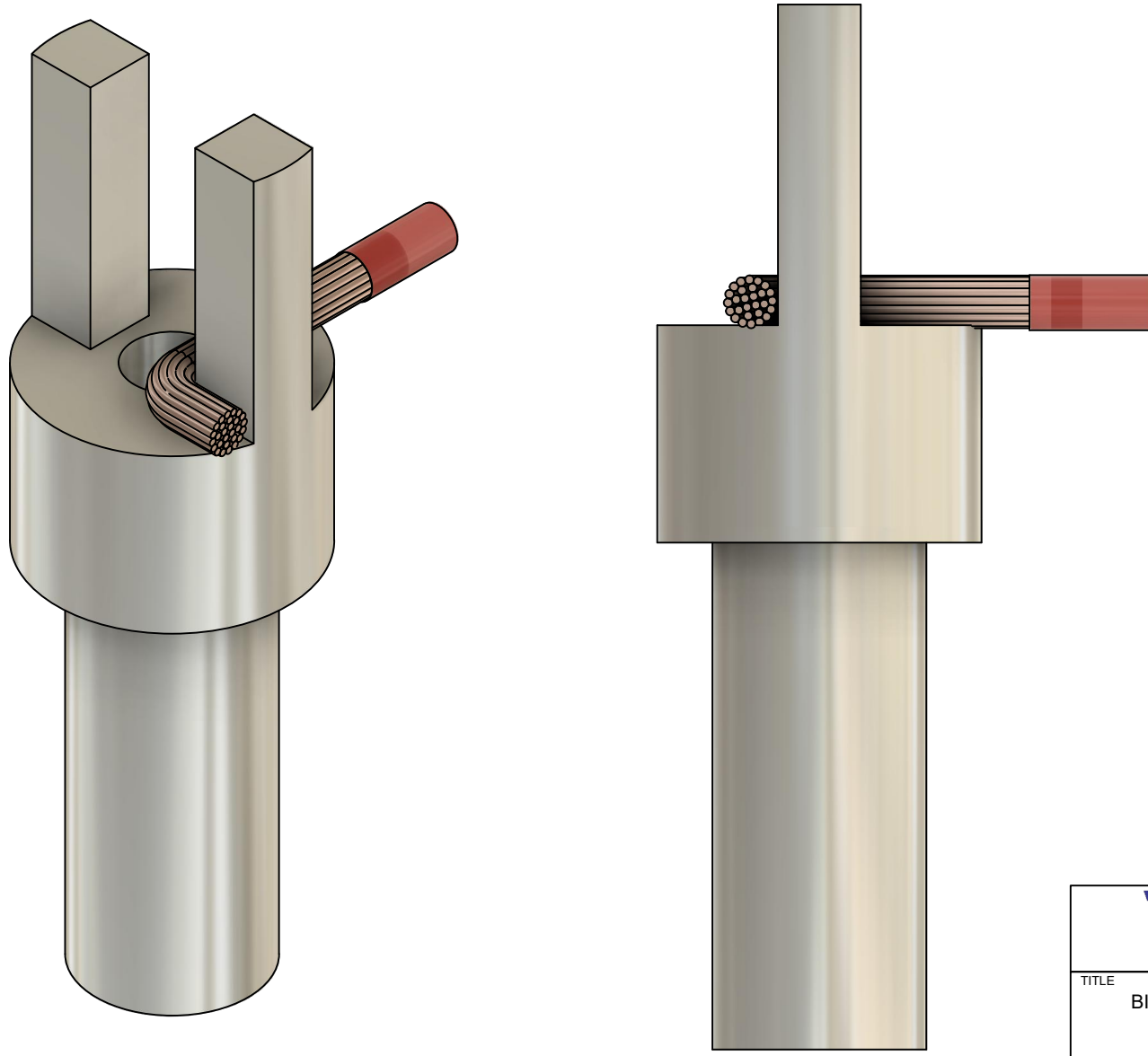
APPROVAL	DATE				
DRAWN W. Pegues	4/20/2023				
ENG					
MFG					
QA					
CUST					
REVISED J. Dietrich	6/21/2023	TITLE			
		BIFURCATED TERMINAL A 103XXX SERIES			
THIRD ANGLE PROJECTION		SCALE	SIZE	DWG NO	REV
		8:1	A	103000	A
DO NOT SCALE				SHEET 1 OF 3	

# MODELS BIFURCATED TERMINAL A



<b>TopLine</b> <sup>®</sup>			
TITLE BIFURCATED TERMINAL A 103XXX SERIES			
SCALE 15:1	SIZE A	DWG NO 103000	REV A
DO NOT SCALE			SHEET 2 OF 3

# EXAMPLE WORKMANSHIP BIFURCATED TERMINAL A



<b>TopLine<sup>®</sup></b>			
TITLE			
BIFURCATED TERMINAL A 103XXX SERIES			
SCALE	SIZE	DWG NO	REV
20:1	A	103000	A
DO NOT SCALE			SHEET 3 OF 3