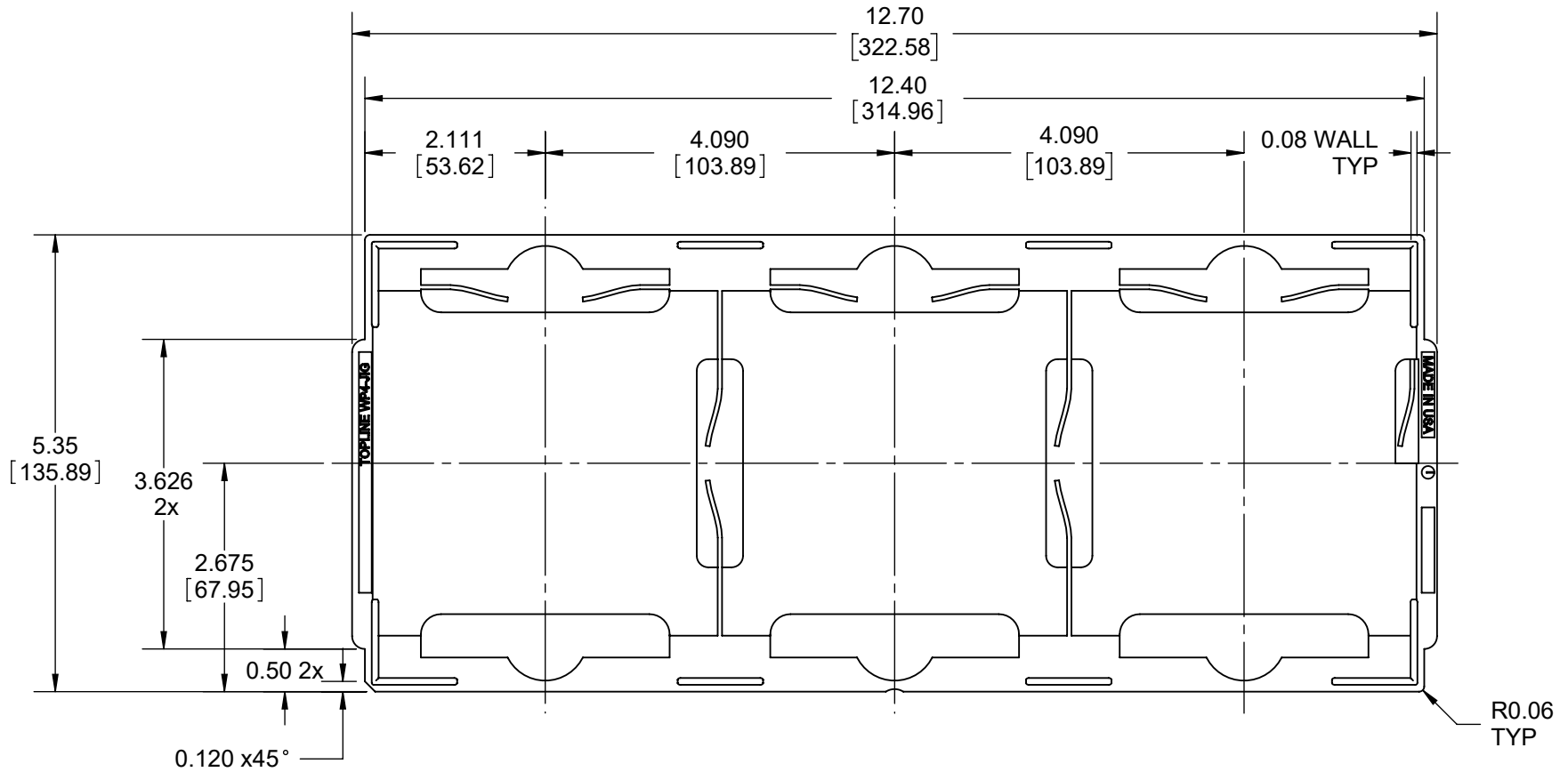


TOP VIEW

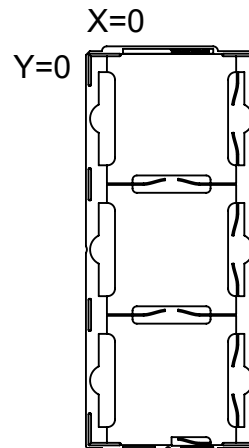
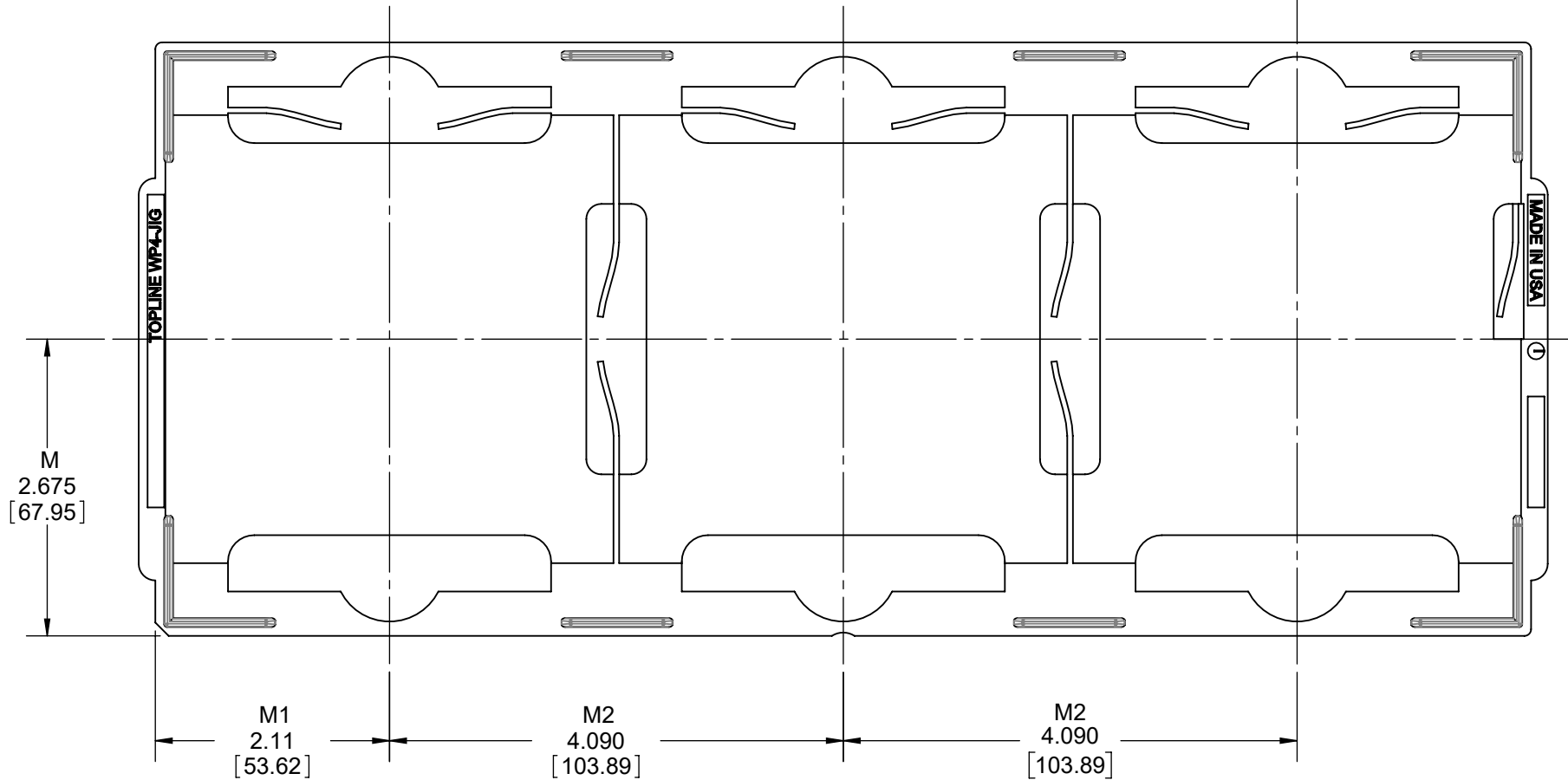


NOTES:

1. DIMENSIONS IN INCHES [mm].
2. JEDEC OUTLINE.
3. TEMPERATURE RATING 180°C MAX.
4. JIG TRAY MATERIAL: PES (Polyethersulfone).
5. SURFACE RESISTIVITY $10^5 \Omega$ (NOMINAL).
6. ESD SAFE: STATIC DISSIPATIVE.
7. COLOR: BLACK.
8. POCKETS: HOLDS 3 WAFFLE PACKS.
9. WAFFLE PACK SIZE: 4.0" x 4.0" x 0.315".

APPROVALS	DATE	TopLine®			
DRAWN T.Au	04/09/2018				
ENG M. Hart	04/09/2018	TITLE WP4-JIGTRAY-E JEDEC OUTLINE CARRIER			
MFG		SCALE	SIZE	DRAWING NO.	REV
QA		1:2	A	780440	A
CUST		DO NOT SCALE DRAWING			SHEET 1 OF 7
REVISED					

JEDEC PICK AND PLACE X / Y COORDINATES



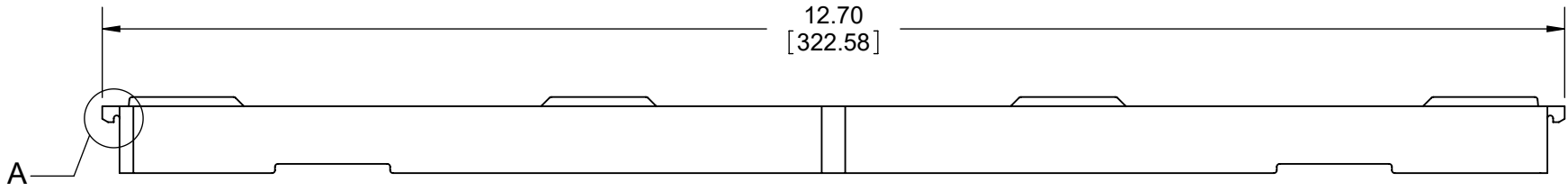
Unit	Pockets N3	Columns N1	Rows N2	Row 1 M	Col 1 M1	Col 2 M2
Inch	3.1	3	1	2.675	2.111	4.090
mm	3.1	3	1	67.95	53.62	103.89

NOTES:
 JEDEC X-Y ORIENTATION ROTATED 90°.
 M FIRST STEP IN X DIRECTION.
 M1 FIRST STEP IN Y DIRECTION.
 M2 Y-AXIS STEP.

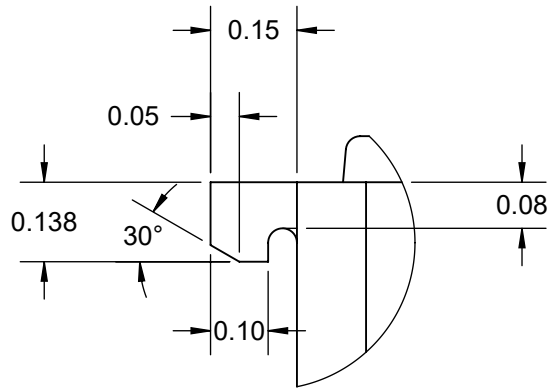
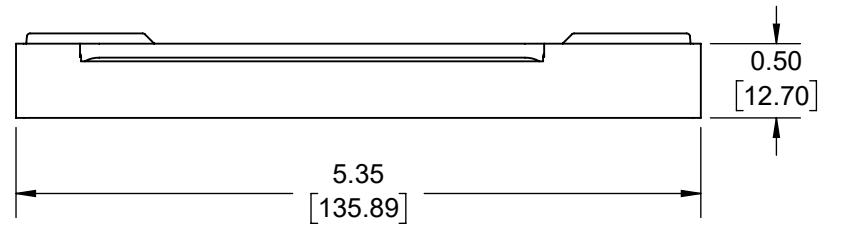
JEDEC X-Y ORIENTATION

TopLine®			
TITLE WP4-JIGTRAY-E JEDEC OUTLINE CARRIER			
SCALE 2:3	SIZE A	DRAWING NO. 780440	REV A
DO NOT SCALE DRAWING			SHEET 2 OF 7

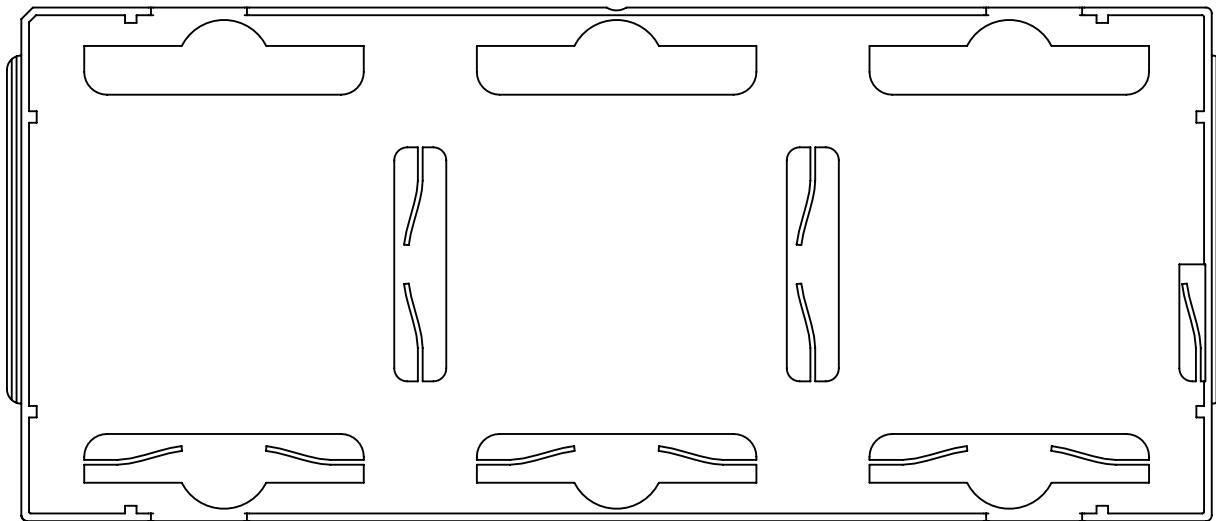
SIDE VIEW



EDGE VIEW



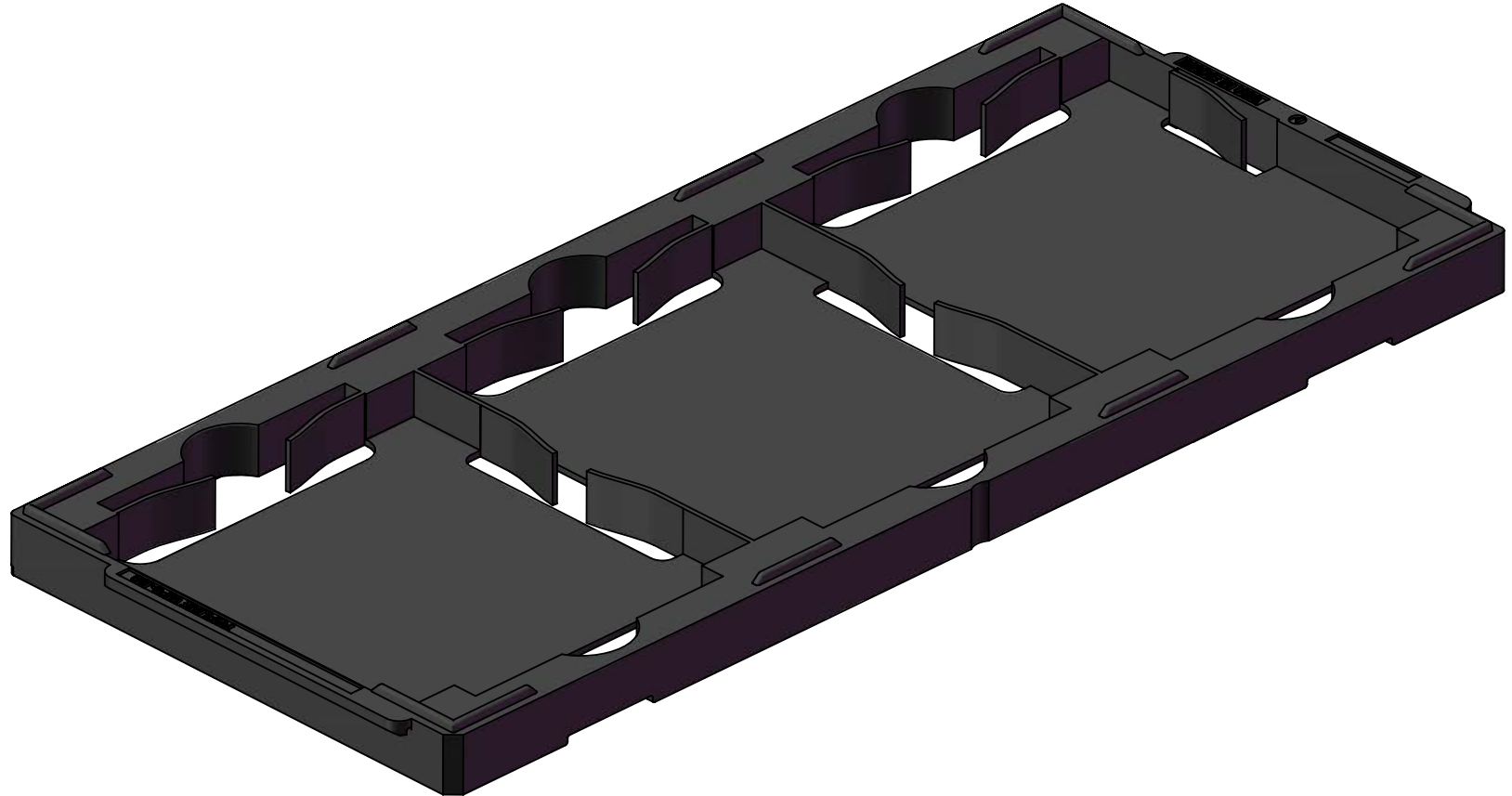
DETAIL A



BOTTOM VIEW

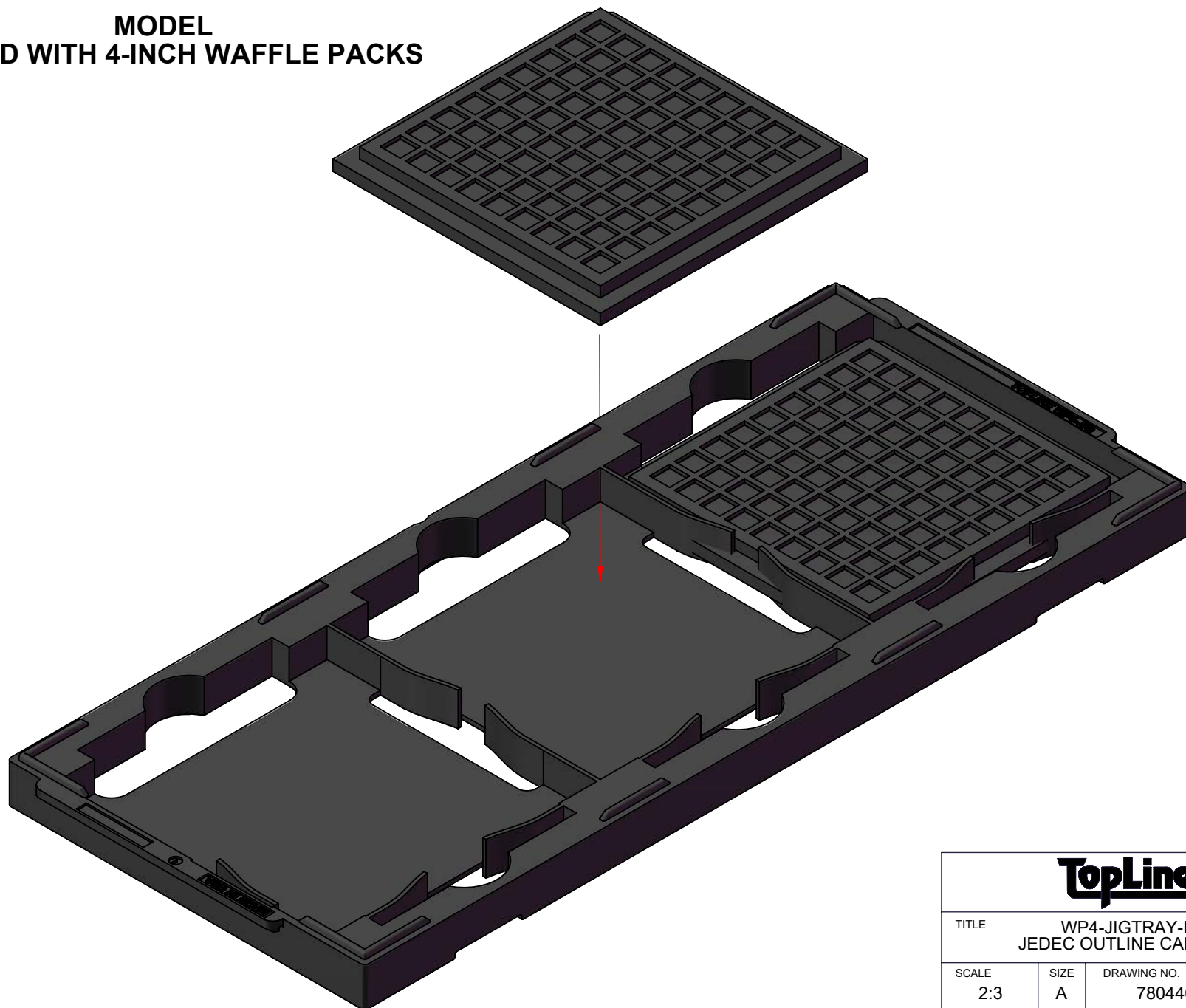
TopLine®			
TITLE		WP4-JIGTRAY-E JEDEC OUTLINE CARRIER	
SCALE	SIZE	DRAWING NO.	REV
2:3	A	780440	A
DO NOT SCALE DRAWING			SHEET 3 OF 7

**MODEL
JEDEC OUTLINE CARRIER TRAY
FOR 4-INCH WAFFLE PACKS
(100mm IC CHIP TRAYS)
EMPTY**



TopLine[®]			
TITLE		WP4-JIGTRAY-E JEDEC OUTLINE CARRIER	
SCALE	SIZE	DRAWING NO.	REV
2:3	A	780440	A
DO NOT SCALE DRAWING			SHEET 4 OF 7

**MODEL
LOADED WITH 4-INCH WAFFLE PACKS**



TopLine®

TITLE WP4-JIGTRAY-E
JEDEC OUTLINE CARRIER

SCALE 2:3	SIZE A	DRAWING NO. 780440	REV A
--------------	-----------	-----------------------	----------

DO NOT SCALE DRAWING

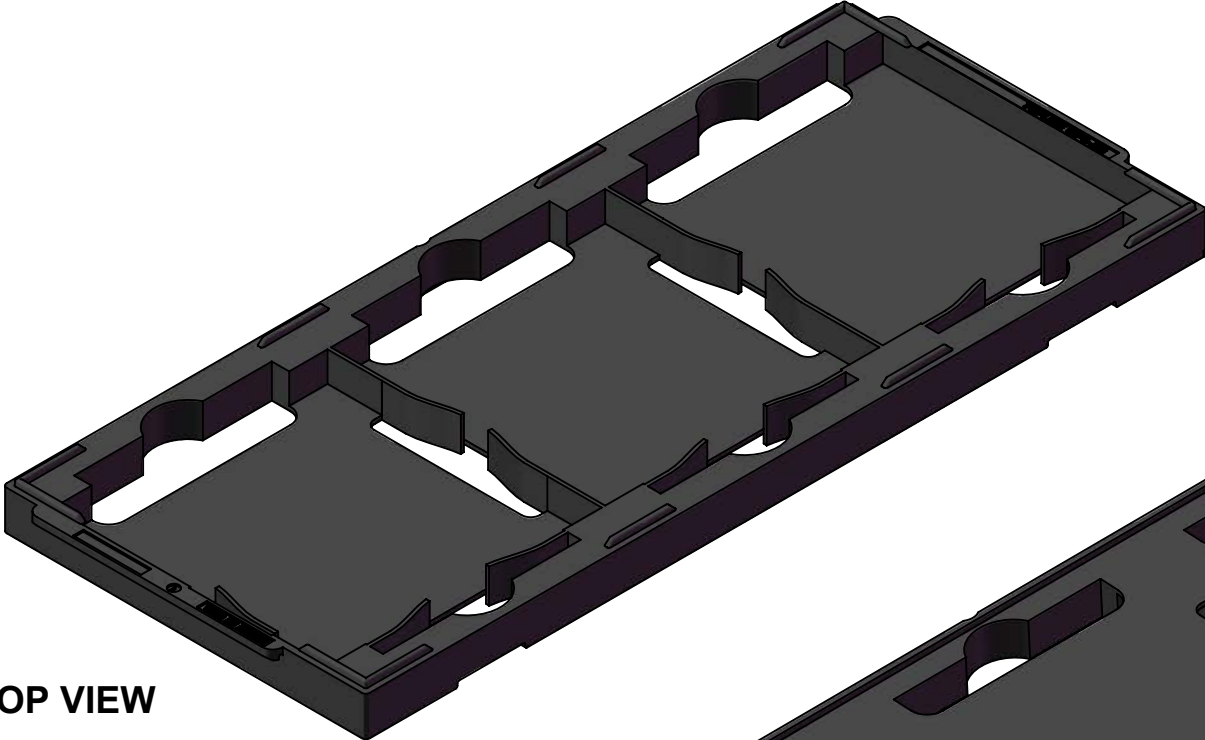
SHEET 5 OF 7

MODEL SIDE VIEW



TITLE				WP4-JIGTRAY-E JEDEC OUTLINE CARRIER			
SCALE	SIZE	DRAWING NO.		REV			
2:3	A	780440		A			
DO NOT SCALE DRAWING			SHEET 6 OF 7				

MODELS



TOP VIEW



BOTTOM VIEW

TopLine[®]			
TITLE WP4-JIGTRAY-E JEDEC OUTLINE CARRIER			
SCALE	SIZE	DRAWING NO.	REV
1:2	A	780440	A
DO NOT SCALE DRAWING			SHEET 7 OF 7