




CERAMIC CHIP CAPACITOR



DUMMY COMPONENT ORDERING INFORMATION

CHIP SIZE		TAPE INFO		BULK CHIP CASE		4" (100mm) Tape & Reel Part Number		7" (180mm) Tape & Reel Part Number		13" (330mm) Tape & Reel Part Number	
Inch	Metric	WIDTH	PITCH	XD1	QTY	XM1	QTY	XD1	QTY	XD1	QTY
PAPER TAPE											
0201	0603	8mm	2mm	-	-	SC0201P4A	500	SC0201P7A	15,000	-	-
0402	1005	8mm	2mm	SC0402F	50,000	SC0402P4A	500	SC0402P7A	10,000	SC0402P13A	50,000
0603	1608	8mm	4mm	SC0603F	15,000	SC0603P4A	500	SC0603P7A	4000	SC0603P13A	10,000
0805	2012	8mm	4mm	SC0805F-.6	10,000	SC0805P4A	500	SC0805P7A	4000	SC0805P13A	10,000
0805	2012	8mm	4mm	SC0805F-1.25	5000						
1206	3216	8mm	4mm	SC1206F	4000	SC1206P4A	500	SC1206P7A	4000	SC1206P13A	10,000
PLASTIC TAPE											
0805	2012	8mm	4mm	-	-	SC0805E4A	500	SC0805E7A	3000	SC0805E13A	10,000
1206	3216	8mm	4mm	-	-	SC1206E4A	500	SC1206E7A	3000	SC1206E13A	10,000
1210	3225	8mm	4mm	-	-	SC1210E4A	500	SC1210E7A	3000	SC1210E13A	10,000
1812	4532	12mm	8mm	-	-	SC1812E4A	100	SC1812E7A	1000	SC1812E13A	4000
2225	5664	12mm	8mm	-	-	SC2225E4A	100	SC2225E7A	1000	SC2225E13A	4000
LEAD-FREE  Sn100											
0402	1005	8mm	4mm	-	-	SC0402E4A-TIN	500	SC0402E7A-TIN	5000	-	-
0603	1608	8mm	4mm	-	-	SC0603E4A-TIN	500	SC0603E7A-TIN	4000	-	-
0805	2012	8mm	4mm	-	-	SC0805E4A-TIN	500	SC0805E7A-TIN	4000	-	-
1206	3216	8mm	4mm	-	-	SC1206E4A-TIN	500	SC1206E7A-TIN	4000	-	-
1210	3225	8mm	4mm	-	-	SC1210E4A-TIN	500	SC1210E7A-TIN	4000	-	-
1812	4532	12mm	8mm	-	-	SC1812E4A-TIN	100	SC1812E7A-TIN	1000	-	-

DIMENSION TOLERANCE L x W

0201 ± 0.03mm	0805 ± 0.15mm
0402 ± 0.05mm	1206 ± 0.15mm
0603 ± 0.1mm	1210 ± 0.30mm

HEIGHT (H)

0201	0.3mm ± 0.03	0805	0.6~1.25mm
0402	0.5mm ± 0.1	1206	0.6~1.25mm
0603	0.8mm ± 0.1	1210	1.25~1.5mm

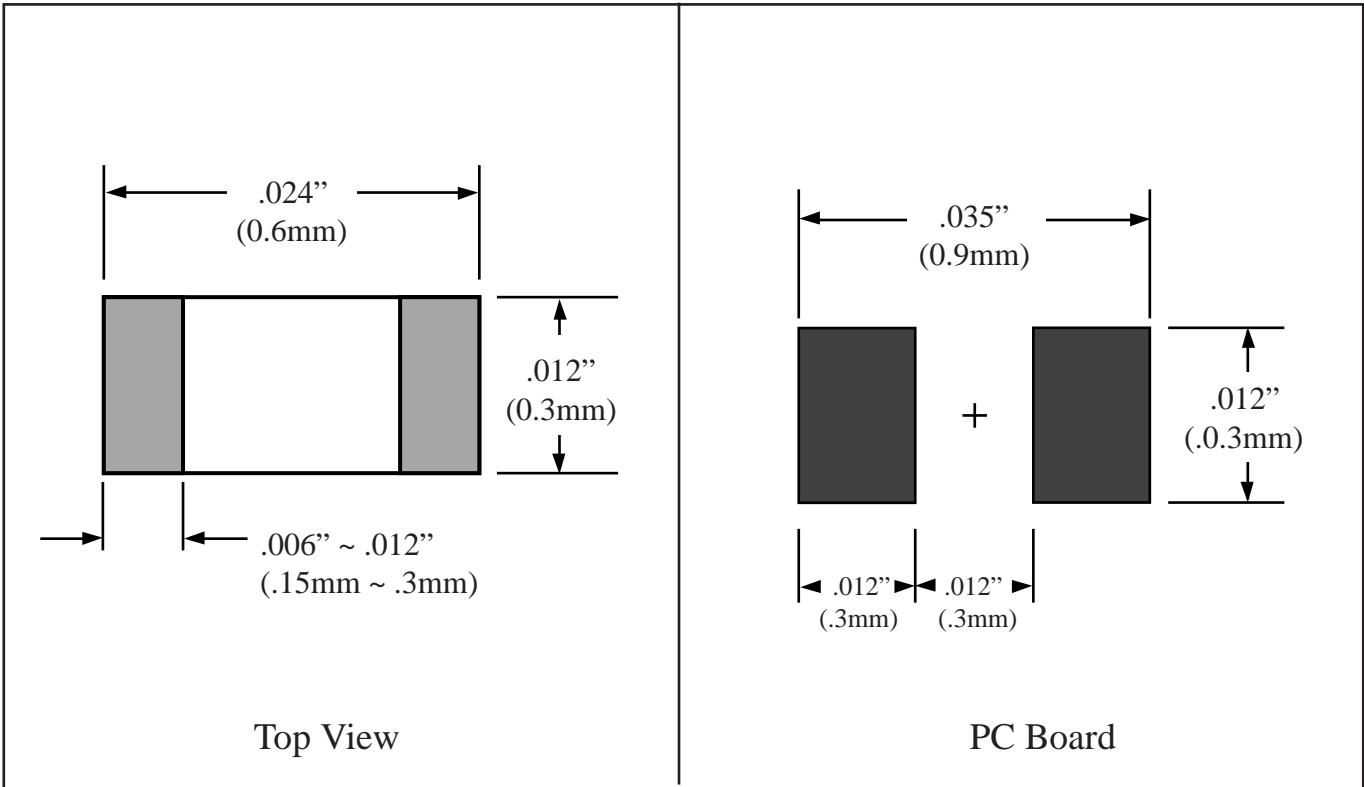
**I
N
F
O** Ceramic chip capacitors are standard with Sn/Pb plated Nickel-Barrier terminations. Other sizes such as 0504, 1805, 1806, 2220 are available on special order. Also available lead-free with Sn 100% tin terminations. Nomenclature: The chip size code is the component's LxW dimensions. Example: 0805 = .08" x .05". Chip size may also be expressed in metric code. Example: 2012 = 2.0mm x 1.2mm.

Part # **SC0201**
Chip Ceramic Capacitor
 Body Size **0201**

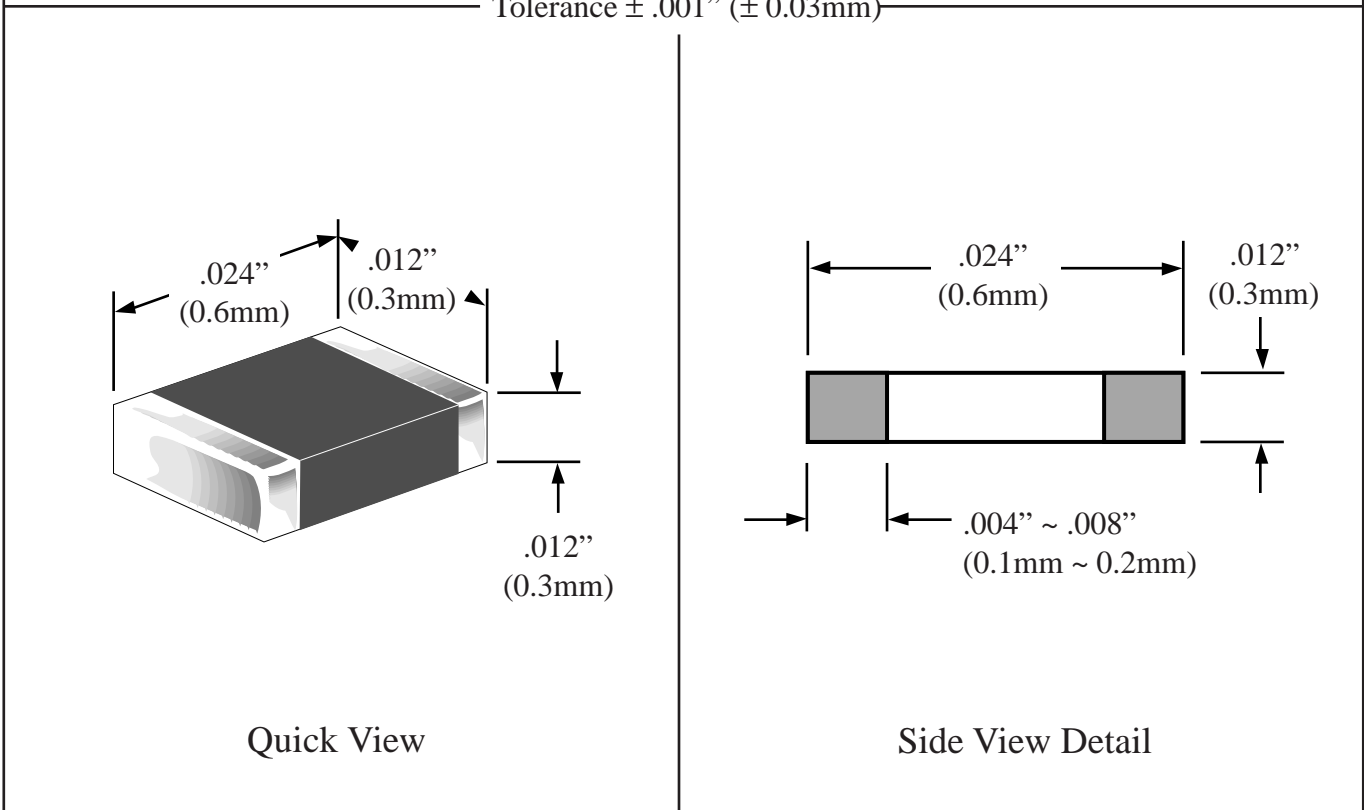
Dwg SC0201.pdf



Tel 1-714-898-3830
 info@topline.to



Tolerance $\pm .001''$ ($\pm 0.03\text{mm}$)

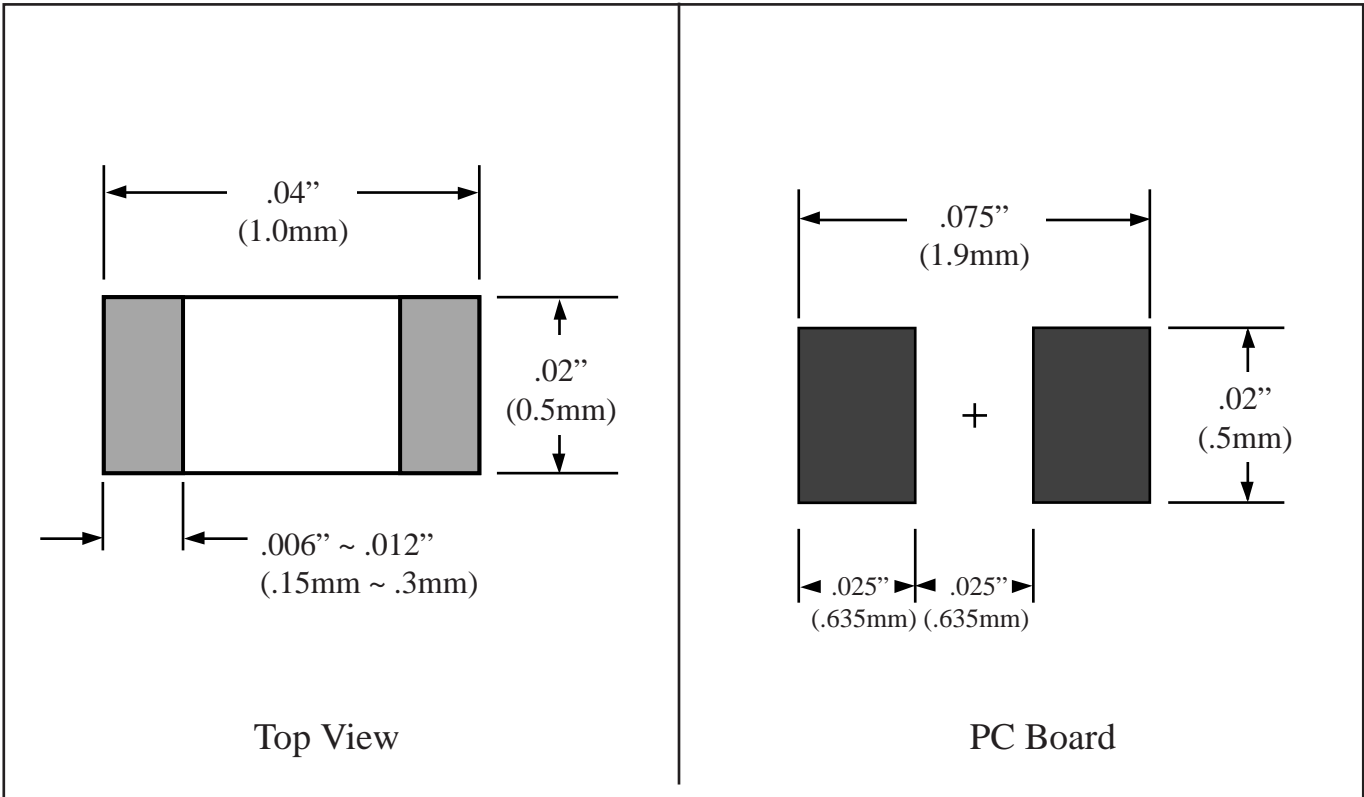


Part # **SC0402**
Chip Ceramic Capacitor
 Body Size **0402**

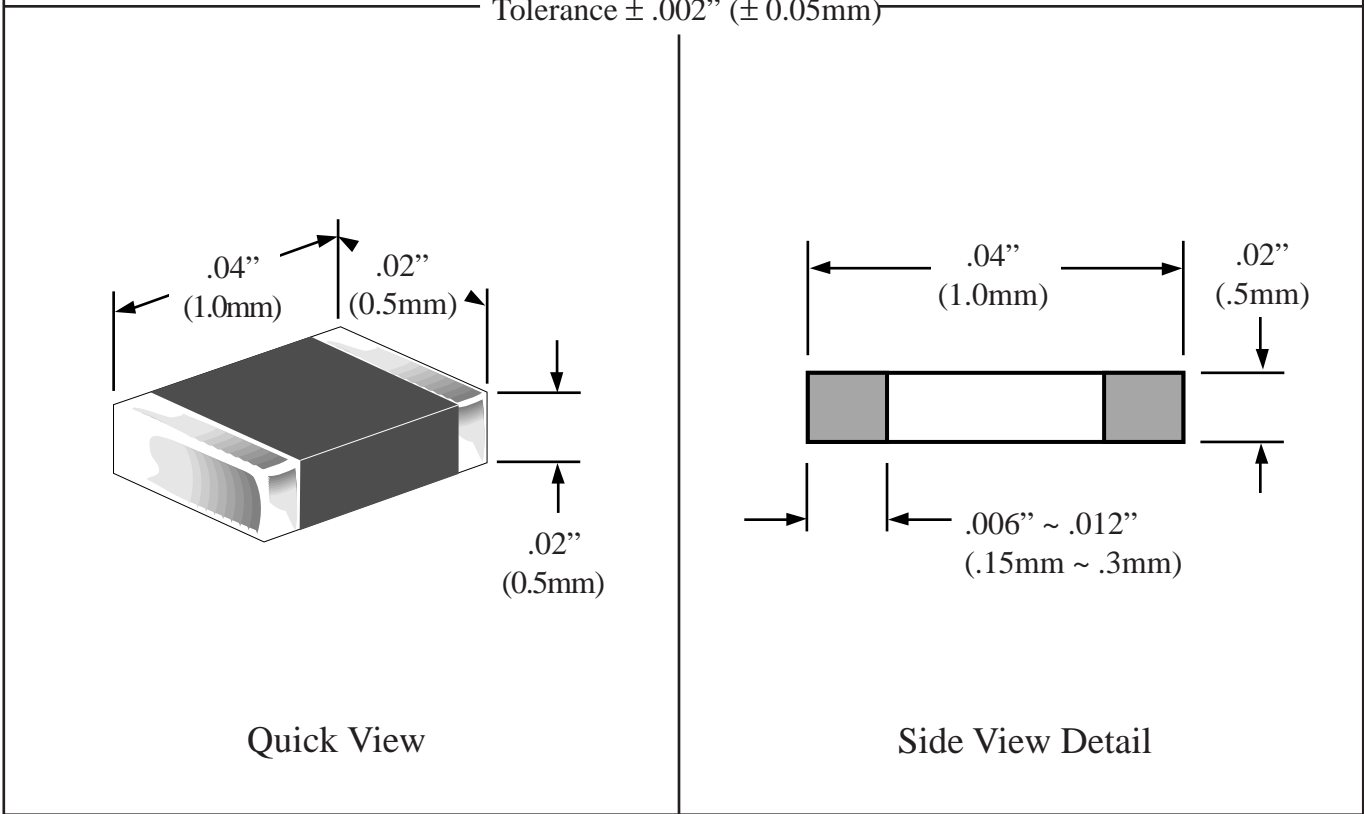
Dwg SC0402.pdf



Tel 1-714-898-3830
 info@topline.to



Tolerance $\pm .002''$ ($\pm 0.05\text{mm}$)

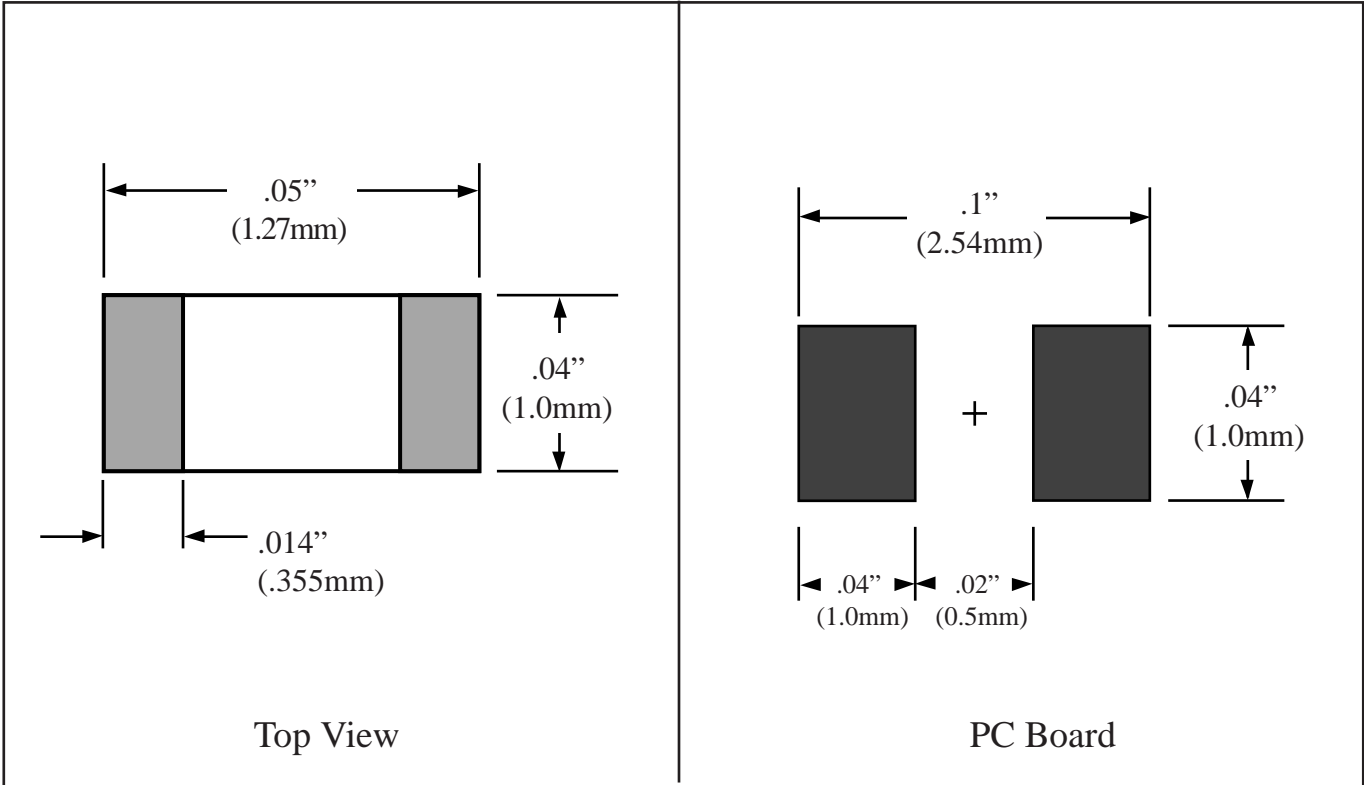


Part # **SC0504**
Chip Ceramic Capacitor
 Body Size **0504**

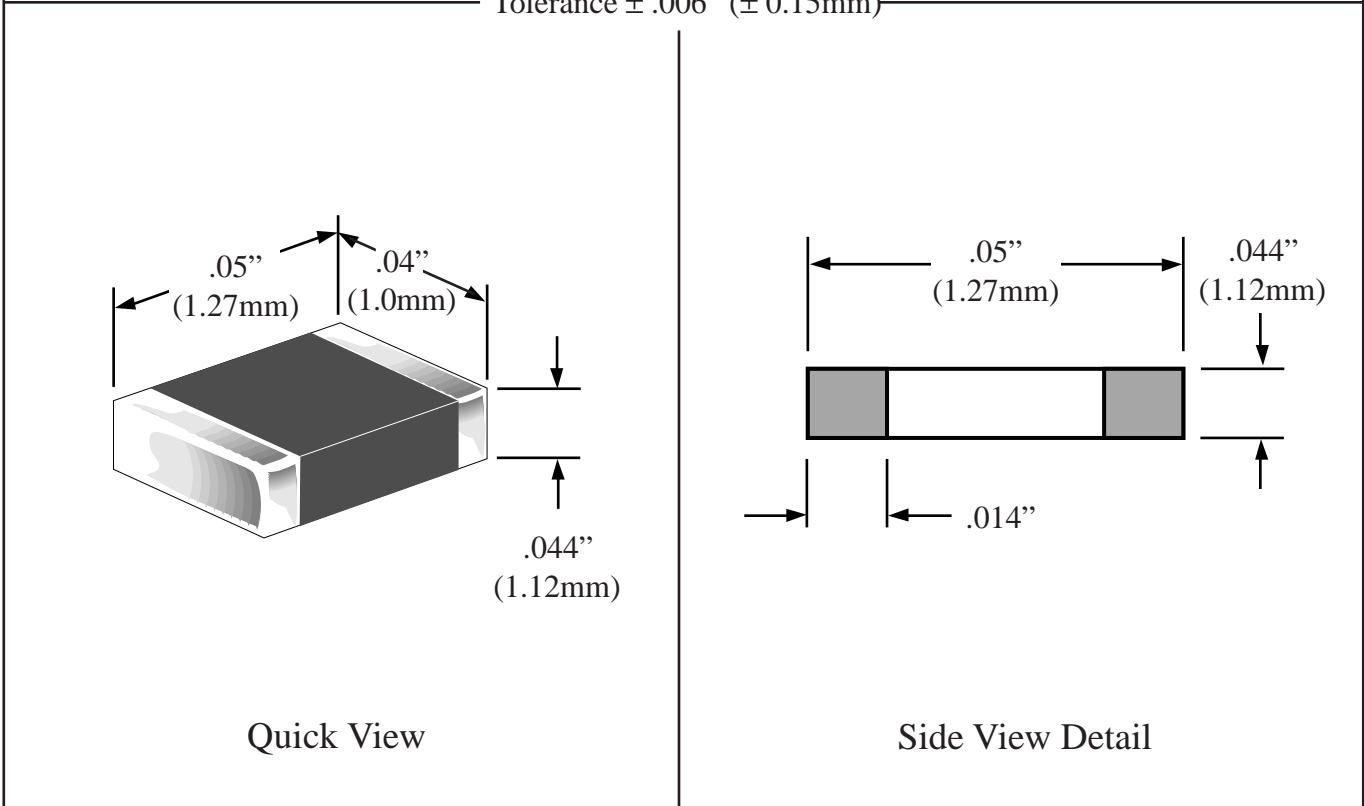
Dwg SC0504.pdf



Tel 1-714-898-3830
 info@topline.to



Tolerance $\pm .006''$ ($\pm 0.15\text{mm}$)

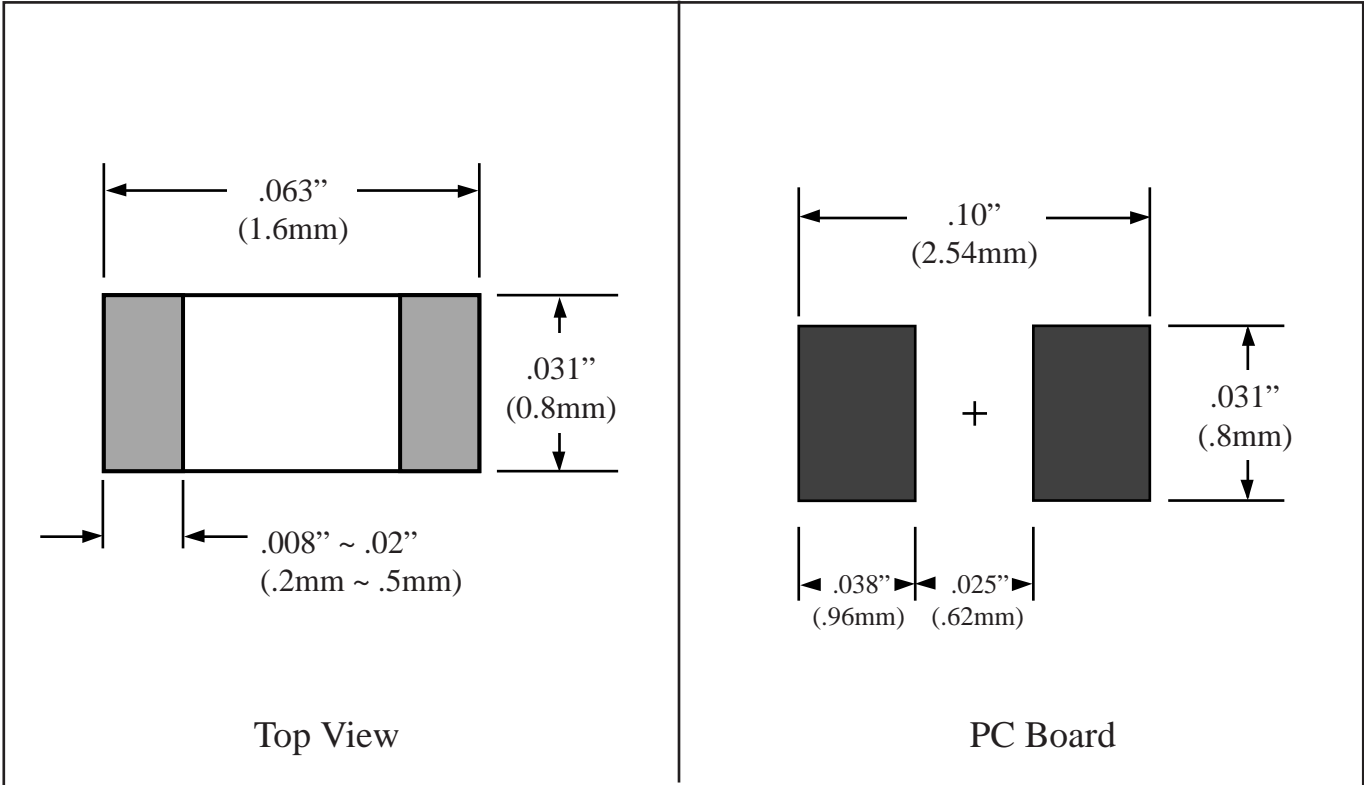


Part # **SC0603**
Chip Ceramic Capacitor
 Body Size **0603**

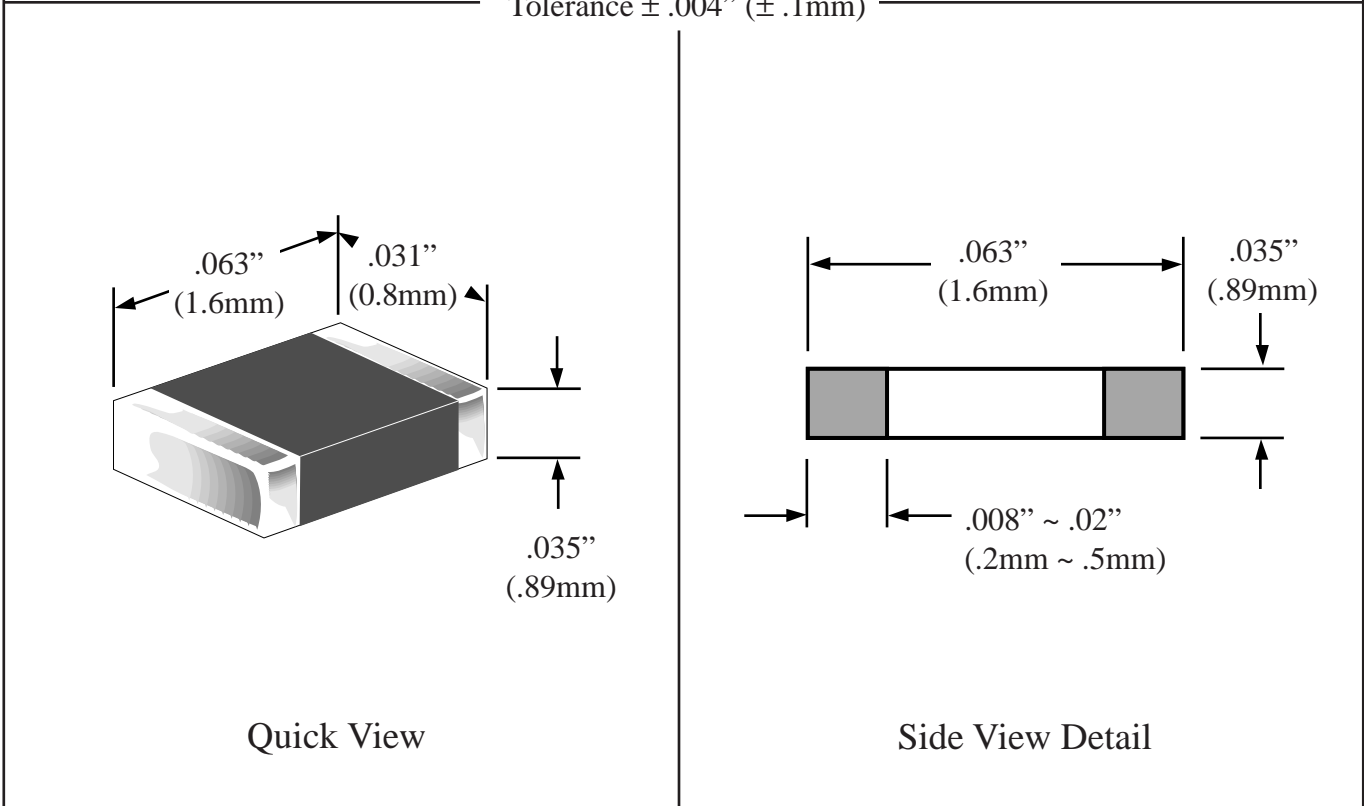
Dwg SC0603.pdf



Tel 1-714-898-3830
 info@topline.to



Tolerance $\pm .004''$ ($\pm .1\text{mm}$)

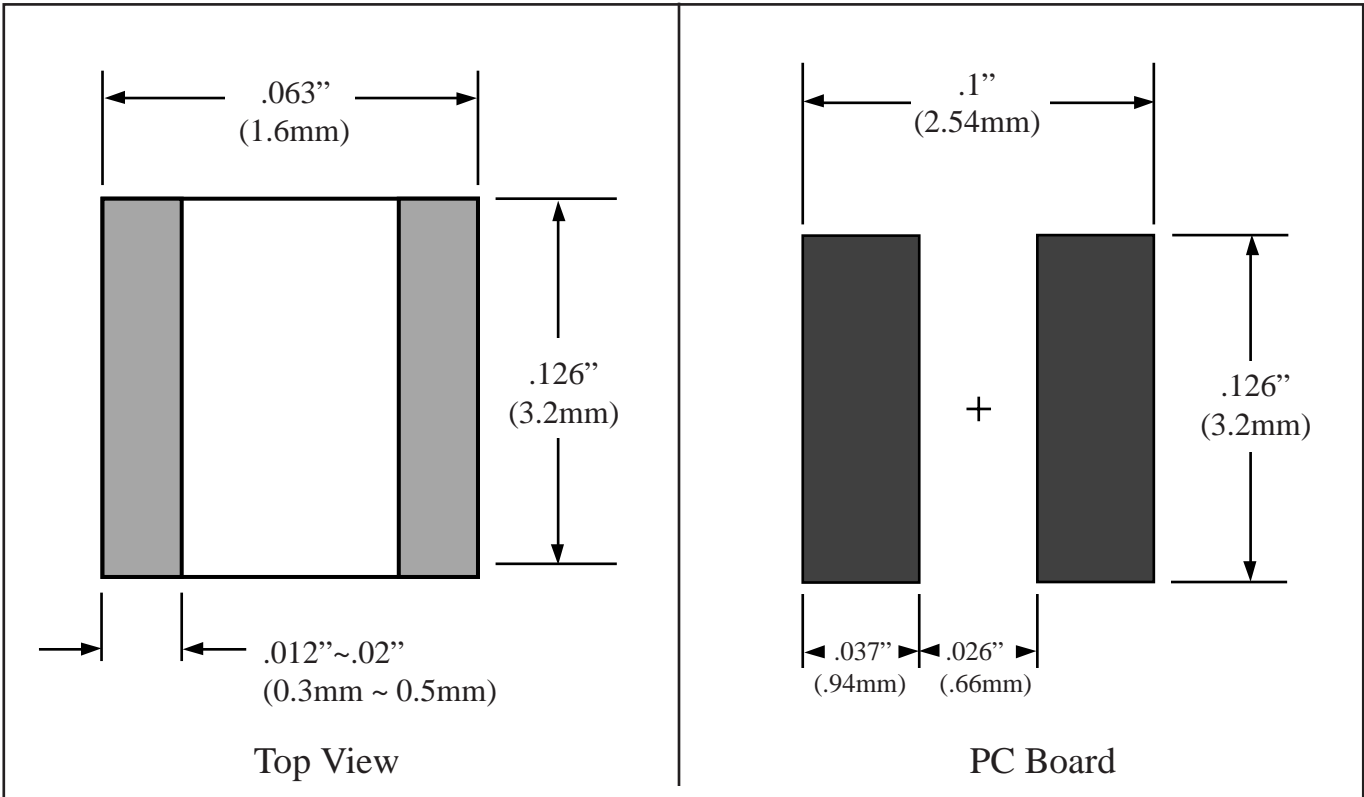


Part # SC0612
 Chip Ceramic Capacitor
 Body Size 0612

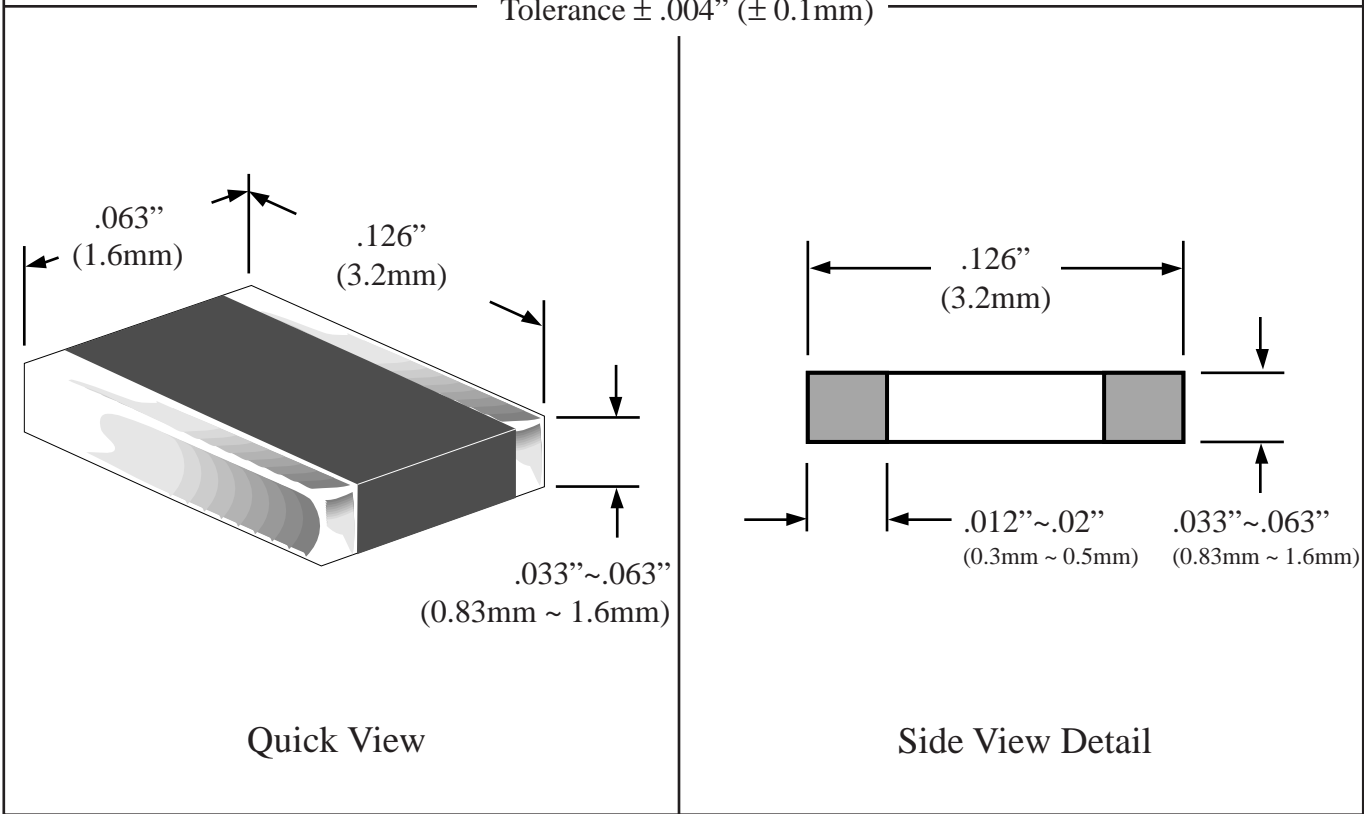
Dwg SC0612.pdf



Tel 1-714-898-3830
 info@topline.to



Tolerance ± .004" (± 0.1mm)

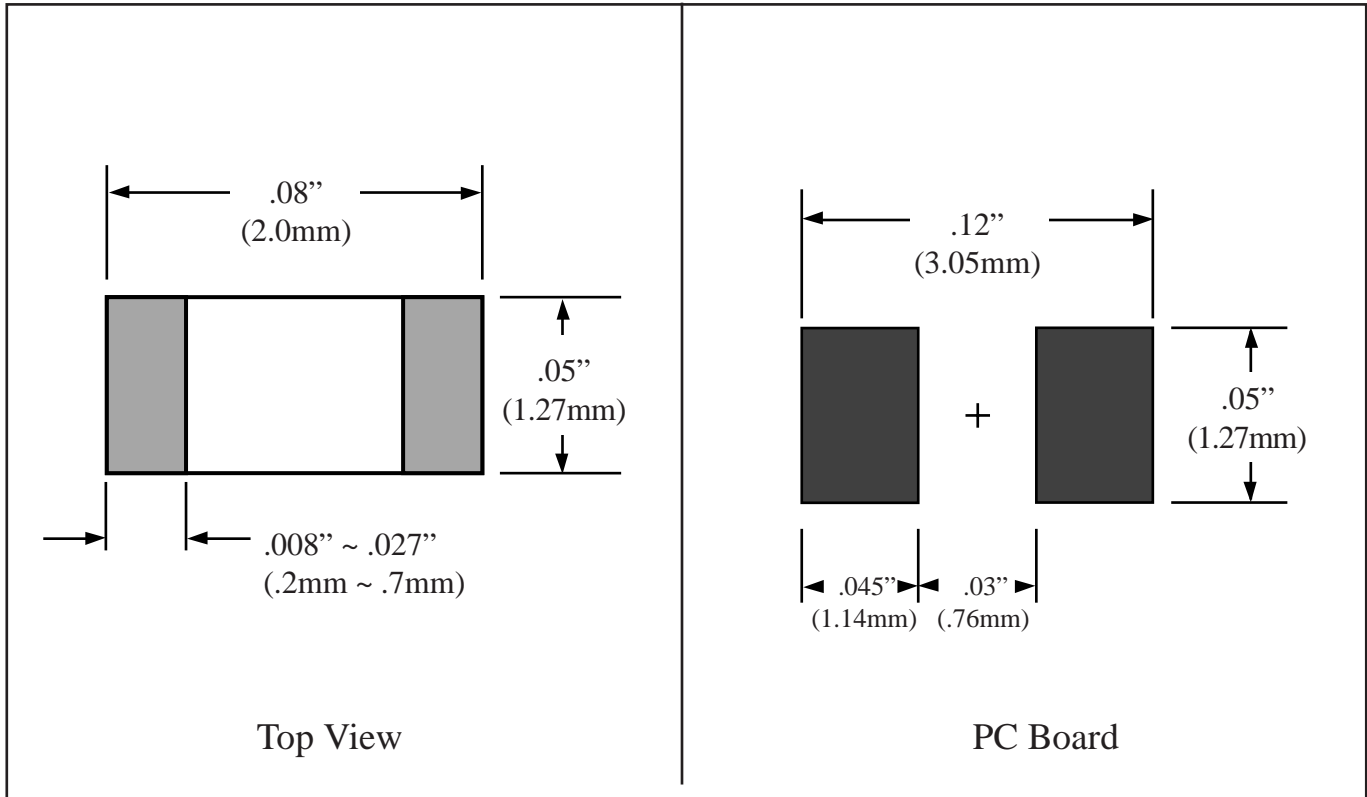


Part # **SC0805**
Chip Ceramic Capacitor
 Body Size **0805**

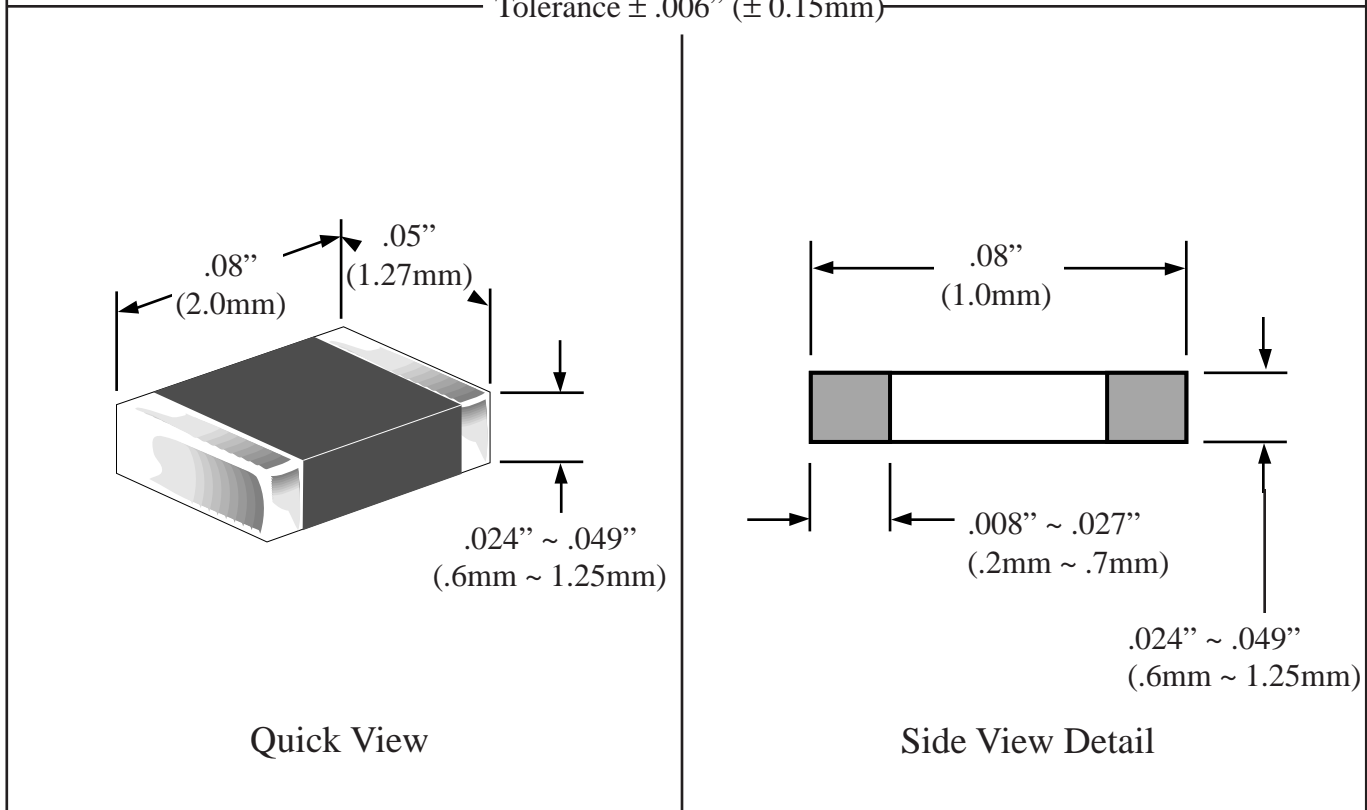
Dwg SC0805.pdf



Tel 1-714-898-3830
 info@topline.to



Tolerance $\pm .006''$ ($\pm 0.15\text{mm}$)

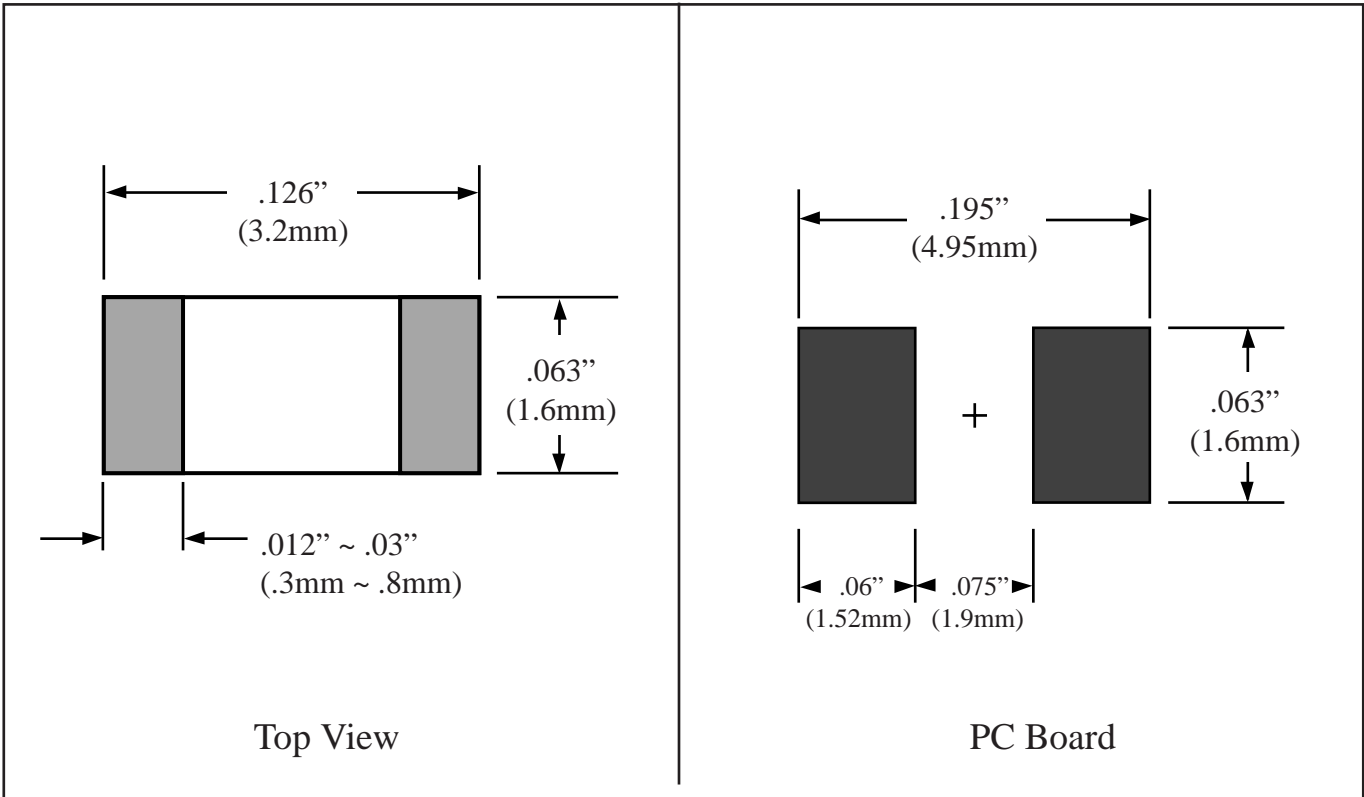


Part # **SC1206**
Chip Ceramic Capacitor
Body Size 1206

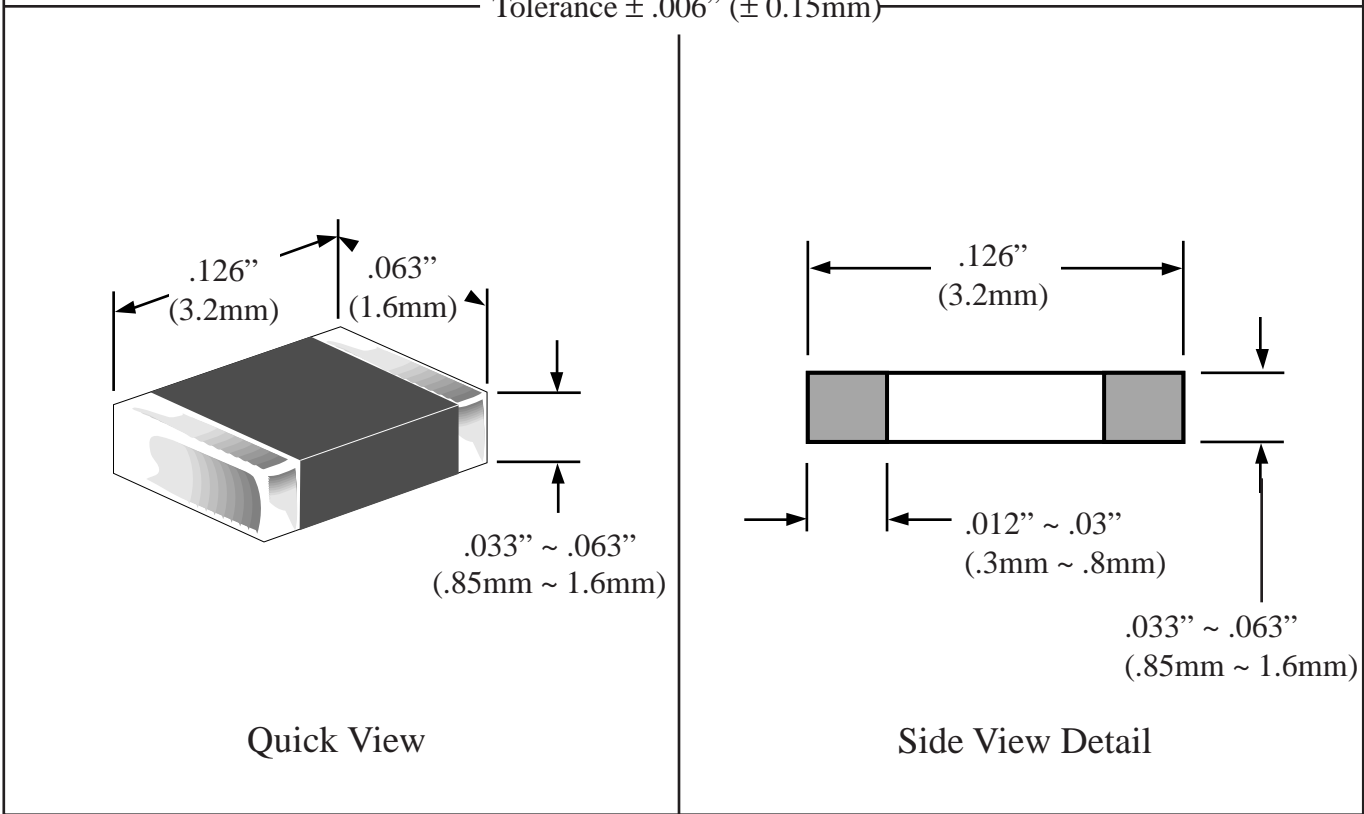
Dwg SC1206.pdf



Tel 1-714-898-3830
 info@topline.to



Tolerance $\pm .006''$ ($\pm 0.15\text{mm}$)

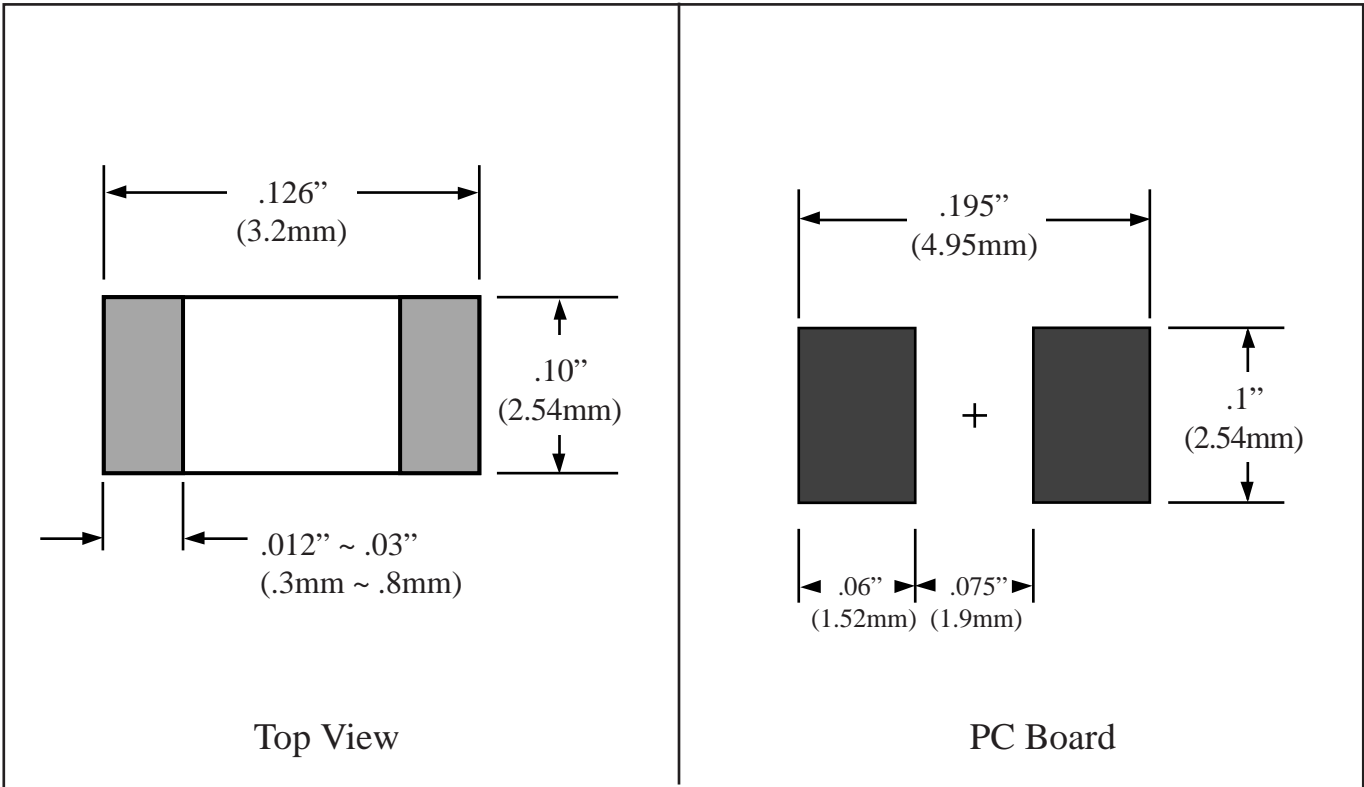


Part # **SC1210**
Chip Ceramic Capacitor
 Body Size **1210**

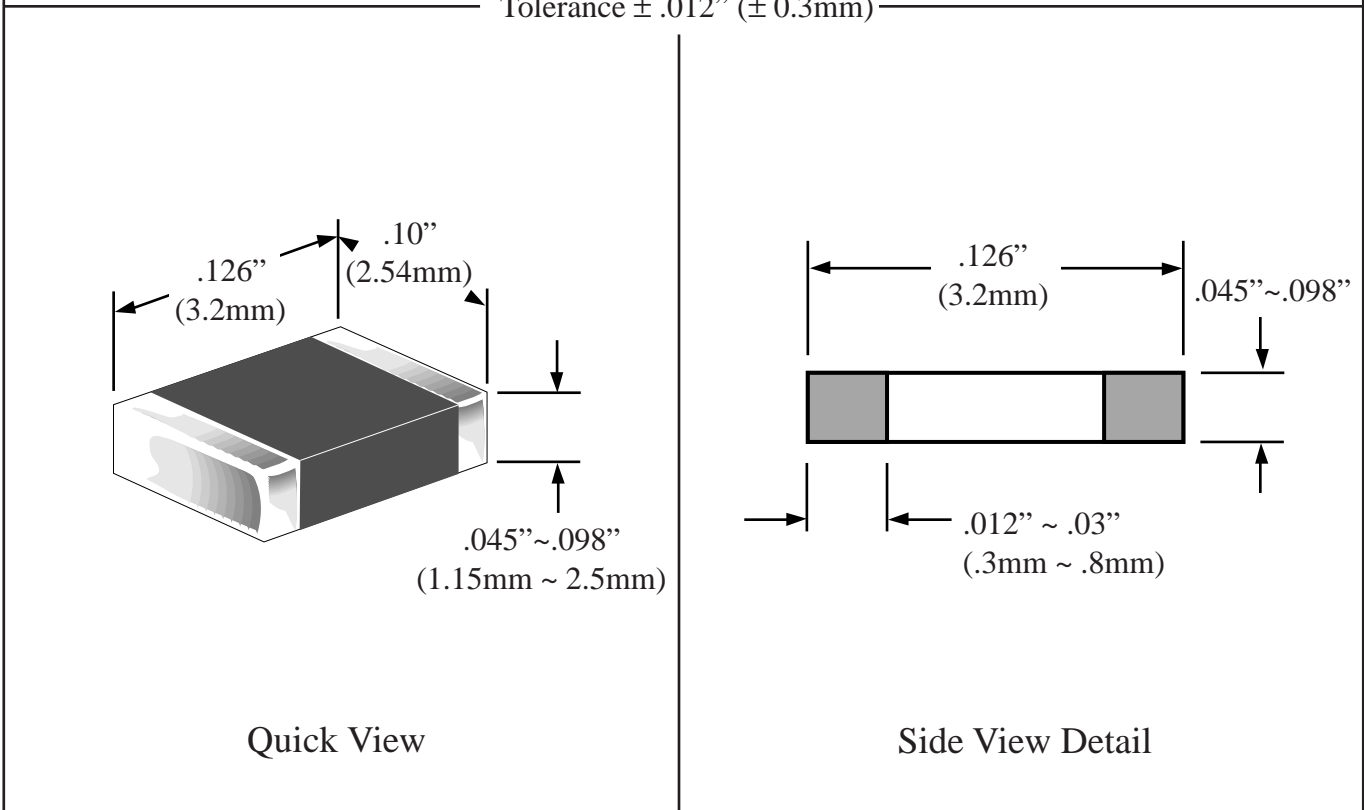
Dwg SC1210.pdf



Tel 1-714-898-3830
 info@topline.to



Tolerance $\pm .012''$ ($\pm 0.3\text{mm}$)

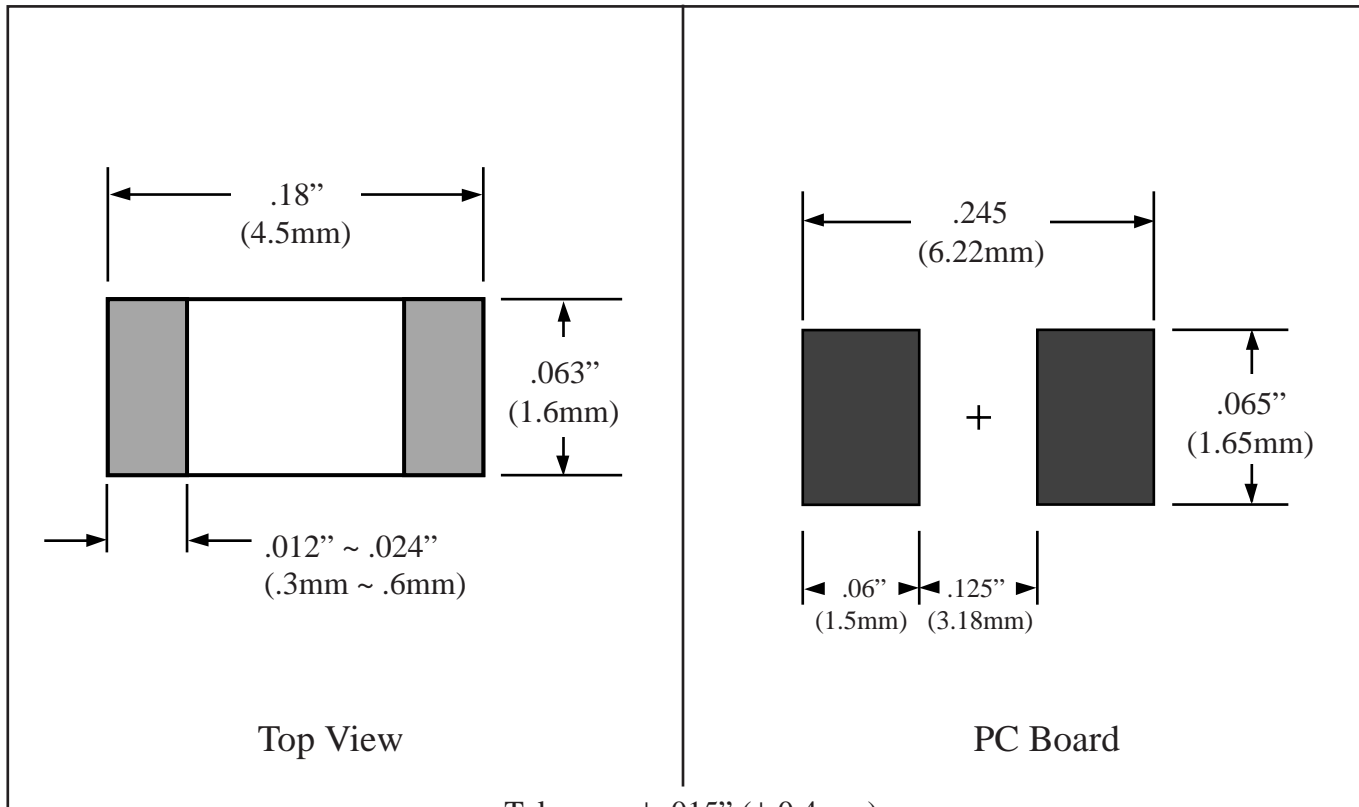


Part # **SC1806**
Chip Ceramic Capacitor
Body Size 1806

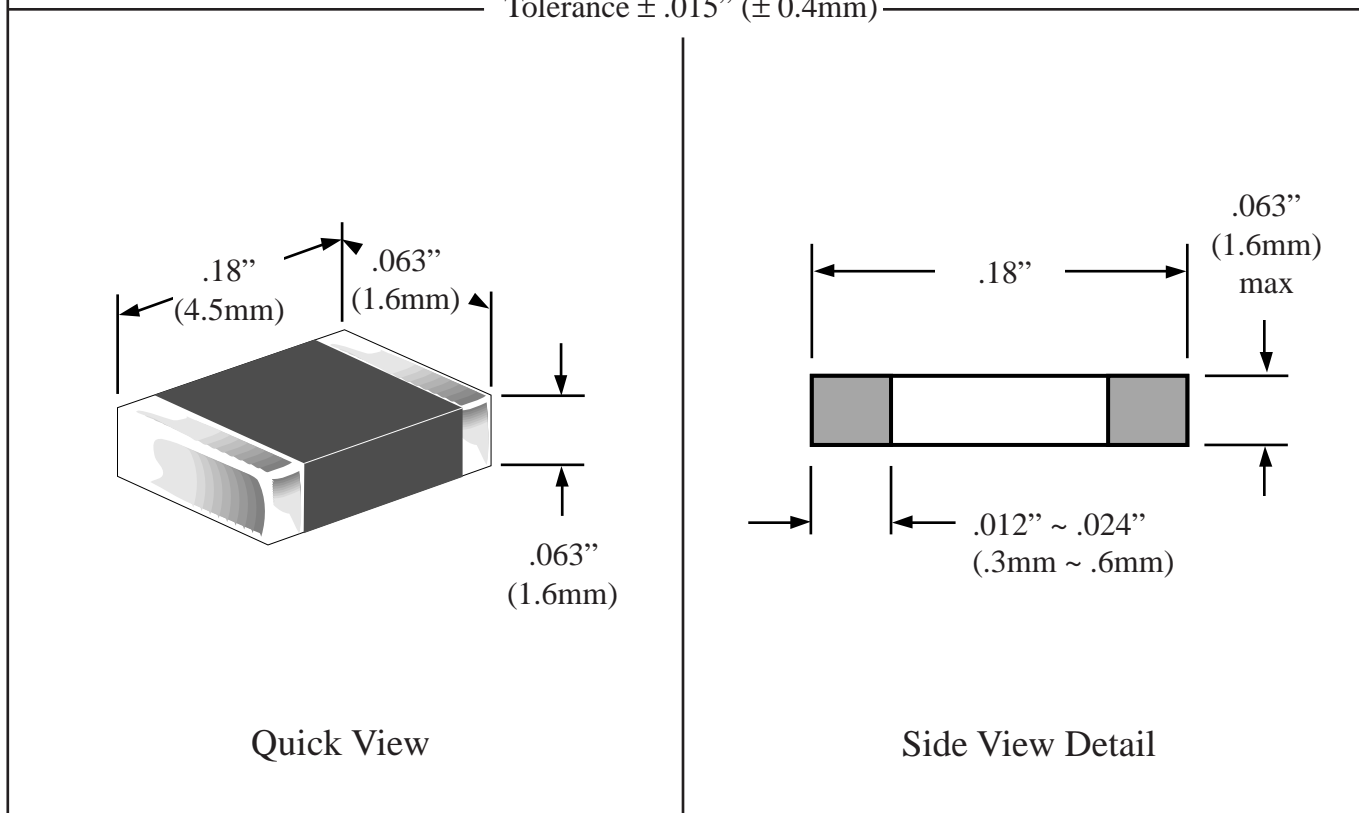
Dwg SC1806.pdf



Tel 1-714-898-3830
 info@topline.to



Tolerance $\pm .015"$ ($\pm 0.4\text{mm}$)

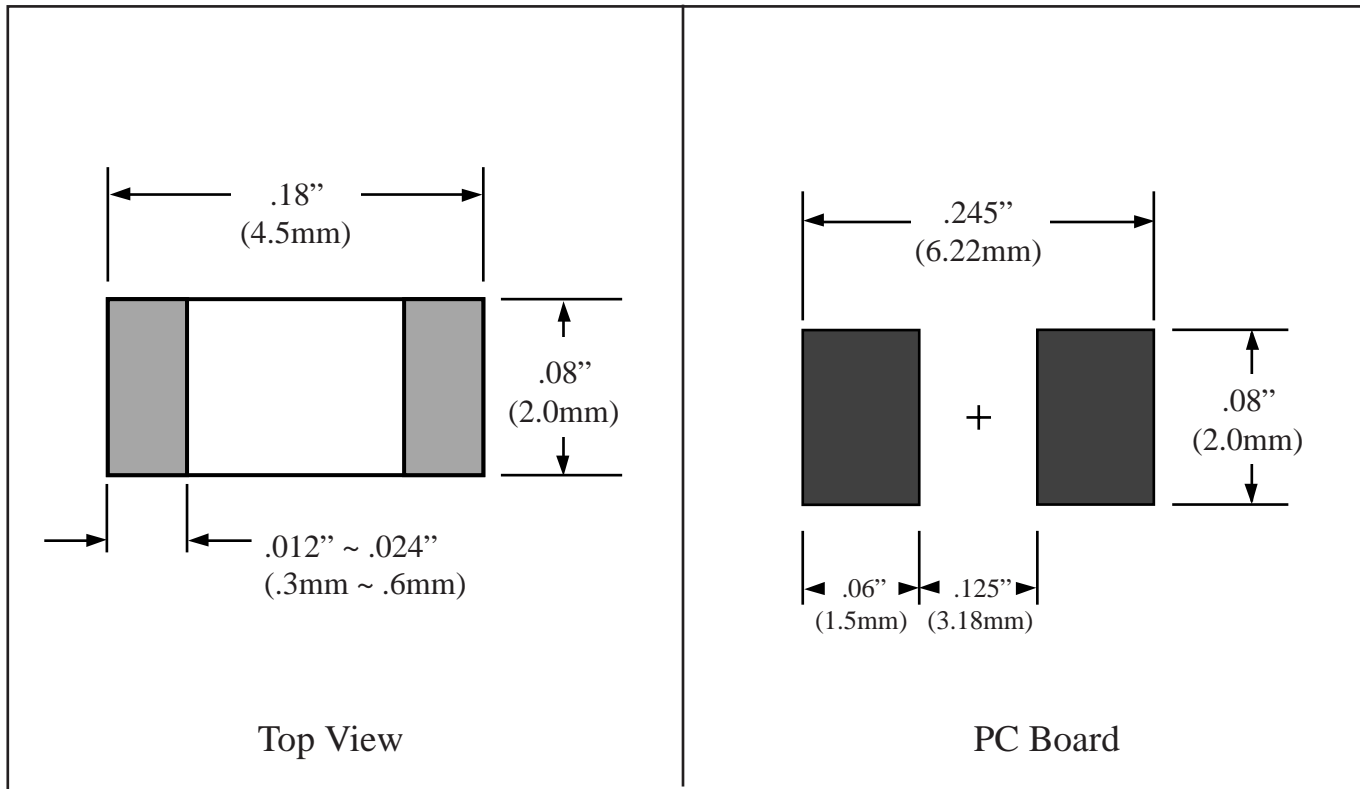


Part # **SC1808**
Chip Ceramic Capacitor
Body Size 1808

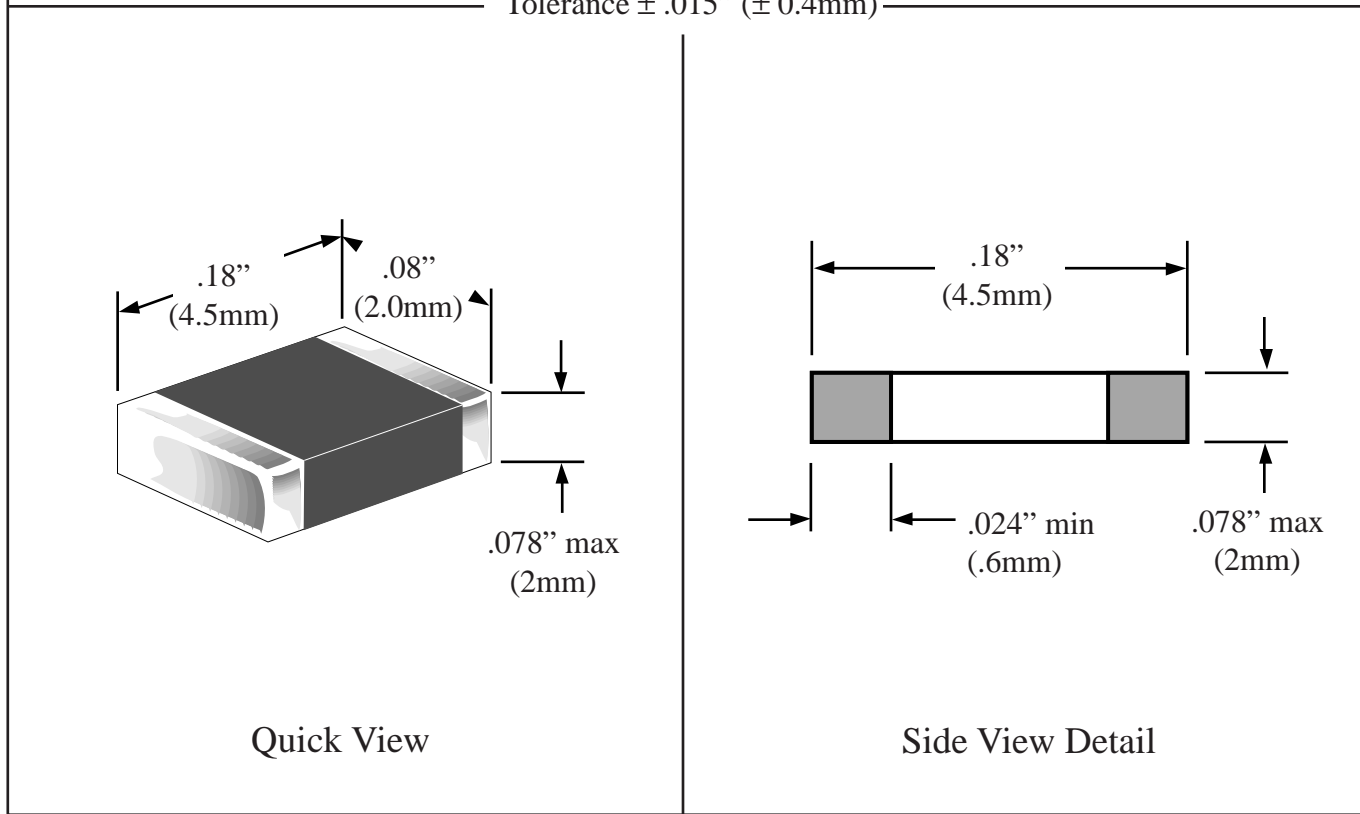
Dwg SC1808.pdf



Tel 1-714-898-3830
 info@topline.to



Tolerance $\pm .015"$ ($\pm 0.4\text{mm}$)

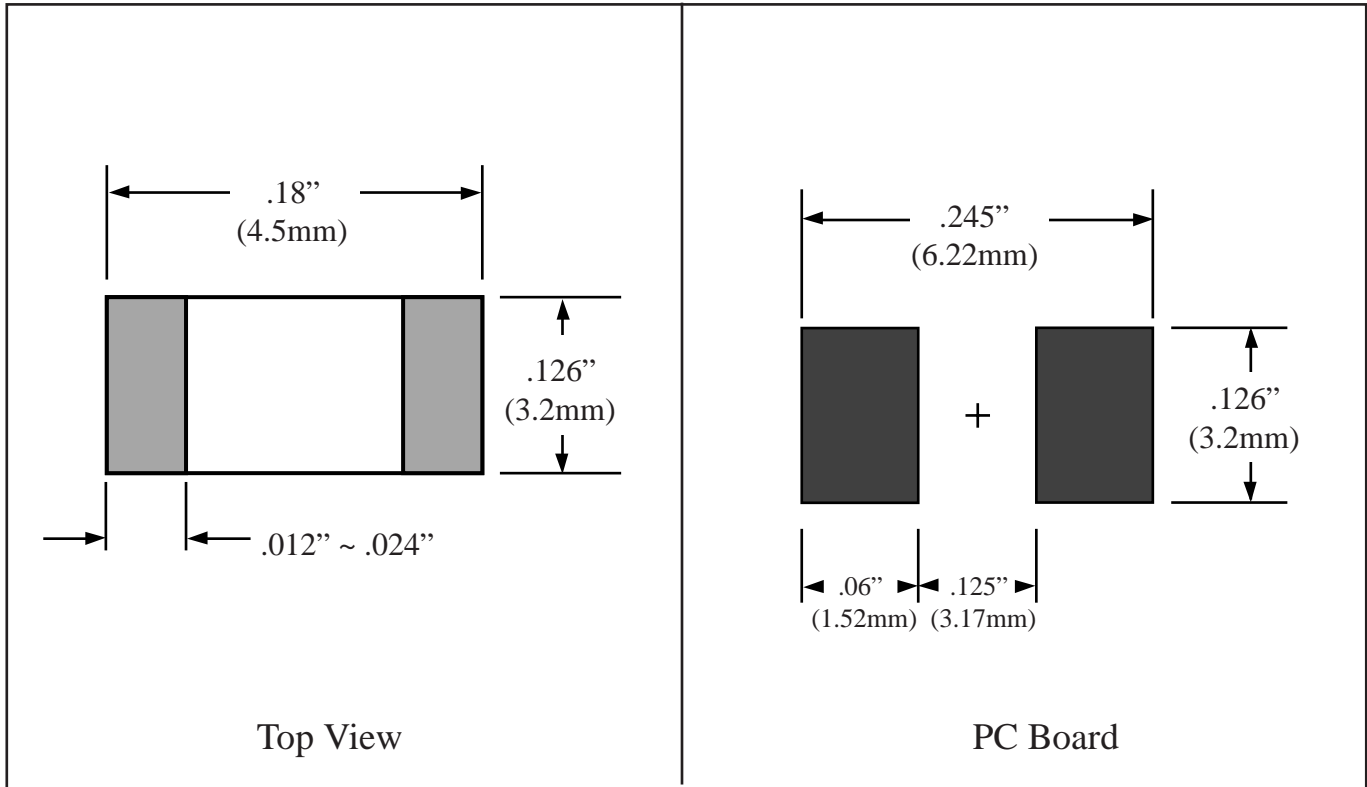


Part # **SC1812**
Chip Ceramic Capacitor
 Body Size **1812**

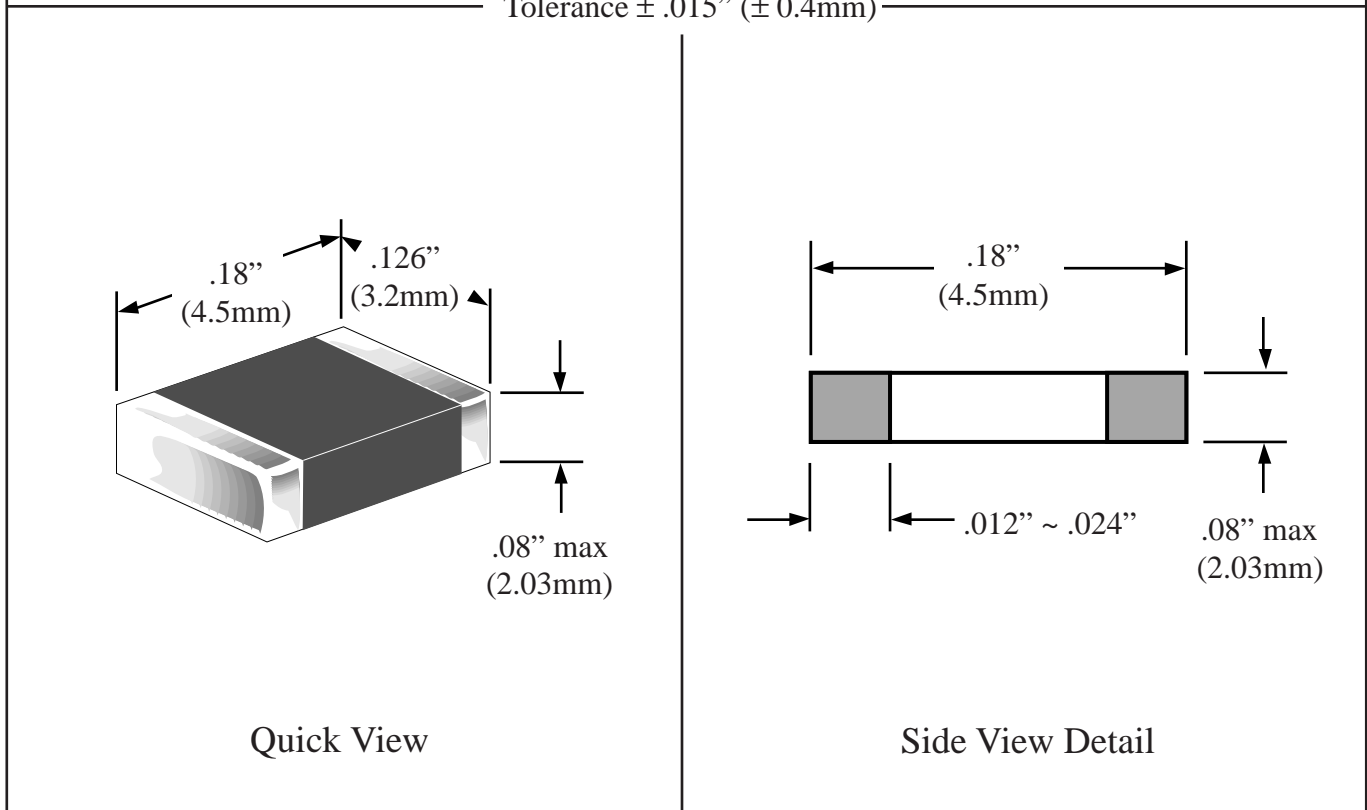
Dwg SC1812.pdf



Tel 1-714-898-3830
 info@topline.to



Tolerance $\pm .015''$ ($\pm 0.4\text{mm}$)

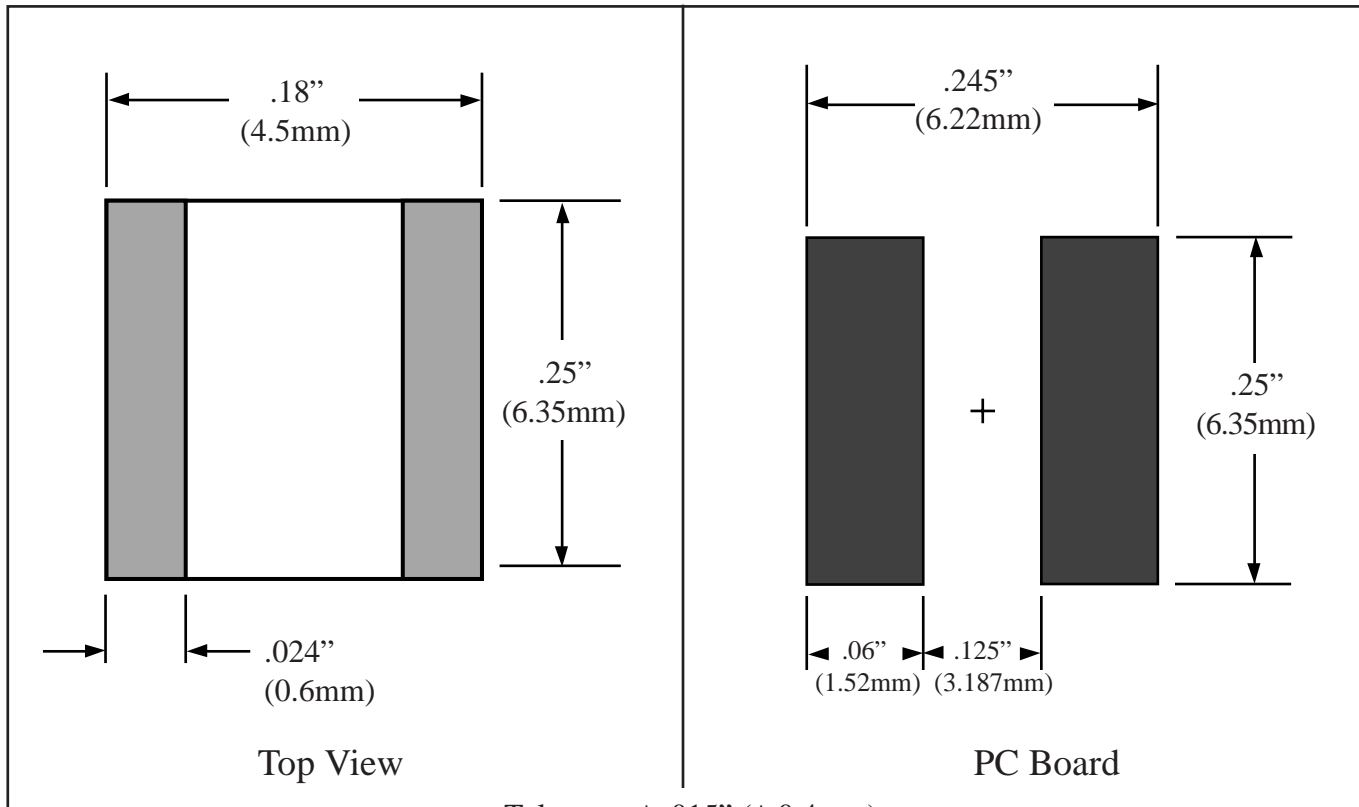


Part # **SC1825**
Chip Ceramic Capacitor
 Body Size **1825**

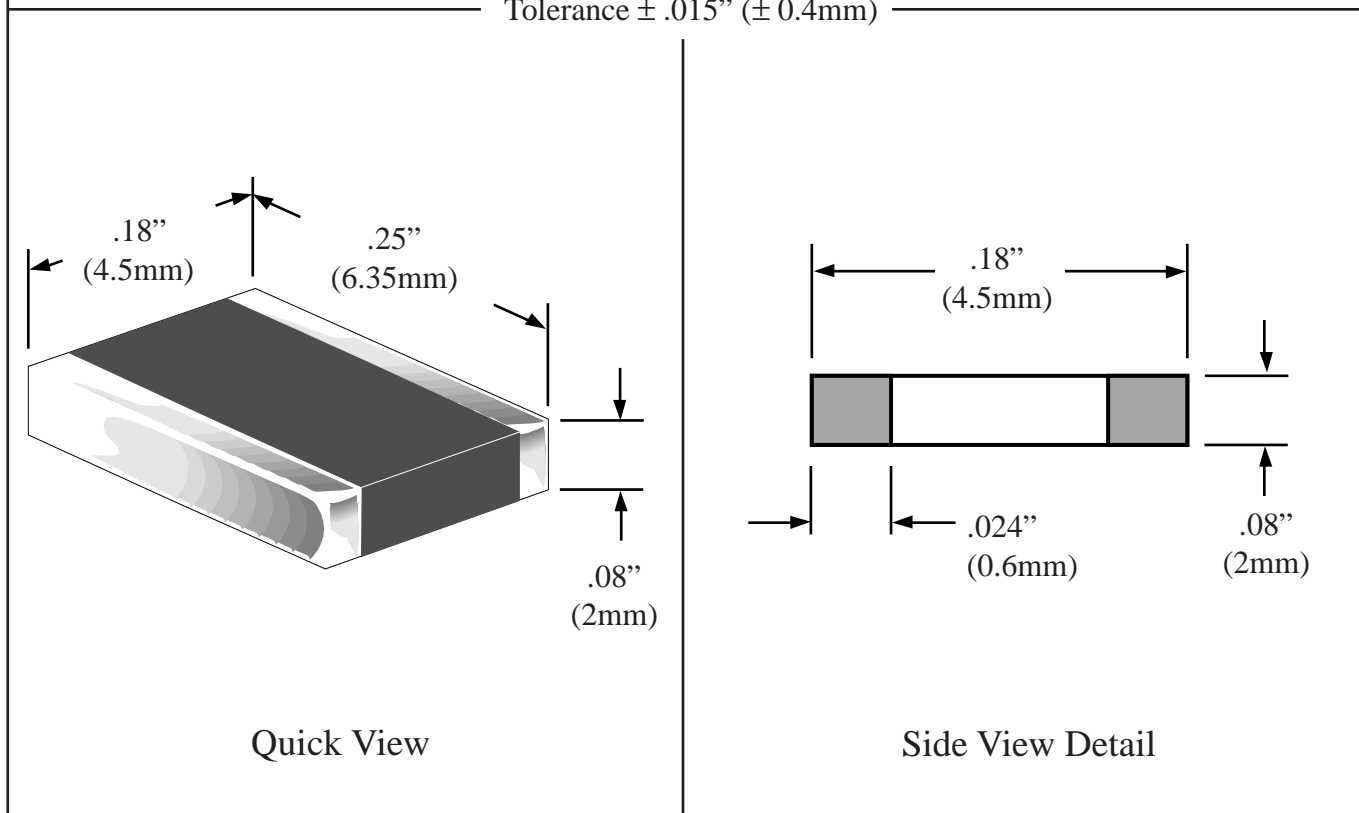
Dwg SC1825.pdf



Tel 1-714-898-3830
 info@topline.to



Tolerance $\pm .015''$ ($\pm 0.4\text{mm}$)

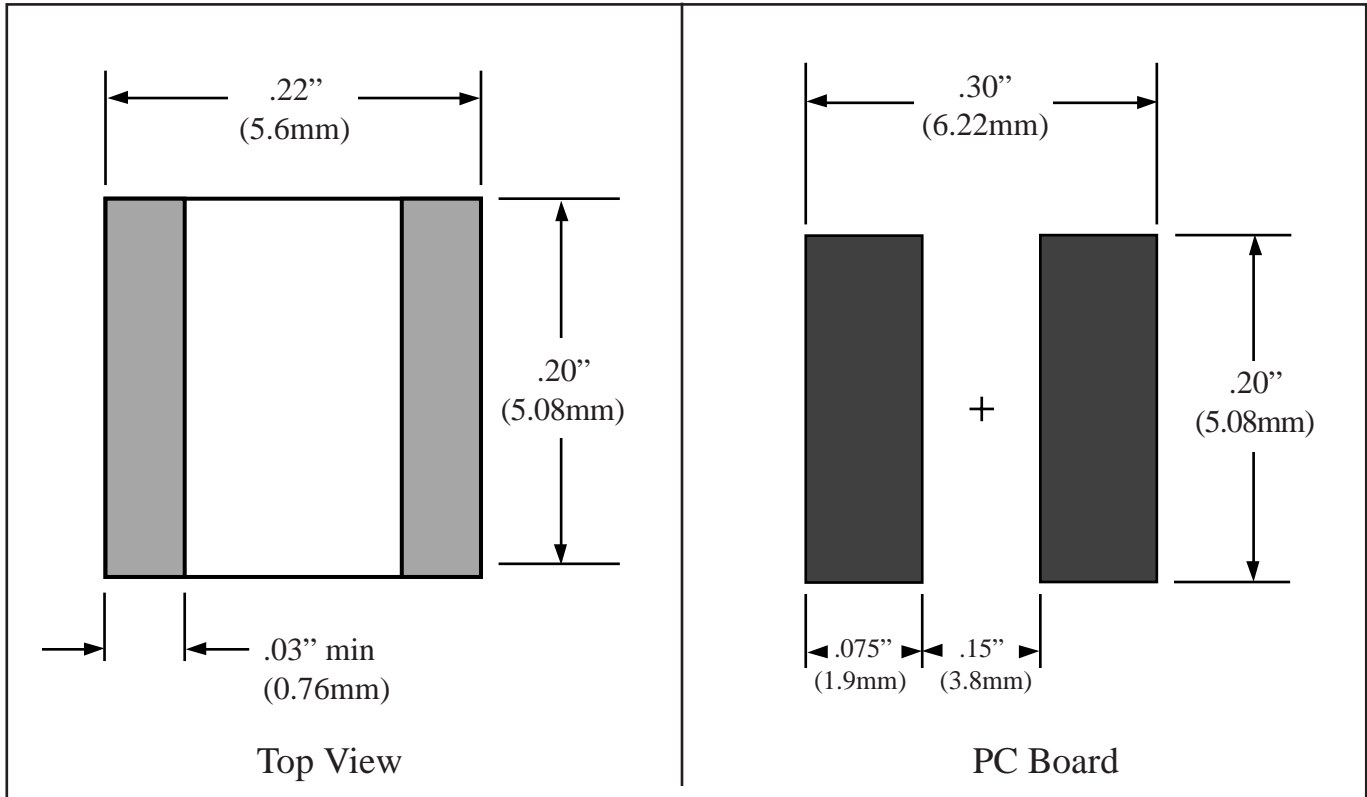


Part # **SC2220**
Chip Ceramic Capacitor
 Body Size **2220**

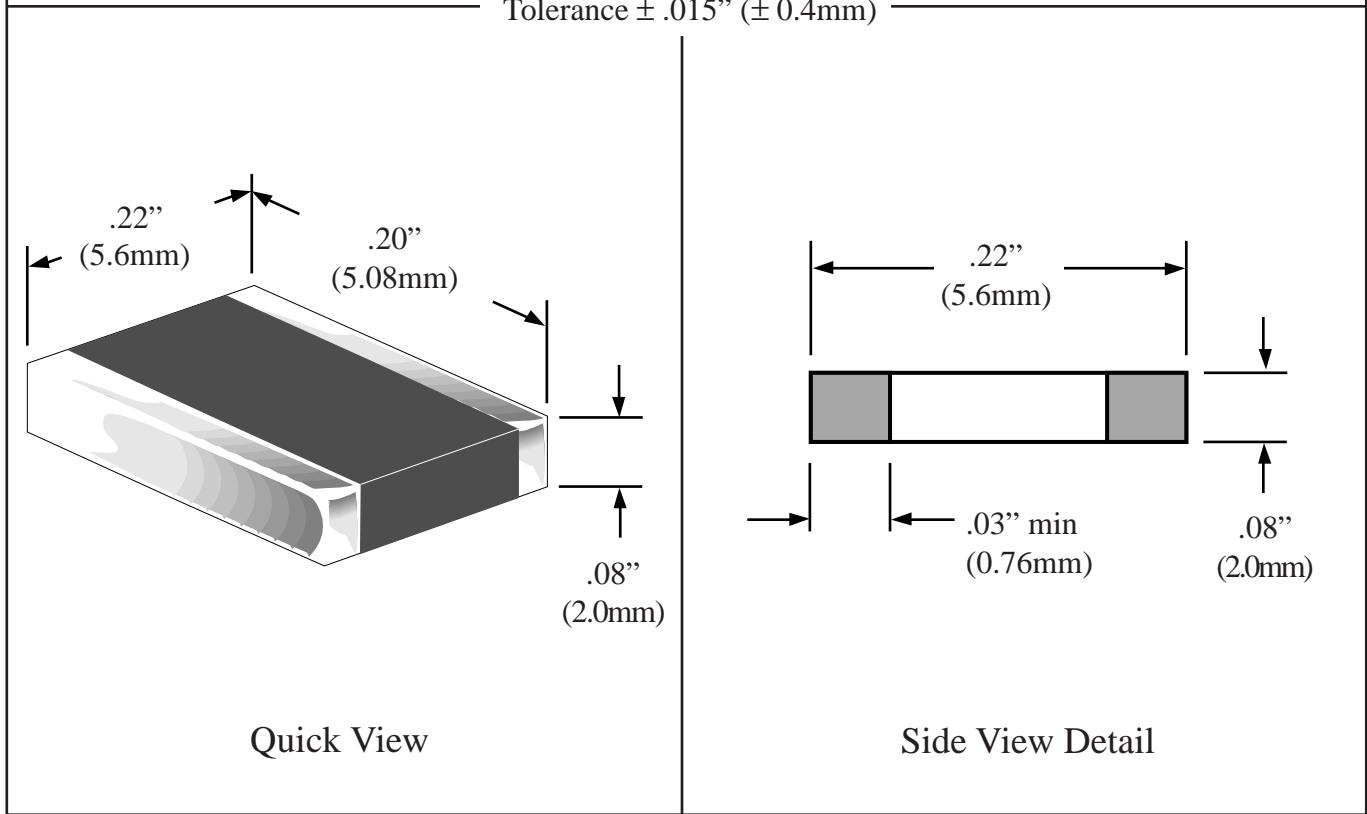
Dwg SC2220.pdf



Tel 1-714-898-3830
 info@topline.to



Tolerance $\pm .015"$ ($\pm 0.4\text{mm}$)

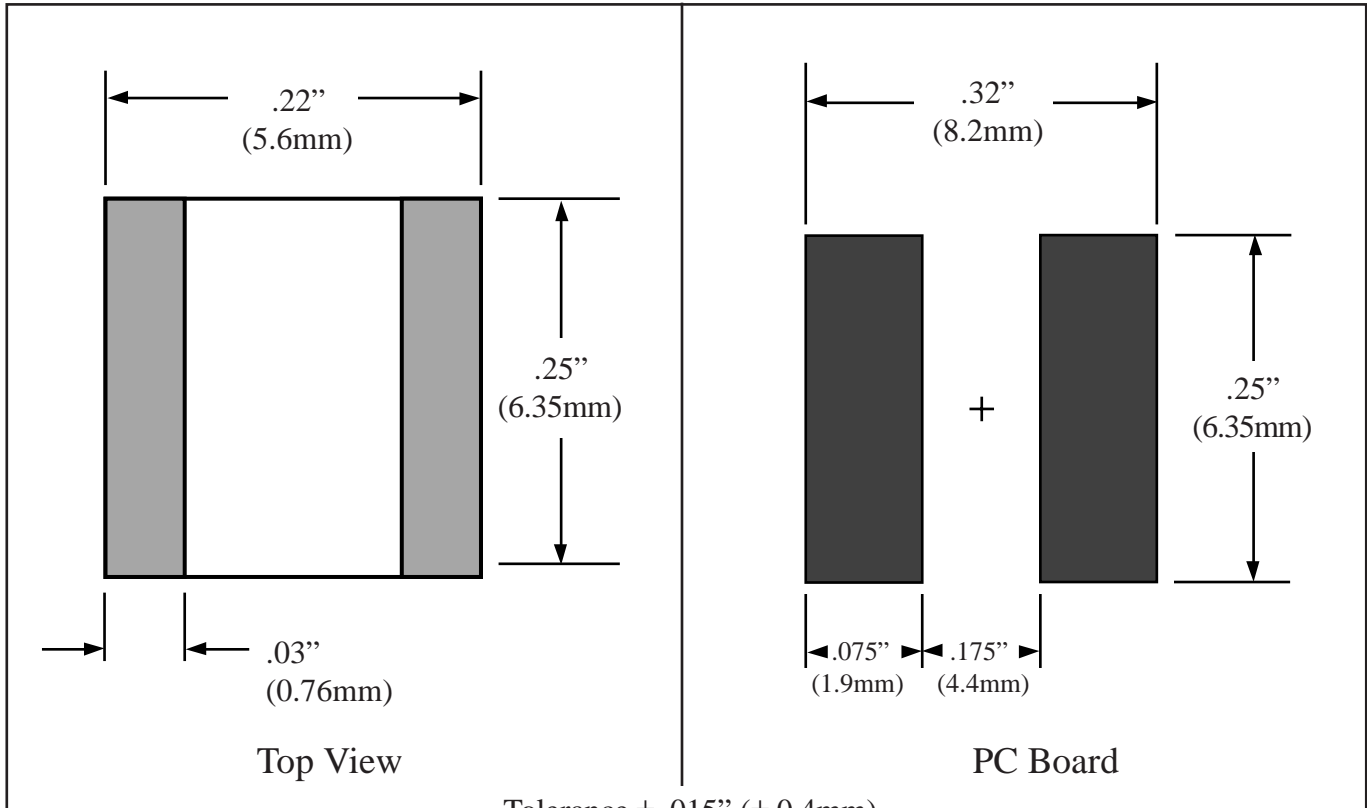


Part # **SC2225**
Chip Ceramic Capacitor
 Body Size **2225**

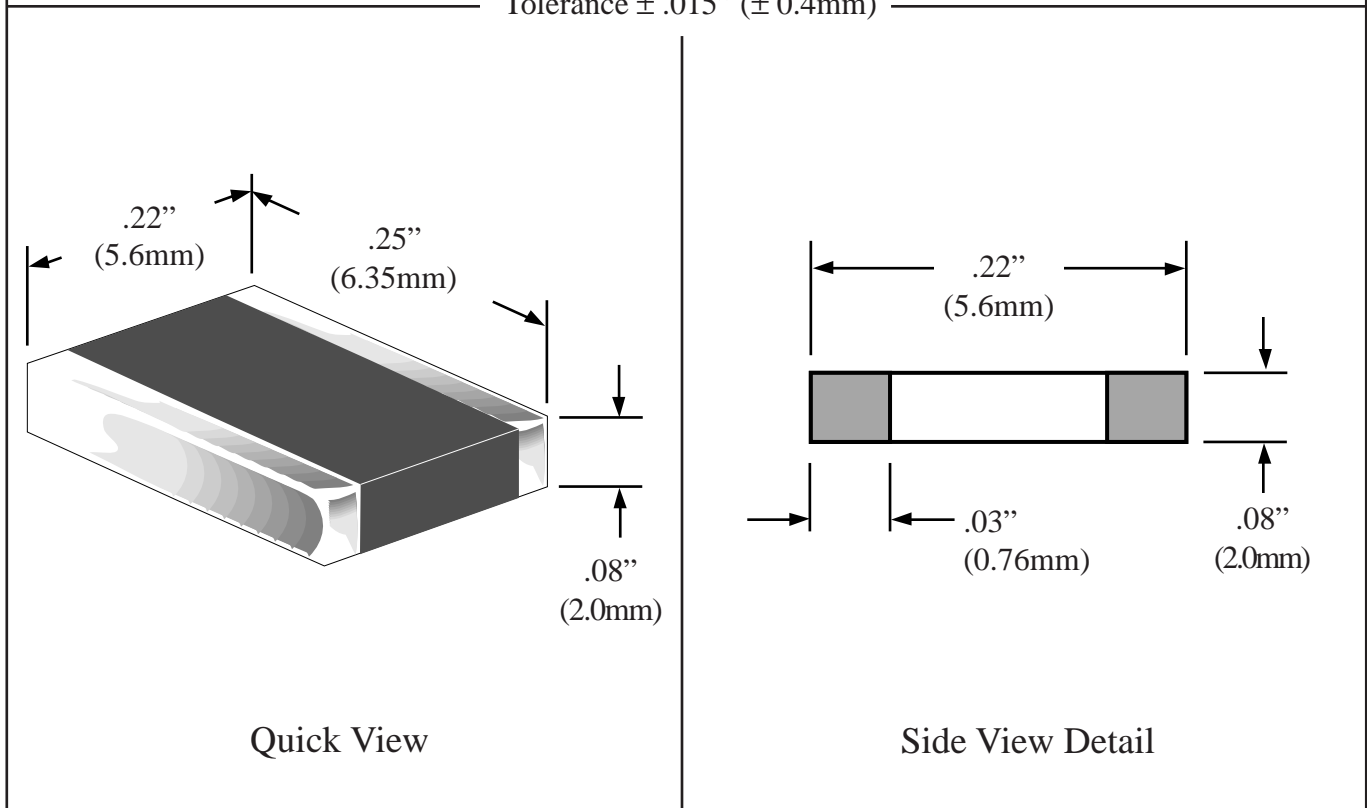
Dwg SC2225.pdf



Tel 1-714-898-3830
 info@topline.to



Tolerance $\pm .015"$ ($\pm 0.4\text{mm}$)



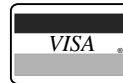


2001 Dummy Parts

HOW TO ORDER

PAYMENT TERMS

- Credit Terms (Net 30) for established customers.
- American Express, JCB, Mastercard and VISA accepted.



CONFIRMING PURCHASE ORDERS

- Confirming purchase orders are required for all orders over \$500.



MINIMUM PER ORDER

- USA/Canada \$50 minimum. • Export \$1000.

F.O.B. POINT AND SHIPPING

- F.O.B. Garden Grove, California. Please specify preferred method of shipment when placing order.

TopLine™

e-mail sales@topline.tv

www.dummy.tv

7331A Garden Grove Blvd, Garden Grove, CA 92841 USA

Toll Free USA/Canada 1-800-776-9888

Tel 1-714-898-3830

Fax 1-714-891-0321

© 2001. TopLine. All Rights Reserved

This catalog, or any parts thereof, must not be reproduced in any form without written permission of TopLine.

Reprint July 2001