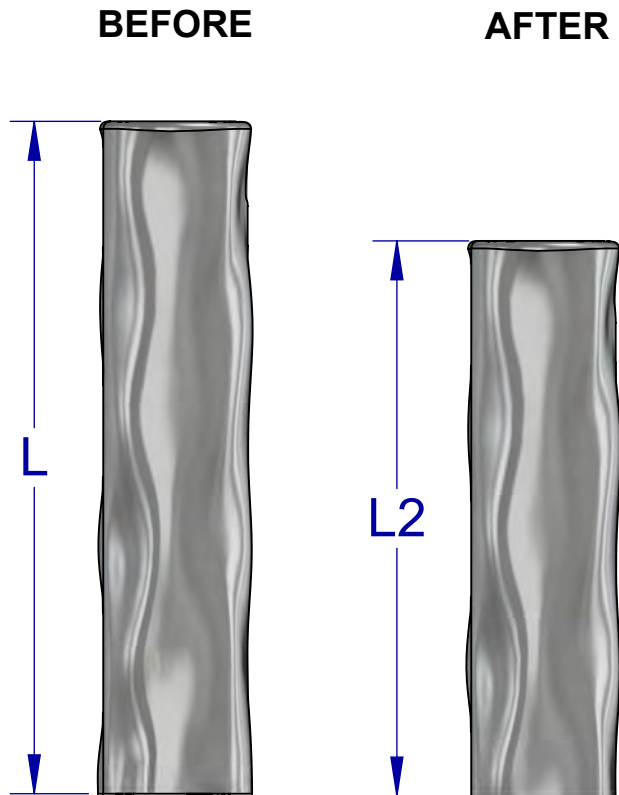


COLUMN PLANARIZATION (TRIMMING)



L (Note 1)		L2 (Note 2)	
mm	Inch	mm	Inch
0.80mm	0.031"	0.61 ~ 0.71mm	0.024 ~ 0.028"
0.90mm	0.035"	0.71 ~ 0.79mm	0.028 ~ 0.031"
1.0mm	0.040"	0.76 ~ 0.89mm	0.030 ~ 0.035"
1.27mm	0.050"	1.00 ~ 1.14mm	0.040 ~ 0.045"
1.52mm	0.060"	1.27 ~ 1.40mm	0.050 ~ 0.055"
1.60mm	0.063"	1.35 ~ 1.45mm	0.053 ~ 0.057"
1.70mm	0.067"	1.45 ~ 1.58mm	0.057 ~ 0.062"
1.80mm	0.070"	1.52 ~ 1.65mm	0.060 ~ 0.065"
1.90mm	0.075"	1.65 ~ 1.75mm	0.065 ~ 0.070"
2.21mm	0.087"	1.95 ~ 2.08mm	0.077 ~ 0.082"
2.31mm	0.091"	2.05 ~ 2.21mm	0.081 ~ 0.087"
2.36mm	0.093"	2.11 ~ 2.21mm	0.083 ~ 0.087"
2.41mm	0.095"	2.11 ~ 2.21mm	0.083 ~ 0.087"
2.54mm	0.100"	2.21 ~ 2.41mm	0.087 ~ 0.095"

CONTACT TOPLINE FOR OTHER LENGTHS

NOTES:

1. COLUMN LENGTH AS DELIVERED.
2. COLUMN PLANARIZATION (TRIM) AFTER ATTACHMENT TO LGA CHIP PACKAGE.

TopLine[®]			
TITLE		BEFORE & AFTER TRIMMING BRAIDED COLUMNS	
SCALE	SIZE	DRAWING NO.	REV
35:1	A	710000	A
DO NOT SCALE DRAWING			SHEET 1 OF 1